



Dealers Industrial Equipment

No.:

Date: 28-SEP-2016

Customer :

TECHNICAL PROPOSAL

Three-phase induction motor - Squirrel cage rotor

Product line : Three-Phase : Explosion Proof - High Efficiency

Catalog Number : 12509XP3G504

List Price : \$28,717

Notes:

Downloaded from <http://dealerselectric.com>

Generated for Model #12509XP3G504

Performed by:

Checked:



Dealers Industrial Equipment

No.:

Date: 28-SEP-2016

DATA SHEET Three-phase induction motor - Squirrel cage rotor

Customer :
 Product line : Three-Phase : Explosion Proof - High Efficiency

Frame : 504T
 Output : 125 HP
 Frequency : 60 Hz
 Poles : 8
 Full load speed : 890 rpm
 Slip : 1.11 %
 Voltage : 460 V
 Rated current : 152 A
 Locked rotor current : 927 A
 Locked rotor current (I_L/I_n) : 6.1
 No-load current : 57.5 A
 Full load torque : 728 lb.ft
 Locked rotor torque : 170 %
 Breakdown torque : 200 %
 Design : B
 Insulation class : F
 Temperature rise : 80 K
 Locked rotor time : 21 s (hot)
 Service factor : 1.15
 Duty cycle : S1
 Ambient temperature : -20°C - +40°C
 Altitude : 1000 m
 Degree of Protection : IP54
 Approximate weight : 2342 lb
 Moment of inertia : 103.62 sq.ft.lb
 Noise level : 66 dB(A)

	D.E.	N.D.E.
Bearings	6319 C3	6316 C3
Regreasing interval	14016 h	15904 h
Grease amount	45 g	34 g

Load	Power factor	Efficiency (%)
100%	0.82	93.6
75%	0.79	93.6
50%	0.70	93.0

Notes:
 Downloaded from <http://dealerselectric.com>
 Generated for Model #12509XP3G504

Performed by

Checked



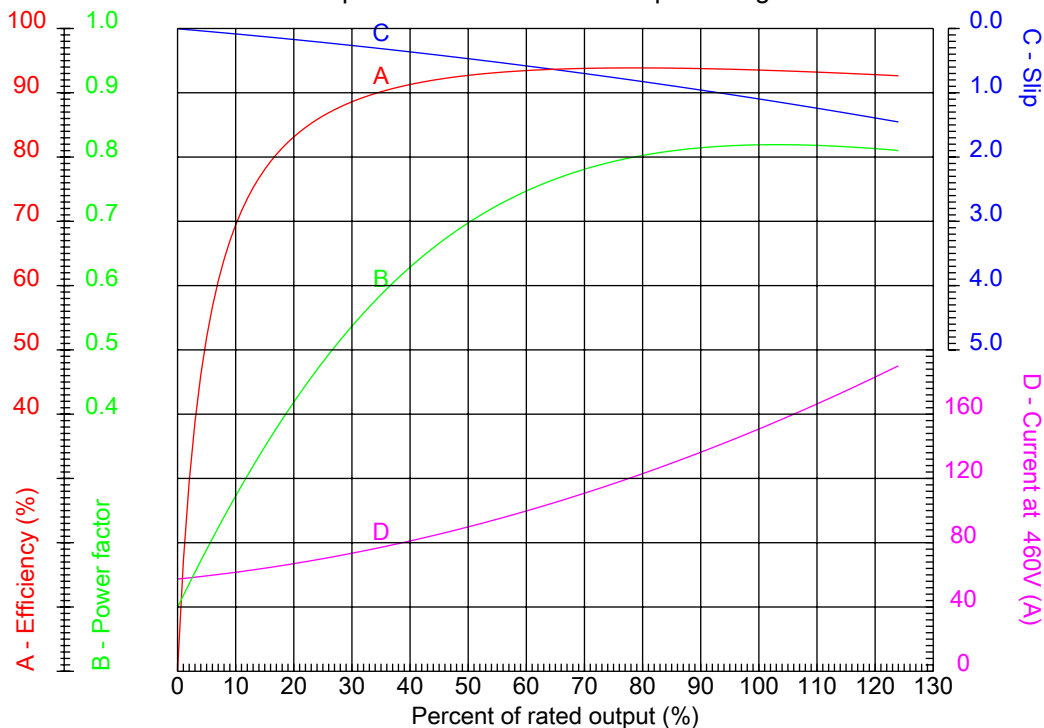
Dealers Industrial Equipment

No.:

Date: 28-SEP-2016

PERFORMANCE CURVES RELATED TO RATED OUTPUT

Three-phase induction motor - Squirrel cage rotor



Customer :
 Product line : Three-Phase : Explosion Proof - High Efficiency

Frame	: 504T	Locked rotor current (I _l /I _n)	: 6.1
Output	: 125 HP	Duty cycle	: S1
Frequency	: 60 Hz	Service factor	: 1.15
Full load speed	: 890 rpm	Design	: B
Voltage	: 460 V	Locked rotor torque	: 170 %
Rated current	: 152 A	Breakdown torque	: 200 %
Insulation class	: F		

Notes:
 Downloaded from <http://dealerselectric.com>
 Generated for Model #12509XP3G504

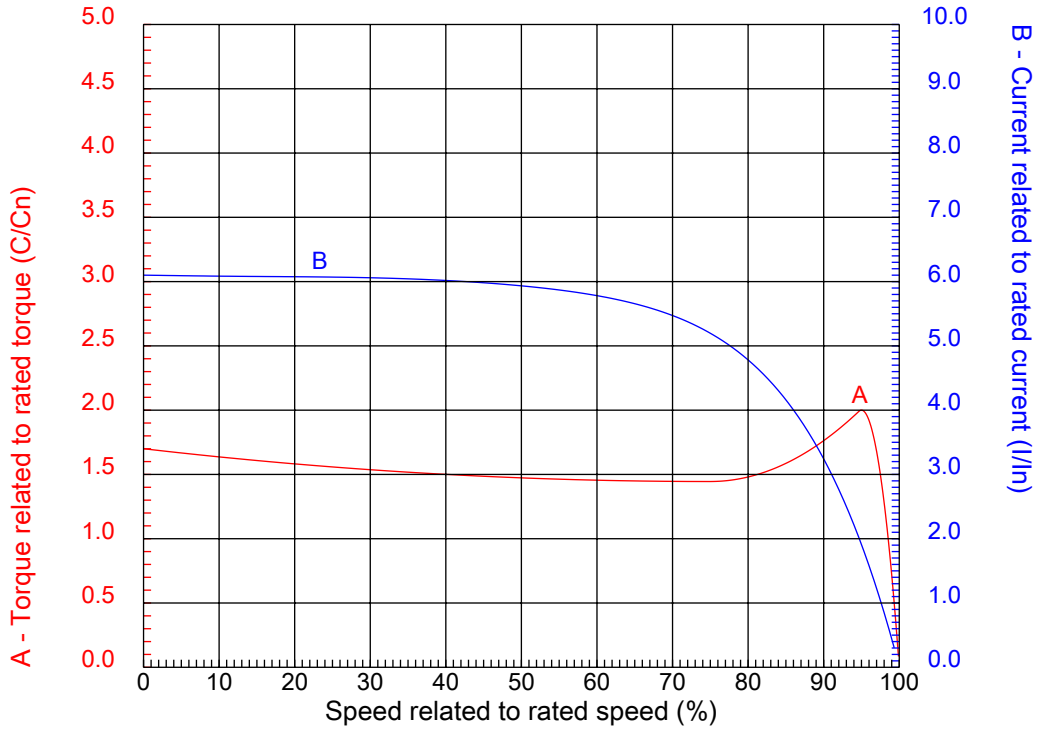
Performed by

Checked



CHARACTERISTIC CURVES RELATED TO SPEED

Three-phase induction motor - Squirrel cage rotor



Customer :
Product line : Three-Phase : Explosion Proof - High Efficiency

Frame	: 504T	Locked rotor current (I _l /I _n)	: 6.1
Output	: 125 HP	Duty cycle	: S1
Frequency	: 60 Hz	Service factor	: 1.15
Full load speed	: 890 rpm	Design	: B
Voltage	: 460 V	Locked rotor torque	: 170 %
Rated current	: 152 A	Breakdown torque	: 200 %
Insulation class	: F		

Notes:
Downloaded from <http://dealerselectric.com>
Generated for Model #12509XP3G504

Performed by

Checked

1 2 3 4 5 6 7 8

A

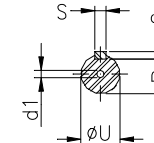
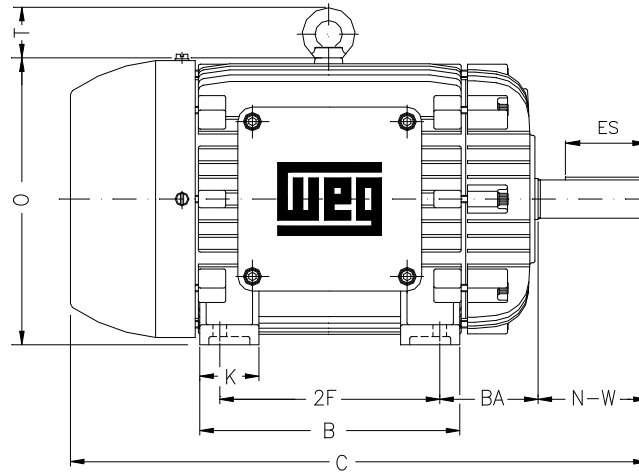
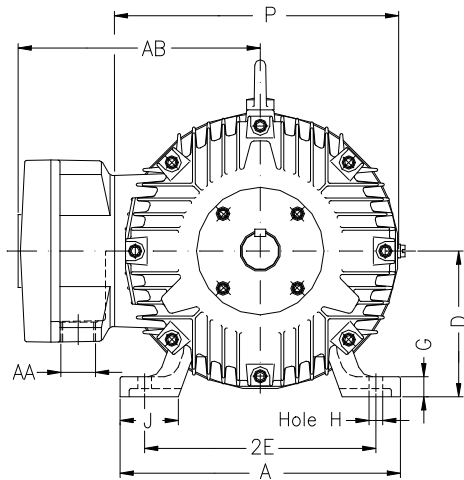
B

C

D

E

F



Notes: Downloaded from <http://dealerselectric.com>
Generated for Model #12509XP3G504

Performed by:

Checked:

Customer:

Three-Phase : Explosion Proof - High Efficiency

Three-phase induction motor
Frame 504T - IP54

28-SEP-2016



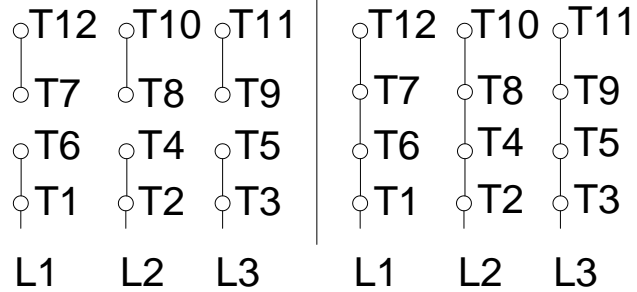
2E 20.000	A 24.724	2F 16.000/18.000	B 21.969	BA 8.500
J 4.724	K 5.984	P 24.212	ES 8.661	depth 0.875
S 0.875	N-W 10.630	U 3.625	R 3.134	AB 21.850
D 12.500	G 2.146	O 25.197	H 1.250	C 49.445
AA 2xNPT 3"	d1 DUNC 3/4"-10	d2 DUNC 3/4"-10	T 3.543	

A
B
C
D
E
F

PART-WINDING

START

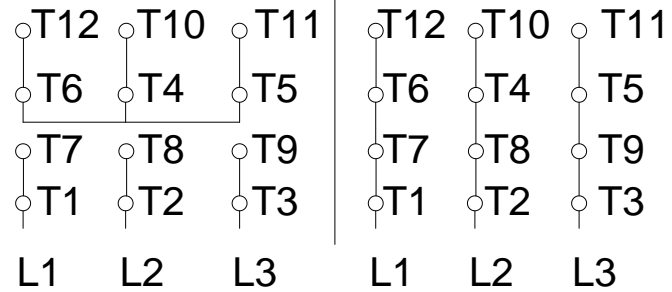
RUN



WYE-DELTA

START

RUN



Notes: Downloaded from http://dealerselectric.com Generated for Model #12509XP3G504		
Performed by:		
Checked:		
Customer:		
Three-Phase : Explosion Proof - High Efficiency		
Three-phase induction motor Frame 504T - IP54	28-SEP-2016	