



Dealers Industrial Equipment

No.:

Date: 28-SEP-2016

Customer :

TECHNICAL PROPOSAL

Three-phase induction motor - Squirrel cage rotor

Product line : W22 High Efficiency

Catalog Number : 12509EP3E447T-W22

List Price : \$25,308

Notes:

Downloaded from <http://dealerselectric.com>

Generated for Model #12509EP3E447T-W22

Performed by:

Checked:



Dealers Industrial Equipment

No.:

Date: 28-SEP-2016

DATA SHEET Three-phase induction motor - Squirrel cage rotor

Customer :
Product line : W22 High Efficiency

Frame : 445/7T
Output : 125 HP
Frequency : 60 Hz
Poles : 8
Full load speed : 885 rpm
Slip : 1.67 %
Voltage : 230/460 V
Rated current : 302/151 A
Locked rotor current : 1750/876 A
Locked rotor current (I_L/I_n) : 5.8
No-load current : 120/60.0 A
Full load torque : 732 lb.ft
Locked rotor torque : 180 %
Breakdown torque : 200 %
Design : B
Insulation class : F
Temperature rise : 80 K
Locked rotor time : 15 s (hot)
Service factor : 1.15
Duty cycle : S1
Ambient temperature : -20°C - +40°C
Altitude : 1000 m
Degree of Protection : IP55
Approximate weight : 1806 lb
Moment of inertia : 103.62 sq.ft.lb
Noise level : 63 dB(A)

| | D.E. | N.D.E. |
|---------------------|---------|---------|
| Bearings | 6319 C3 | 6316 C3 |
| Regreasing interval | 17000 h | 20000 h |
| Grease amount | 45 g | 34 g |

| Load | Power factor | Efficiency (%) |
|------|--------------|----------------|
| 100% | 0.80 | 93.6 |
| 75% | 0.76 | 94.1 |
| 50% | 0.67 | 93.6 |

Notes:
Downloaded from <http://dealerselectric.com>
Generated for Model #12509EP3E447T-W22

Performed by

Checked



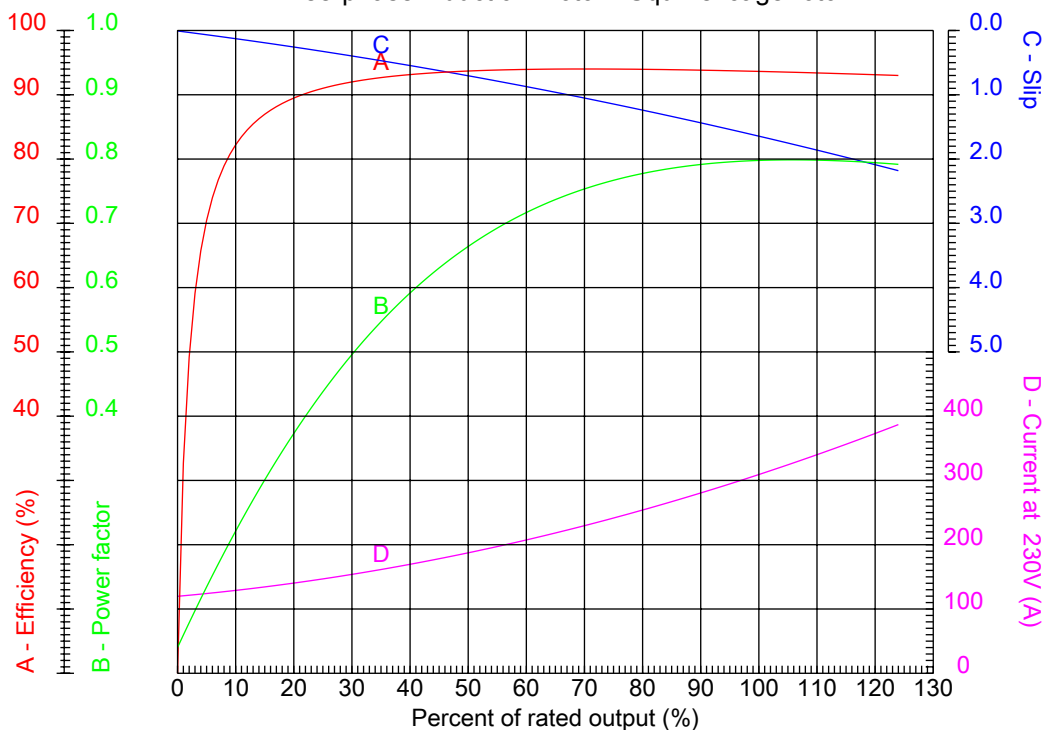
Dealers Industrial Equipment

No.:

Date: 28-SEP-2016

PERFORMANCE CURVES RELATED TO RATED OUTPUT

Three-phase induction motor - Squirrel cage rotor



Customer :
Product line : W22 High Efficiency

| | | | |
|------------------|-------------|--|---------|
| Frame | : 445/7T | Locked rotor current (I _l /I _n) | : 5.8 |
| Output | : 125 HP | Duty cycle | : S1 |
| Frequency | : 60 Hz | Service factor | : 1.15 |
| Full load speed | : 885 rpm | Design | : B |
| Voltage | : 230/460 V | Locked rotor torque | : 180 % |
| Rated current | : 302/151 A | Breakdown torque | : 200 % |
| Insulation class | : F | | |

Notes:
Downloaded from <http://dealerselectric.com>
Generated for Model #12509EP3E447T-W22

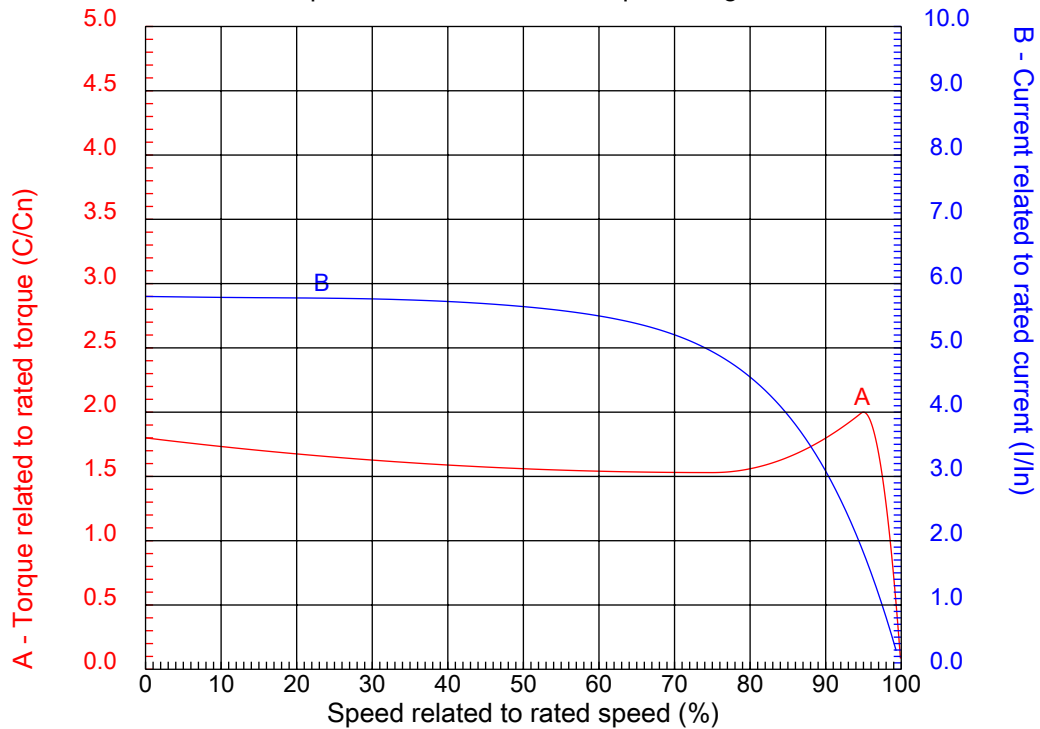
Performed by

Checked



CHARACTERISTIC CURVES RELATED TO SPEED

Three-phase induction motor - Squirrel cage rotor



Customer :
Product line : W22 High Efficiency

| | | | |
|------------------|-------------|--|---------|
| Frame | : 445/7T | Locked rotor current (I _l /I _n) | : 5.8 |
| Output | : 125 HP | Duty cycle | : S1 |
| Frequency | : 60 Hz | Service factor | : 1.15 |
| Full load speed | : 885 rpm | Design | : B |
| Voltage | : 230/460 V | Locked rotor torque | : 180 % |
| Rated current | : 302/151 A | Breakdown torque | : 200 % |
| Insulation class | : F | | |

Notes:
Downloaded from <http://dealerselectric.com>
Generated for Model #12509EP3E447T-W22

Performed by

Checked

1 2 3 4 5 6 7 8

A

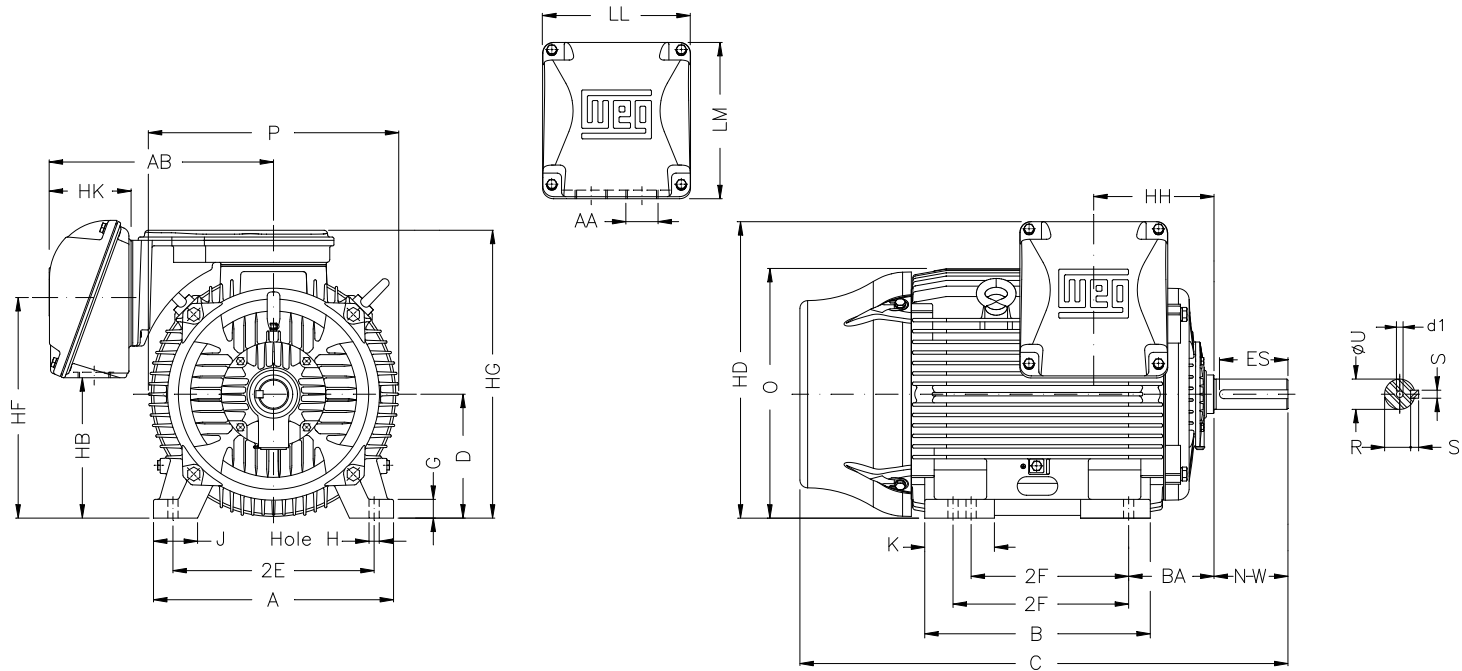
B

C

D

E

F



Notes: Downloaded from <http://dealerselectric.com>
Generated for Model #12509EP3E447T-W22

Performed by:

Checked:

Customer:

W22 High Efficiency

Three-phase induction motor
Frame 445/7T - IP55

28-SEP-2016



| | | | | |
|---------------------|--------------|--------------|----------------|--------------------|
| 2E 18.000 | J 3.937 | A 21.929 | P 23.583 | AB 20.559 |
| 2F 16.500/20.000 | K 7.244 | B 23.897 | BA 7.500 | U 3.375 |
| N-W 8.500 | ES 7.087 | S 0.875 | R 2.880 | depth 0.875 |
| D 11.000 | G 1.654 | HB 12.488 | O 22.795 | HD 27.527 |
| HF 20.724 | HG 26.830 | HH 11.811 | HK 6.929 | H 0.810 |
| C 48.701 | LL 14.921 | LM 15.039 | AA 2xNPT 3" | d1 DUNC 3/4"-10 |