



Dealers Industrial Equipment

No.:

Date: 28-SEP-2016

Customer :

TECHNICAL PROPOSAL

Three-phase induction motor - Squirrel cage rotor

Product line : Three-Phase: W22 IE3 IEC Tru-Metric - TEFC (IP55) Cast Iron Frame

Catalog Number : 11018ET3Y280S/M-W22

List Price : \$17,078

Notes:

Downloaded from <http://dealerselectric.com>

Generated for Model #11018ET3Y280S/M-W22

Performed by:

Checked:



# Dealers Industrial Equipment

No.:

Date: 28-SEP-2016

## DATA SHEET Three-phase induction motor - Squirrel cage rotor

Customer :  
 Product line : Three-Phase: W22 IE3 IEC Tru-Metric - TEFC (IP55) Cast Iron Frame

Frame : 280S/M  
 Output : 150 HP  
 Frequency : 60 Hz  
 Poles : 4  
 Full load speed : 1785 rpm  
 Slip : 0.83 %  
 Voltage : 460 V  
 Rated current : 170 A  
 Locked rotor current : 1340 A  
 Locked rotor current (I<sub>L</sub>/I<sub>n</sub>) : 7.9  
 No-load current : 64.2 A  
 Full load torque : 435 lb.ft  
 Locked rotor torque : 280 %  
 Breakdown torque : 300 %  
 Design : ---  
 Insulation class : F  
 Temperature rise : 80 K  
 Locked rotor time : 44 s (hot)  
 Service factor : 1.25  
 Duty cycle : S1  
 Ambient temperature : -20°C - +40°C  
 Altitude : 1000 m  
 Degree of Protection : IP55  
 Approximate weight : 1949 lb  
 Moment of inertia : 77.069 sq.ft.lb  
 Noise level : 73 dB(A)

|                     | D.E.    | N.D.E.  |
|---------------------|---------|---------|
| Bearings            | 6316 C3 | 6316 C3 |
| Regreasing interval | 10000 h | 10000 h |
| Grease amount       | 34 g    | 34 g    |

| Load | Power factor | Efficiency (%) |
|------|--------------|----------------|
| 100% | 0.85         | 95.8           |
| 75%  | 0.81         | 95.4           |
| 50%  | 0.72         | 94.5           |

Notes:  
 Downloaded from <http://dealerselectric.com>  
 Generated for Model #11018ET3Y280S/M-W22

Performed by

Checked



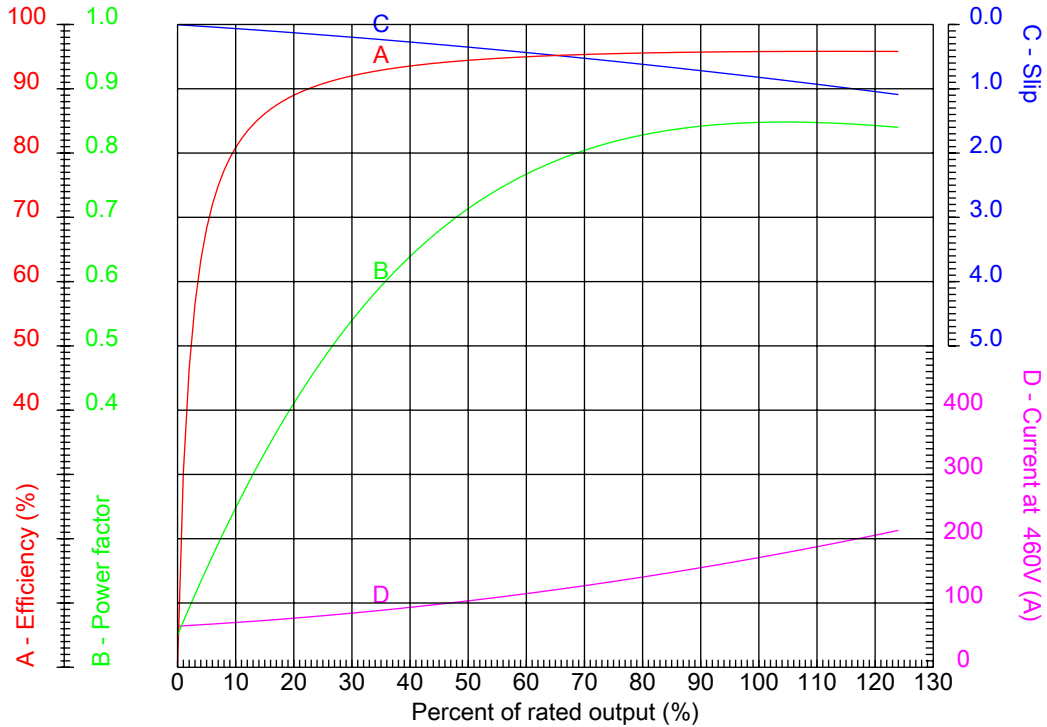
# Dealers Industrial Equipment

No.:

Date: 28-SEP-2016

## PERFORMANCE CURVES RELATED TO RATED OUTPUT

Three-phase induction motor - Squirrel cage rotor



Customer :  
 Product line : Three-Phase: W22 IE3 IEC Tru-Metric - TEFC (IP55) Cast Iron Frame

|                            |  |
|----------------------------|--|
| Frame : 280S/M             | Locked rotor current (I <sub>l</sub> /I <sub>n</sub> ) : 7.9 |
| Output : 150 HP            | Duty cycle : S1  |
| Frequency : 60 Hz          | Service factor : 1.25  |
| Full load speed : 1785 rpm | Design : ---   |
| Voltage : 460 V            | Locked rotor torque : 280 %                                  |
| Rated current : 170 A      | Breakdown torque : 300 %                                     |
| Insulation class : F       |  |

Notes:  
 Downloaded from <http://dealerselectric.com>  
 Generated for Model #11018ET3Y280S/M-W22

Performed by

Checked



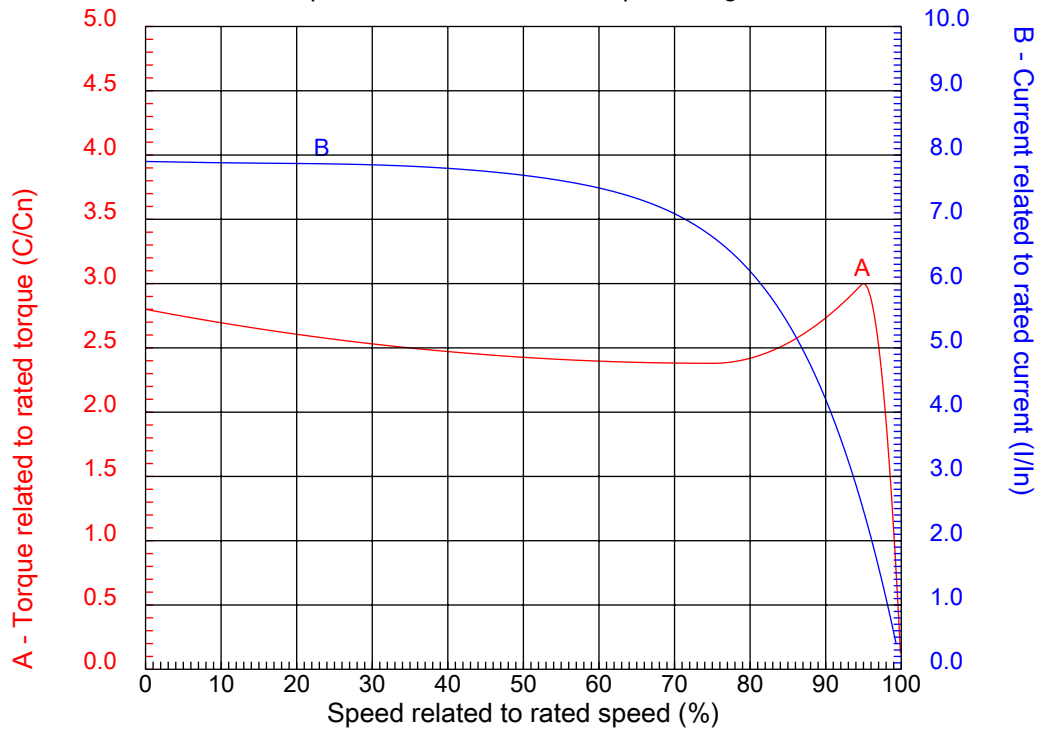
# Dealers Industrial Equipment

No.:

Date: 28-SEP-2016

## CHARACTERISTIC CURVES RELATED TO SPEED

Three-phase induction motor - Squirrel cage rotor



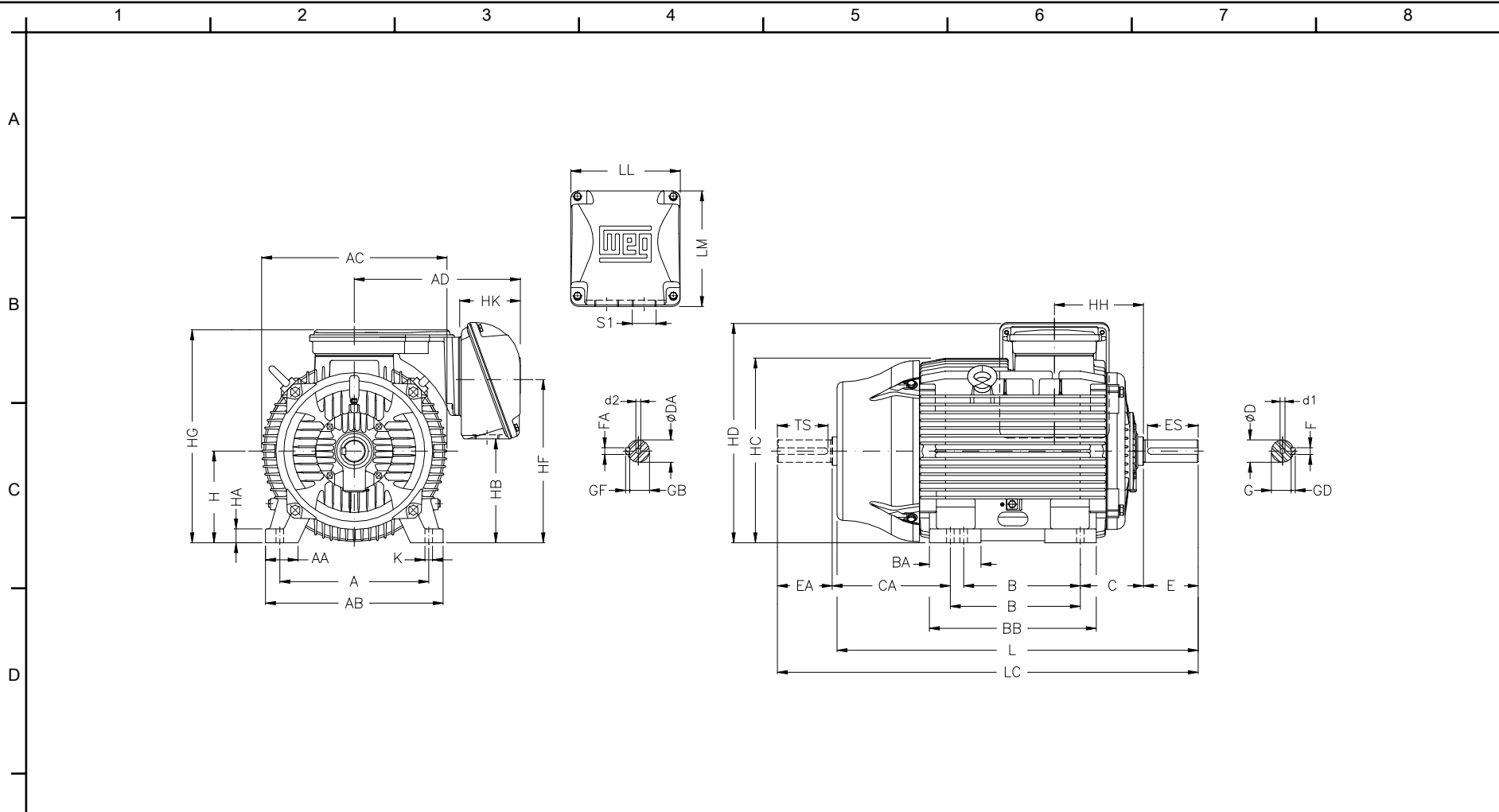
Customer :  
Product line : Three-Phase: W22 IE3 IEC Tru-Metric - TEFC (IP55) Cast Iron Frame

|                  |            |  |         |
|------------------|------------|--|---------|
| Frame            | : 280S/M   | Locked rotor current (I <sub>l</sub> /I <sub>n</sub> ) | : 7.9   |
| Output           | : 150 HP   | Duty cycle   | : S1    |
| Frequency        | : 60 Hz    | Service factor   | : 1.25  |
| Full load speed  | : 1785 rpm | Design   | : ---   |
| Voltage          | : 460 V    | Locked rotor torque                                    | : 280 % |
| Rated current    | : 170 A    | Breakdown torque                                       | : 300 % |
| Insulation class | : F        |  |         |

Notes:  
Downloaded from <http://dealerselectric.com>  
Generated for Model #11018ET3Y280S/M-W22

Performed by

Checked



Notes: Downloaded from <http://dealerselectric.com>  
 Generated for Model #11018ET3Y280S/M-W22

|         |      |      |      |           |
|---------|------|------|------|-----------|
| A       | AA   | AB   | AC   | AD        |
| 457     | 100  | 557  | 599  | 445       |
| B       | BA   | BB   | C    | CA        |
| 368/419 | 151  | 517  | 190  | 385/334   |
| D       | E    | ES   | F    | G         |
| 75m6    | 140  | 125  | 20   | 67.5      |
| GD      | DA   | EA   | TS   | FA        |
| 12      | 65m6 | 140  | 125  | 18        |
| GB      | GF   | H    | HA   | HC        |
| 58      | 11   | 280  | 42   | 580       |
| HD      | K    | L    | LC   | S1        |
| 700     | 24   | 1071 | 1223 | 2xM63x1,5 |
| d1      | d2   |      |      |           |
| DM20    | DM20 |      |      |           |

Performed by:


Checked:

Customer:

Three-Phase: W22 IE3 IEC Tru-Metric - TEFC (IP55) Cast Iron Frame

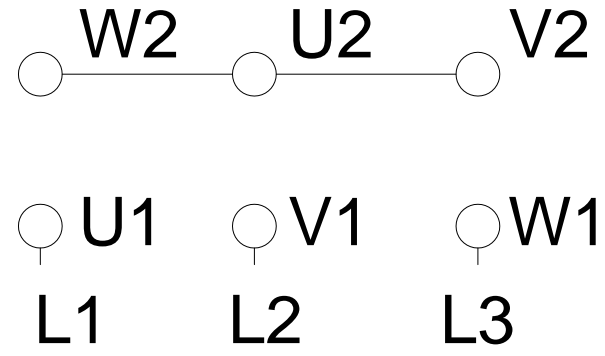
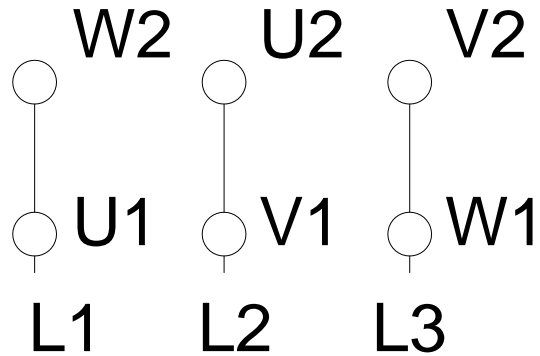
Three-phase induction motor  
 Frame 280S/M - IP55

28-SEP-2016



# LOW VOLTAGE

# HIGH VOLTAGE



Notes: Downloaded from <http://dealerselectric.com>  
Generated for Model #11018ET3Y280S/M-W22

Performed by:

Checked:

Customer:

Three-Phase: W22 IE3 IEC Tru-Metric - TEFC (IP55) Cast Iron Frame

Three-phase induction motor  
Frame 280S/M - IP55

28-SEP-2016

