



Dealers Industrial Equipment

No.:

Date: 28-SEP-2016

Customer :

TECHNICAL PROPOSAL

Three-phase induction motor - Squirrel cage rotor

Product line : Close Coupled Pump : Three-Phase - "JM" Type - ODP - NEMA Premium

Catalog Number : 10036OT3G365JM

List Price : \$8,683

Notes:

Downloaded from <http://dealerselectric.com>

Generated for Model #10036OT3G365JM

Performed by:

Checked:



Dealers Industrial Equipment

No.:

Date: 28-SEP-2016

DATA SHEET Three-phase induction motor - Squirrel cage rotor

Customer :
 Product line : Close Coupled Pump : Three-Phase - "JM" Type - ODP - NEMA Premium

Frame : 364/5JM
 Output : 100 HP
 Frequency : 60 Hz
 Poles : 2
 Full load speed : 3560 rpm
 Slip : 1.11 %
 Voltage : 460 V
 Rated current : 112 A
 Locked rotor current : 750 A
 Locked rotor current (I_L/I_n) : 6.7
 No-load current : 30.0 A
 Full load torque : 146 lb.ft
 Locked rotor torque : 190 %
 Breakdown torque : 250 %
 Design : B
 Insulation class : F
 Temperature rise : 80 K
 Locked rotor time : 12 s (hot)
 Service factor : 1.15
 Duty cycle : S1
 Ambient temperature : -20°C - +40°C
 Altitude : 1000 m
 Degree of Protection : IP23
 Approximate weight : 825 lb
 Moment of inertia : 8.3008 sq.ft.lb
 Noise level : 83 dB(A)

	D.E.	N.D.E.	Load	Power factor	Efficiency (%)
Bearings	6314 C3	6314 C3	100%	0.89	94.5
Regreasing interval	14418 h	14418 h	75%	0.89	94.5
Grease amount	27 g	27 g	50%	0.84	94.1

Notes:
 Downloaded from <http://dealerselectric.com>
 Generated for Model #10036OT3G365JM

Performed by

Checked



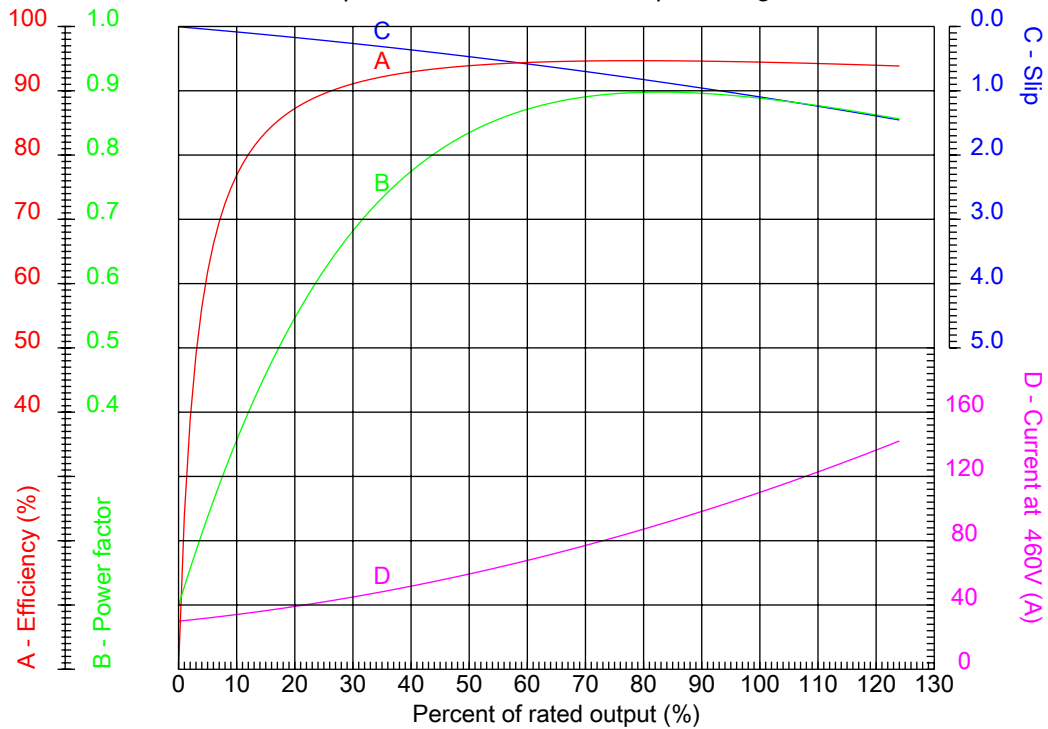
Dealers Industrial Equipment

No.:

Date: 28-SEP-2016

PERFORMANCE CURVES RELATED TO RATED OUTPUT

Three-phase induction motor - Squirrel cage rotor



Customer :
Product line : Close Coupled Pump : Three-Phase - "JM" Type - ODP - NEMA Premium

Frame : 364/5JM	Locked rotor current (I _l /I _n) : 6.7
Output : 100 HP	Duty cycle : S1
Frequency : 60 Hz	Service factor : 1.15
Full load speed : 3560 rpm	Design : B
Voltage : 460 V	Locked rotor torque : 190 %
Rated current : 112 A	Breakdown torque : 250 %
Insulation class : F	

Notes:
Downloaded from <http://dealerselectric.com>
Generated for Model #10036OT3G365JM

Performed by

Checked



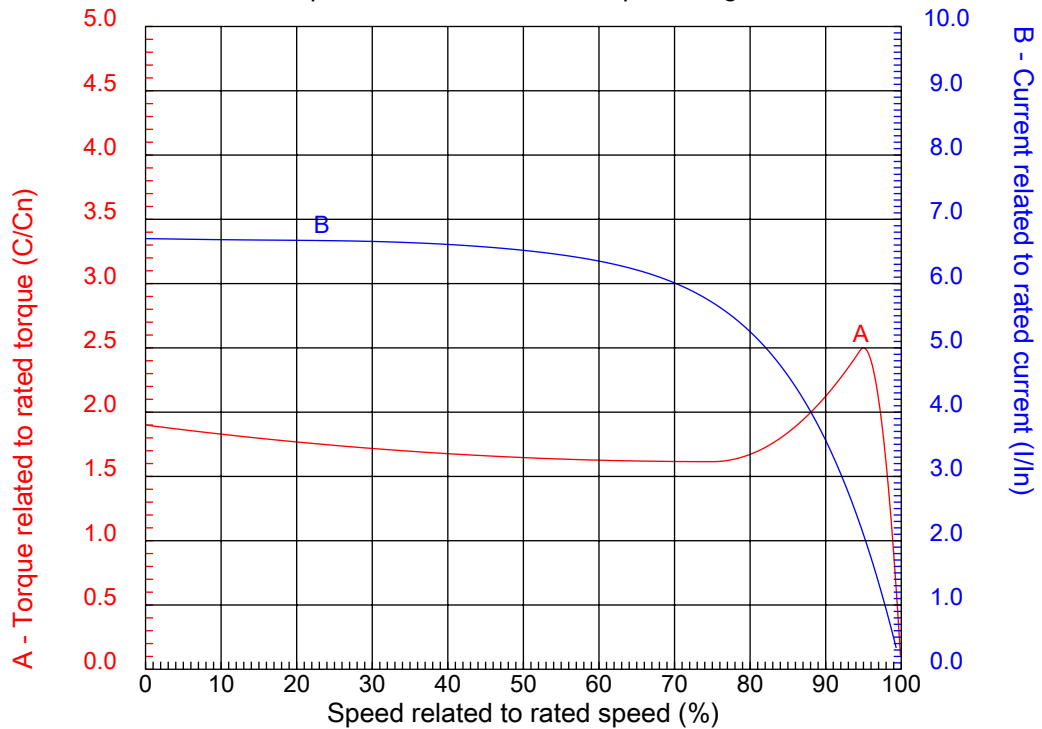
Dealers Industrial Equipment

No.:

Date: 28-SEP-2016

CHARACTERISTIC CURVES RELATED TO SPEED

Three-phase induction motor - Squirrel cage rotor



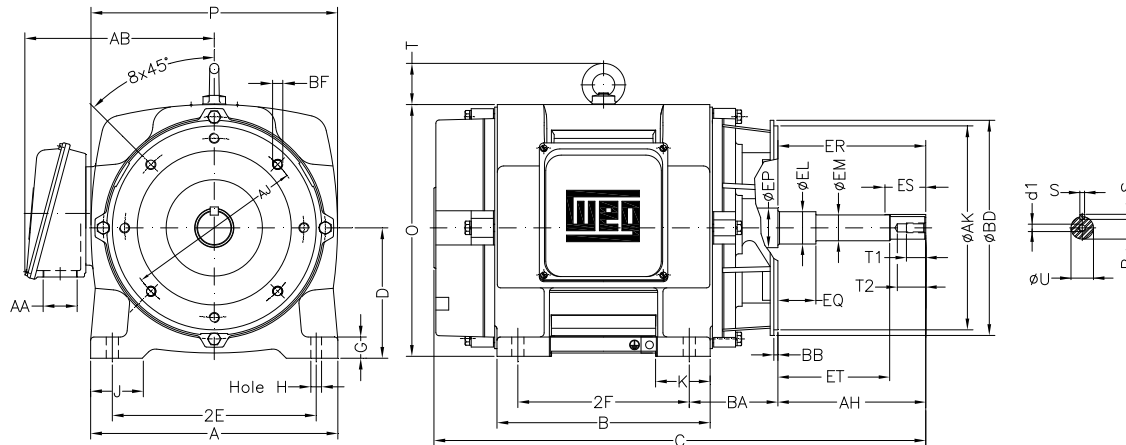
Customer :
Product line : Close Coupled Pump : Three-Phase - "JM" Type - ODP - NEMA Premium

Frame	: 364/5JM	Locked rotor current (I _l /I _n)	: 6.7
Output	: 100 HP	Duty cycle	: S1
Frequency	: 60 Hz	Service factor	: 1.15
Full load speed	: 3560 rpm	Design	: B
Voltage	: 460 V	Locked rotor torque	: 190 %
Rated current	: 112 A	Breakdown torque	: 250 %
Insulation class	: F		

Notes:
Downloaded from <http://dealerselectric.com>
Generated for Model #10036OT3G365JM

Performed by

Checked



Notes: Downloaded from <http://dealerselectric.com>
Generated for Model #100360T3G365JM

E	2E 14.000	A 17.170	2F 11.250/12.250	B 15.400	J 3.150
	BA 5.875	D 9.000	K 4.140	G 1.480	O 18.425
	P 17.874	T 2.795	AB 16.378	H 0.657	AA NPT 3"
	ER 5.250	EQ 0.630	ET 3.006	U 1.249	EM 1.375
	EL 1.750	S 0.250	EP 2.754	R 1.110	d1 EUNC 1/2"-13
F	ES 2.480	t1 0.984	t2 1.496	C 29.139	CH 3.189
	Flange FC-279	AJ 11.000	AK 12.500	BD 13.189	BF UNC 5/8"x11
	BB 0.250	AH 5.250			

Performed by:


Checked:

Customer:

Close Coupled Pump : Three-Phase - "JM" Type - ODP - NEMA Premium

Three-phase induction motor
Frame 364/5JM - IP23

28-SEP-2016



1 2 3 4 5 6 7 8

A

PART-WINDING

WYE-DELTA

START

RUN

START

RUN

B



C

L1 L2 L3

L1 L2 L3

L1 L2 L3

L1 L2 L3

D

E

F

Notes: Downloaded from http://dealerselectric.com Generated for Model #100360T3G365JM		
Performed by:		
Checked:		
Customer:		
Close Coupled Pump : Three-Phase - "JM" Type - ODP - NEMA Premium		
Three-phase induction motor Frame 364/5JM - IP23	28-SEP-2016	