



Dealers Industrial Equipment

No.:

Date: 28-SEP-2016

Customer :

TECHNICAL PROPOSAL

Three-phase induction motor - Squirrel cage rotor

Product line : Close Coupled Pump : Three-Phase - "JM" Type - ODP - High Efficiency

Catalog Number : 10036OP3E365JM

List Price : \$7,005

Notes:

Downloaded from <http://dealerselectric.com>

Generated for Model #10036OP3E365JM

Performed by:

Checked:



Dealers Industrial Equipment

No.:

Date: 28-SEP-2016

DATA SHEET Three-phase induction motor - Squirrel cage rotor

Customer :
 Product line : Close Coupled Pump : Three-Phase - "JM" Type - ODP - High Efficiency

Frame : 365JM
 Output : 100 HP
 Frequency : 60 Hz
 Poles : 2
 Full load speed : 3560 rpm
 Slip : 1.11 %
 Voltage : 230/460 V
 Rated current : 236/118 A
 Locked rotor current : 1440/720 A
 Locked rotor current (I_L/I_n) : 6.1
 No-load current : 68.0/34.0 A
 Full load torque : 146 lb.ft
 Locked rotor torque : 190 %
 Breakdown torque : 270 %
 Design : B
 Insulation class : F
 Temperature rise : 80 K
 Locked rotor time : 13 s (hot)
 Service factor : 1.15
 Duty cycle : S1
 Ambient temperature : -20°C - +40°C
 Altitude : 1000 m
 Degree of Protection : IP23
 Approximate weight : 825 lb
 Moment of inertia : 7.8750 sq.ft.lb
 Noise level : 83 dB(A)

| | D.E. | N.D.E. |
|---------------------|---------|---------|
| Bearings | 6314 C3 | 6314 C3 |
| Regreasing interval | 14418 h | 14418 h |
| Grease amount | 27 g | 27 g |

| Load | Power factor | Efficiency (%) |
|------|--------------|----------------|
| 100% | 0.86 | 93.0 |
| 75% | 0.84 | 93.0 |
| 50% | 0.82 | 93.0 |

Notes:
 Downloaded from <http://dealerselectric.com>
 Generated for Model #10036OP3E365JM

Performed by

Checked



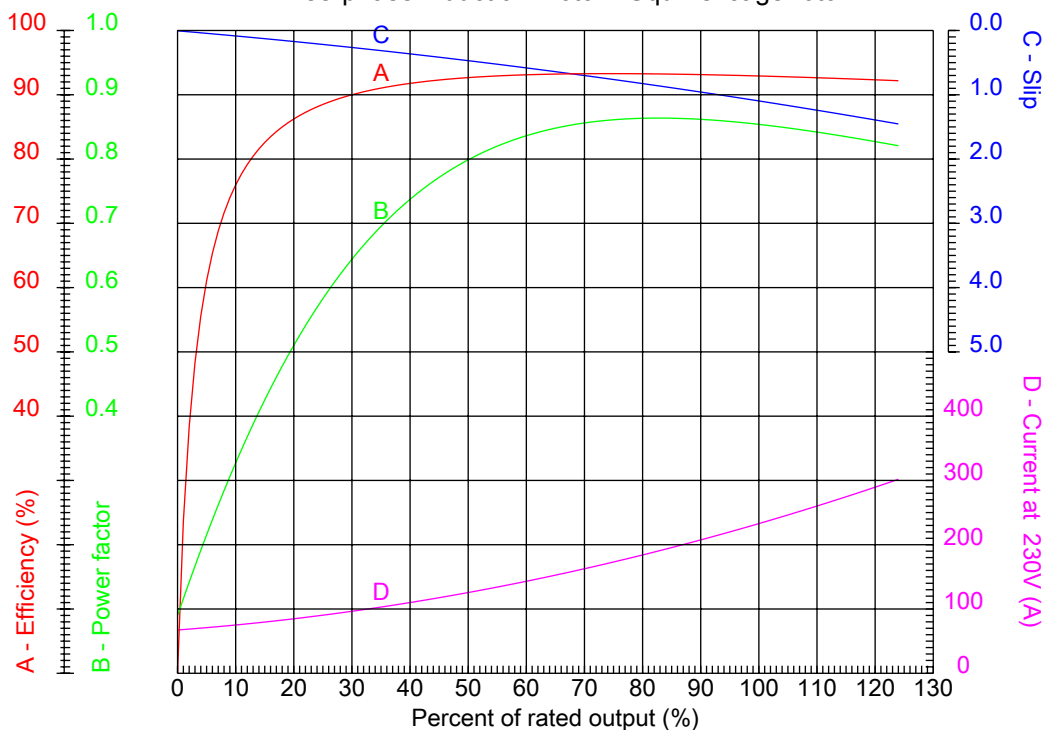
Dealers Industrial Equipment

No.:

Date: 28-SEP-2016

PERFORMANCE CURVES RELATED TO RATED OUTPUT

Three-phase induction motor - Squirrel cage rotor



Customer :
 Product line : Close Coupled Pump : Three-Phase - "JM" Type - ODP - High Efficiency

| | | | |
|------------------|-------------|--|---------|
| Frame | : 365JM | Locked rotor current (I _l /I _n) | : 6.1 |
| Output | : 100 HP | Duty cycle | : S1 |
| Frequency | : 60 Hz | Service factor | : 1.15 |
| Full load speed | : 3560 rpm | Design | : B |
| Voltage | : 230/460 V | Locked rotor torque | : 190 % |
| Rated current | : 236/118 A | Breakdown torque | : 270 % |
| Insulation class | : F | | |

Notes:
 Downloaded from <http://dealerselectric.com>
 Generated for Model #10036OP3E365JM

Performed by

Checked



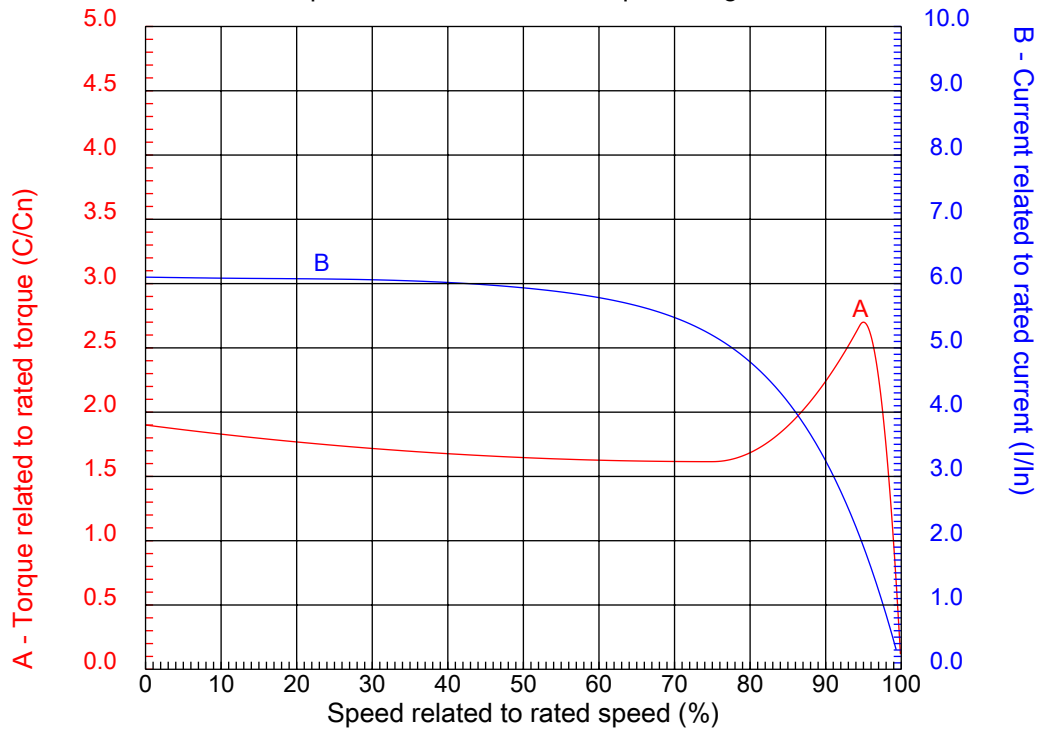
Dealers Industrial Equipment

No.:

Date: 28-SEP-2016

CHARACTERISTIC CURVES RELATED TO SPEED

Three-phase induction motor - Squirrel cage rotor



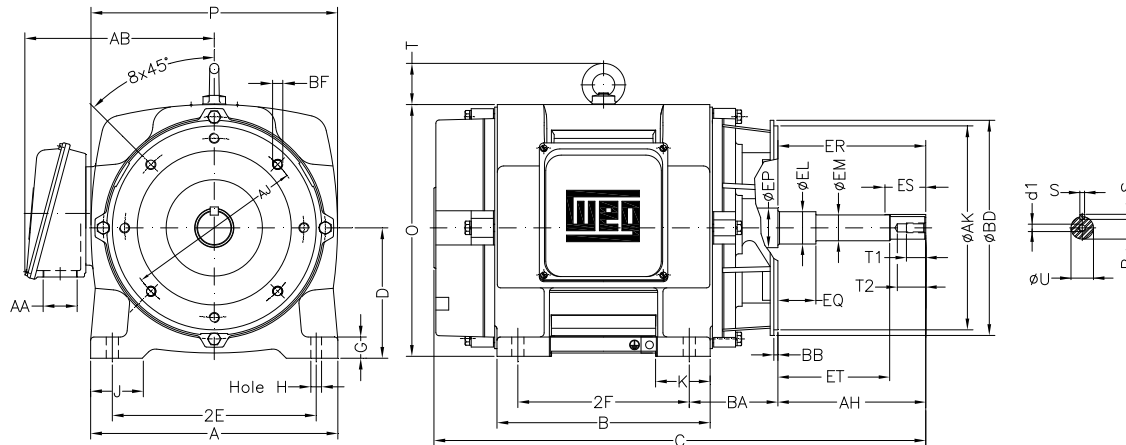
Customer :
Product line : Close Coupled Pump : Three-Phase - "JM" Type - ODP - High Efficiency

| | | | |
|------------------|-------------|--|---------|
| Frame | : 365JM | Locked rotor current (I _l /I _n) | : 6.1 |
| Output | : 100 HP | Duty cycle | : S1 |
| Frequency | : 60 Hz | Service factor | : 1.15 |
| Full load speed | : 3560 rpm | Design | : B |
| Voltage | : 230/460 V | Locked rotor torque | : 190 % |
| Rated current | : 236/118 A | Breakdown torque | : 270 % |
| Insulation class | : F | | |

Notes:
Downloaded from <http://dealerselectric.com>
Generated for Model #10036OP3E365JM

Performed by

Checked



Notes: Downloaded from <http://dealerselectric.com>
Generated for Model #10036OP3E365JM

| | | | | |
|--------------|--------|---------------|-------------|--------|
| 2E | A | 2F | B | J |
| 14.000 | 17.170 | 11.250/12.250 | 15.400 | 3.150 |
| BA | D | K | G | O |
| 5.875 | 9.000 | 4.140 | 1.480 | 18.425 |
| P | T | AB | H | AA |
| 17.874 | 2.795 | 16.378 | 0.657 | NPT 3" |
| ER | EQ | ET | U | EM |
| 5.250 | 0.630 | 3.006 | 1.249 | 1.375 |
| EL | S | EP | R | ES |
| 1.750 | 0.250 | 2.754 | 1.110 | 2.480 |
| d1 | t1 | t2 | C | Flange |
| EUNC 1/2"-13 | 0.984 | 1.496 | 29.139 | FC-279 |
| AJ | AK | BD | BF | BB |
| 11.000 | 12.500 | 13.189 | UNC 5/8"x11 | 0.250 |
| AH | | | | |
| 5.250 | | | | |

Performed by:


Checked:

Customer:

Close Coupled Pump : Three-Phase - "JM" Type - ODP - High Efficiency

Three-phase induction motor
Frame 365JM - IP23

28-SEP-2016



1 2 3 4 5 6 7 8

A
B
C
D
E
F

LOW VOLTAGE

HIGH VOLTAGE



CONNECTIONS FOR STARTING ONLY:

LOW VOLTAGE

HIGH VOLTAGE



Notes: Downloaded from <http://dealerselectric.com>
Generated for Model #10036OP3E365JM

Performed by:

Checked:

Customer:

Close Coupled Pump : Three-Phase - "JM" Type - ODP - High Efficiency

Three-phase induction motor
Frame 365JM - IP23

28-SEP-2016

