



Dealers Industrial Equipment

No.:

Date: 28-SEP-2016

Customer :

TECHNICAL PROPOSAL

Three-phase induction motor - Squirrel cage rotor

Product line : W22 NEMA Premium - Ball Bearings

Catalog Number : 10036ET3G405TS-W22

List Price : \$12,002

Notes:

Downloaded from <http://dealerselectric.com>

Generated for Model #10036ET3G405TS-W22

Performed by:

Checked:



Dealers Industrial Equipment

No.:

Date: 28-SEP-2016

DATA SHEET Three-phase induction motor - Squirrel cage rotor

Customer :
 Product line : W22 NEMA Premium - Ball Bearings

Frame : 404/5TS
 Output : 100 HP
 Frequency : 60 Hz
 Poles : 2
 Full load speed : 3545 rpm
 Slip : 1.53 %
 Voltage : 460 V
 Rated current : 110 A
 Locked rotor current : 715 A
 Locked rotor current (I_L/I_n) : 6.5
 No-load current : 26.0 A
 Full load torque : 146 lb.ft
 Locked rotor torque : 200 %
 Breakdown torque : 240 %
 Design : B
 Insulation class : F
 Temperature rise : 80 K
 Locked rotor time : 14 s (hot)
 Service factor : 1.25
 Duty cycle : S1
 Ambient temperature : -20°C - +40°C
 Altitude : 1000 m
 Degree of Protection : IP55
 Approximate weight : 1045 lb
 Moment of inertia : 13.196 sq.ft.lb
 Noise level : 79 dB(A)

	D.E.	N.D.E.
Bearings	6314 C3	6314 C3
Regreasing interval	4000 h	4000 h
Grease amount	27 g	27 g

Load	Power factor	Efficiency (%)
100%	0.91	94.1
75%	0.90	94.1
50%	0.85	93.0

Notes:
 Downloaded from <http://dealerselectric.com>
 Generated for Model #10036ET3G405TS-W22

Performed by

Checked



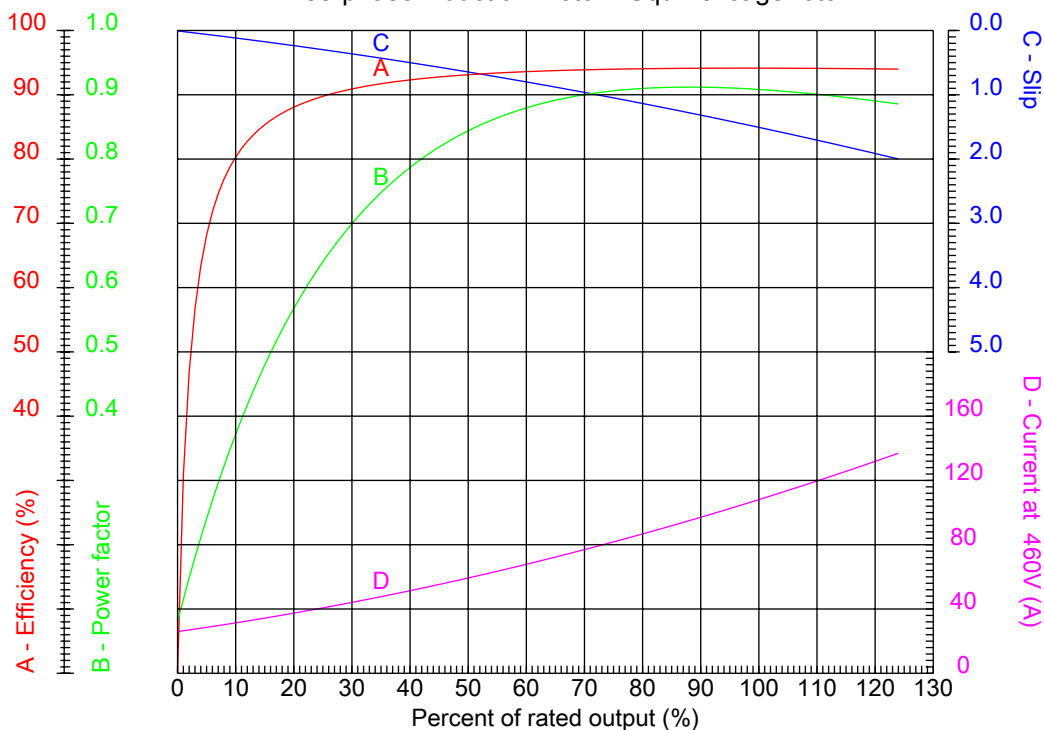
Dealers Industrial Equipment

No.:

Date: 28-SEP-2016

PERFORMANCE CURVES RELATED TO RATED OUTPUT

Three-phase induction motor - Squirrel cage rotor



Customer :
Product line : W22 NEMA Premium - Ball Bearings

Frame : 404/5TS	Locked rotor current (I _l /I _n) : 6.5
Output : 100 HP	Duty cycle : S1
Frequency : 60 Hz	Service factor : 1.25
Full load speed : 3545 rpm	Design : B
Voltage : 460 V	Locked rotor torque : 200 %
Rated current : 110 A	Breakdown torque : 240 %
Insulation class : F	

Notes:
Downloaded from <http://dealerselectric.com>
Generated for Model #10036ET3G405TS-W22

Performed by

Checked



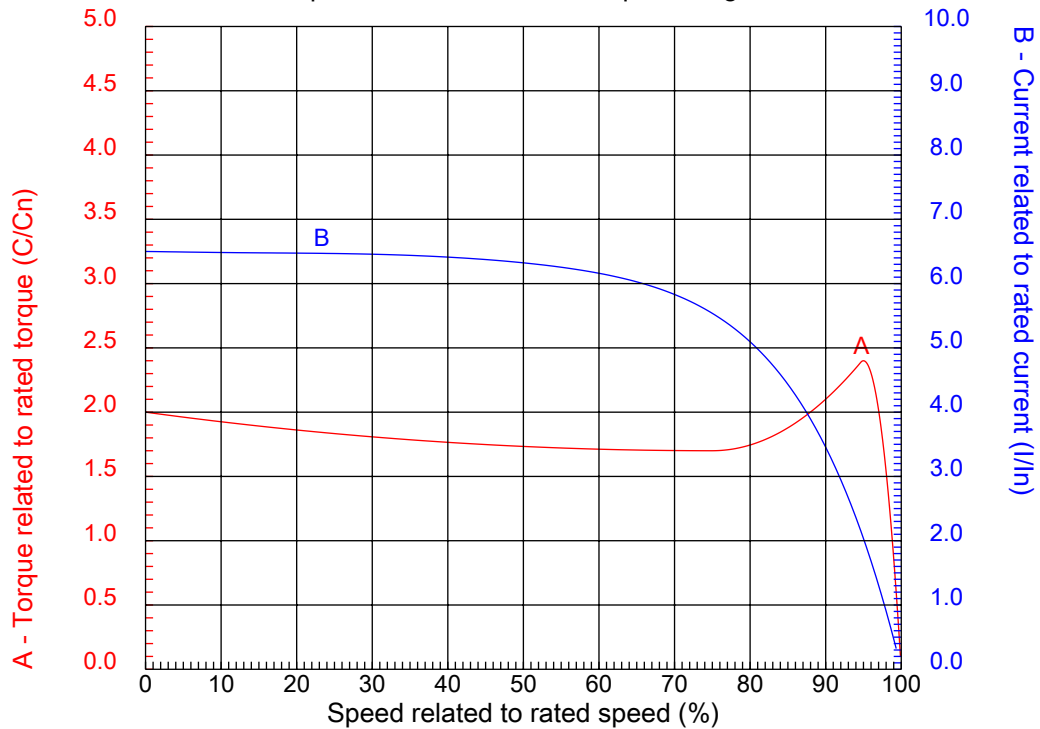
Dealers Industrial Equipment

No.:

Date: 28-SEP-2016

CHARACTERISTIC CURVES RELATED TO SPEED

Three-phase induction motor - Squirrel cage rotor



Customer :
Product line : W22 NEMA Premium - Ball Bearings

Frame	: 404/5TS	Locked rotor current (I _l /I _n)	: 6.5
Output	: 100 HP	Duty cycle	: S1
Frequency	: 60 Hz	Service factor	: 1.25
Full load speed	: 3545 rpm	Design	: B
Voltage	: 460 V	Locked rotor torque	: 200 %
Rated current	: 110 A	Breakdown torque	: 240 %
Insulation class	: F		

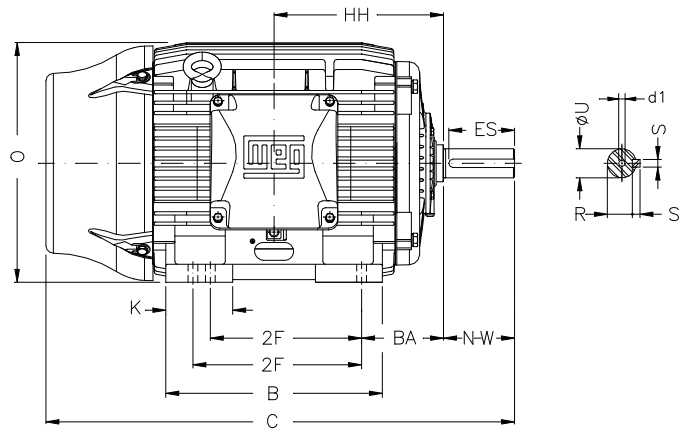
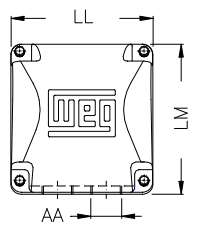
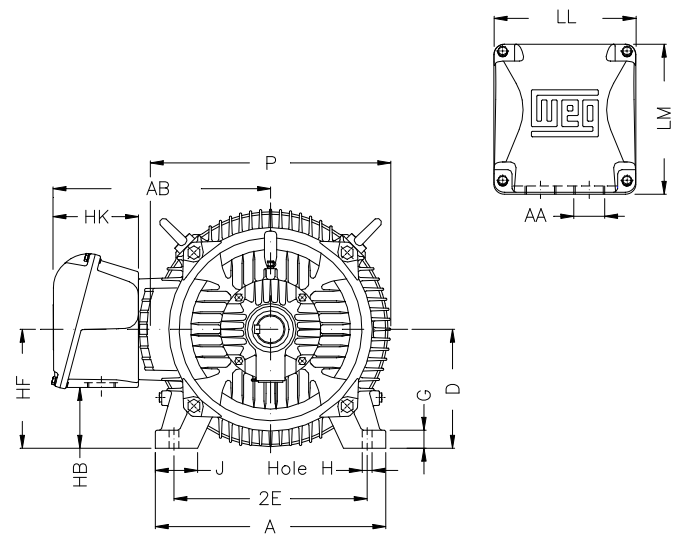
Notes:
Downloaded from <http://dealerselectric.com>
Generated for Model #10036ET3G405TS-W22

Performed by

Checked

1 2 3 4 5 6 7 8

A
B
C
D
E
F



Notes: Downloaded from <http://dealerselectric.com>
Generated for Model #10036ET3G405TS-W22

Performed by:

Checked:

Customer:

W22 NEMA Premium - Ball Bearings

Three-phase induction motor
Frame 404/5TS - IP55

28-SEP-2016



2E 15.984	J 3.937	A 19.921	P 19.134	AB 16.016
2F 12.244/13.740	K 5.669	B 18.386	BA 6.625	FBA 13.926
U 2.125	N-W 4.250	ES 2.756	S 0.500	R 1.842
depth 0.500	D 10.000	G 1.811	HB 5.252	O 19.566
HH 13.496	HK 6.024	EV 2.323	H 0.810	C 36.732
LL 10.591	LM 11.267	AA NPT 3"	d1 DUNC 3/4"-10	

1 2 3 4 5 6 7 8

A

PART-WINDING

WYE-DELTA

START

RUN

START

RUN

B



C

L1 L2 L3

L1 L2 L3

L1 L2 L3

L1 L2 L3

D

E

F

Notes: Downloaded from http://dealerselectric.com Generated for Model #10036ET3G405TS-W22		
Performed by:		
Checked:		
Customer:		
W22 NEMA Premium - Ball Bearings		
Three-phase induction motor Frame 404/5TS - IP55	28-SEP-2016	