



Dealers Industrial Equipment

No.:

Date: 28-SEP-2016

Customer :

TECHNICAL PROPOSAL

Three-phase induction motor - Squirrel cage rotor

Product line : Close Coupled Pump: Three-Phase - W22 "JP" Type - TEFC - NEMA Premium

Catalog Number : 10036ET3E405JP-W22

List Price : \$13,949

Notes:

Downloaded from <http://dealerselectric.com>

Generated for Model #10036ET3E405JP-W22

Performed by:

Checked:



Dealers Industrial Equipment

No.:

Date: 28-SEP-2016

DATA SHEET Three-phase induction motor - Squirrel cage rotor

Customer :
 Product line : Close Coupled Pump: Three-Phase - W22 "JP" Type - TEFC - NEMA Premium

Frame : 404/5JP
 Output : 100 HP
 Frequency : 60 Hz
 Poles : 2
 Full load speed : 3545 rpm
 Slip : 1.53 %
 Voltage : 208-230/460 V
 Rated current : 243-220/110 A
 Locked rotor current : 1430/715 A
 Locked rotor current (I_L/I_n) : 6.5
 No-load current : 52.0/26.0 A
 Full load torque : 146 lb.ft
 Locked rotor torque : 200 %
 Breakdown torque : 240 %
 Design : B
 Insulation class : F
 Temperature rise : 80 K
 Locked rotor time : 14 s (hot)
 Service factor : 1.25
 Duty cycle : S1
 Ambient temperature : -20°C - +40°C
 Altitude : 1000 m
 Degree of Protection : IP55
 Approximate weight : 1045 lb
 Moment of inertia : 13.196 sq.ft.lb
 Noise level : 79 dB(A)

	D.E.	N.D.E.	Load	Power factor	Efficiency (%)
Bearings	6314 C3	6314 C3	100%	0.91	94.1
Regreasing interval	4000 h	4000 h	75%	0.90	94.1
Grease amount	27 g	27 g	50%	0.85	93.0

Notes:
 Downloaded from <http://dealerselectric.com>
 Generated for Model #10036ET3E405JP-W22

Performed by

Checked



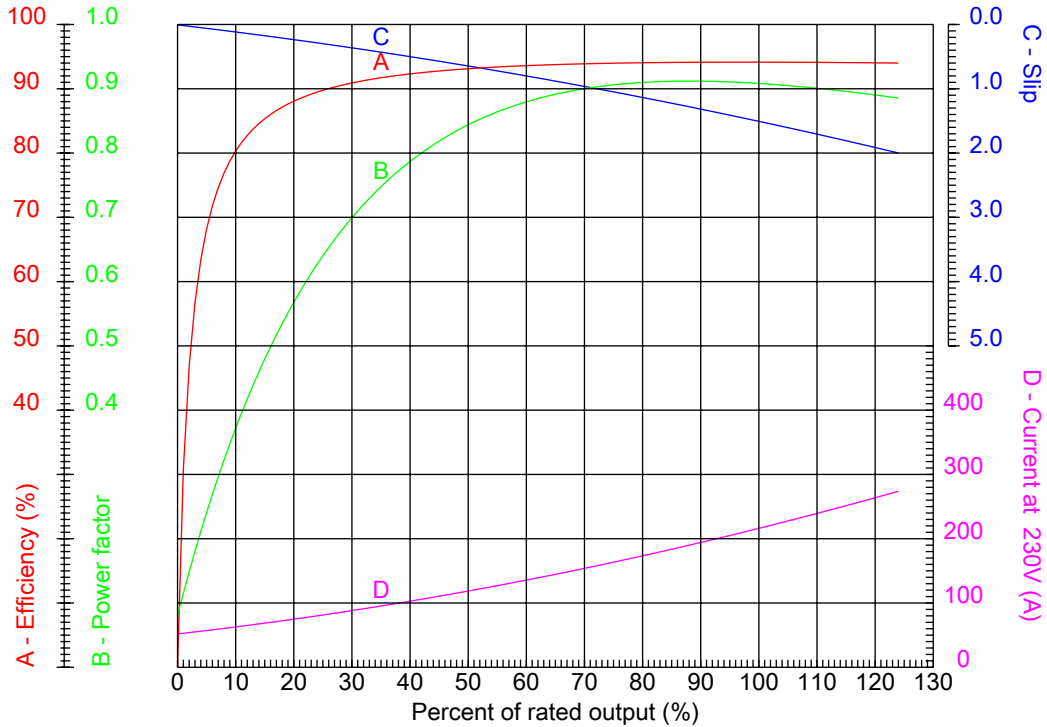
Dealers Industrial Equipment

No.:

Date: 28-SEP-2016

PERFORMANCE CURVES RELATED TO RATED OUTPUT

Three-phase induction motor - Squirrel cage rotor



Customer :
 Product line : Close Coupled Pump: Three-Phase - W22 "JP" Type - TEFC - NEMA Premium

Frame	: 404/5JP	Locked rotor current (I _l /I _n)	: 6.5
Output	: 100 HP	Duty cycle	: S1
Frequency	: 60 Hz	Service factor	: 1.25
Full load speed	: 3545 rpm	Design	: B
Voltage	: 208-230/460 V	Locked rotor torque	: 200 %
Rated current	: 243-220/110 A	Breakdown torque	: 240 %
Insulation class	: F		

Notes:
 Downloaded from <http://dealerselectric.com>
 Generated for Model #10036ET3E405JP-W22

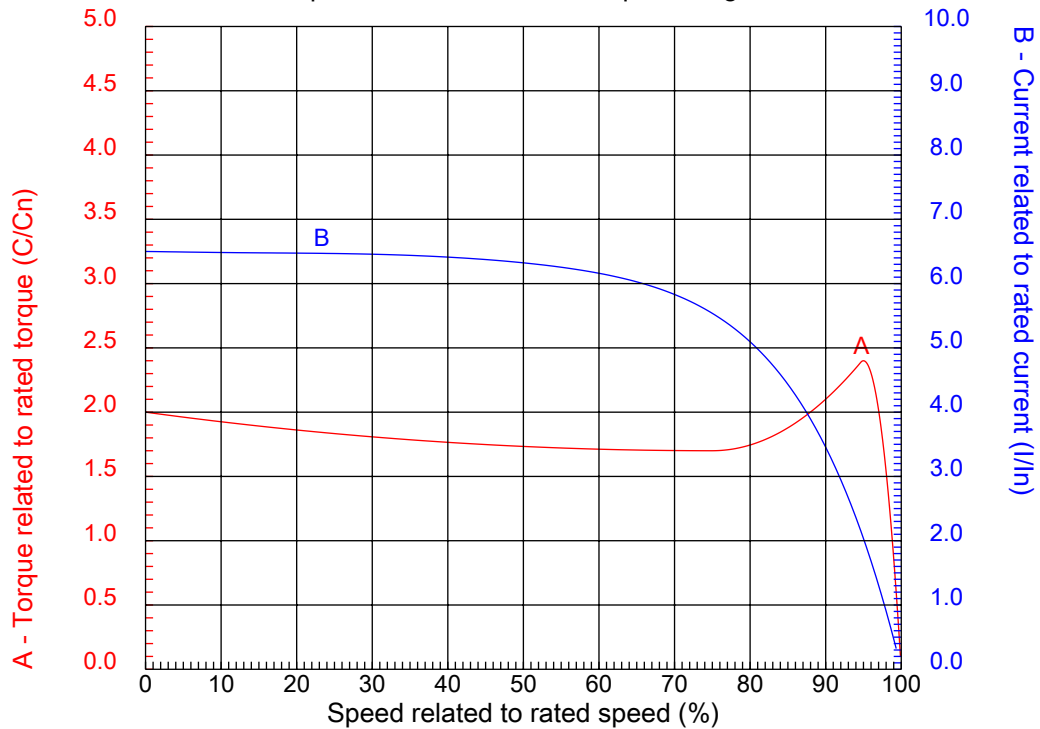
Performed by

Checked



CHARACTERISTIC CURVES RELATED TO SPEED

Three-phase induction motor - Squirrel cage rotor



Customer :
Product line : Close Coupled Pump: Three-Phase - W22 "JP" Type - TEFC - NEMA Premium

Frame	: 404/5JP	Locked rotor current (I _l /I _n)	: 6.5
Output	: 100 HP	Duty cycle	: S1
Frequency	: 60 Hz	Service factor	: 1.25
Full load speed	: 3545 rpm	Design	: B
Voltage	: 208-230/460 V	Locked rotor torque	: 200 %
Rated current	: 243-220/110 A	Breakdown torque	: 240 %
Insulation class	: F		

Notes:
Downloaded from <http://dealerselectric.com>
Generated for Model #10036ET3E405JP-W22

Performed by

Checked

1 2 3 4 5 6 7 8

A

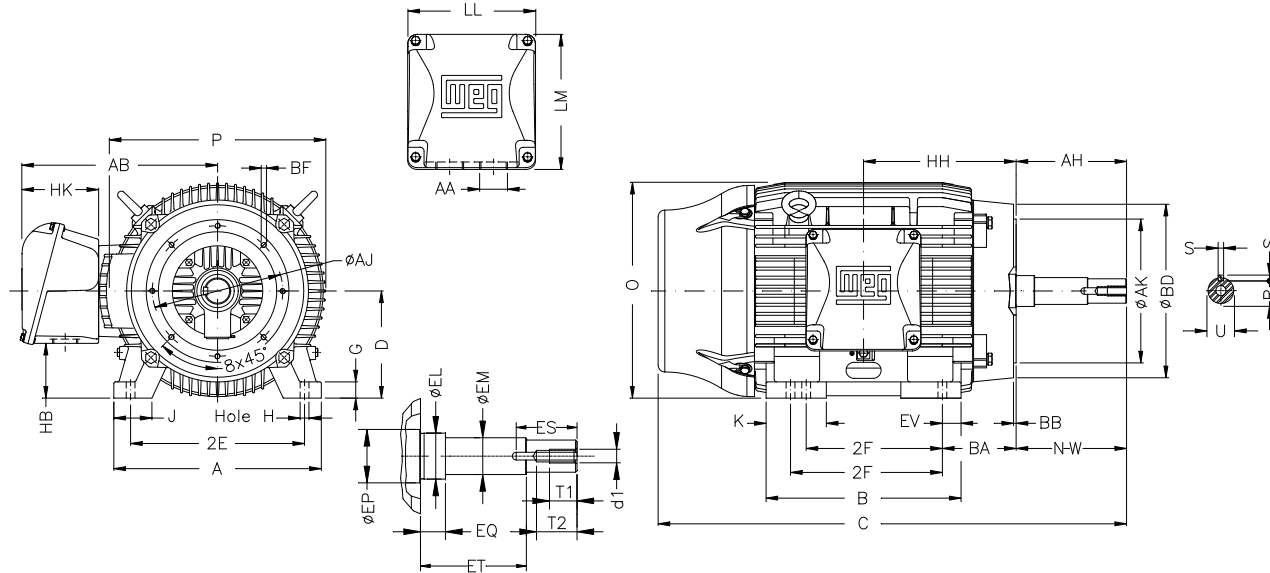
B

C

D

E

F



Notes: Downloaded from <http://dealerselectric.com>
Generated for Model #10036ET3E405JP-W22

2E	J	A	P	AB
15.984	3.937	19.921	19.134	16.016
2F	K	B	BA	D
12.244/13.740	5.669	18.386	6.625	10.000
G	O	H	AA	EQ
1.811	19.566	0.810	NPT 3"	2.382
ET	U	EM	EL	EP
5.886	1.624	1.750	2.125	2.756
ES	t1	t2	C	d1
2.480	0.984	1.496	40.551	EUNC 1/2"-13
HH	HK	HB	LL	LM
13.496	6.024	5.252	10.591	11.267
S	R	Flange	AJ	AK
0.375	1.413	FC-279	11.000	12.500
BD	BF	BB	AH	
15.562	UNC 5/8"x11	0.248	8.130	

Performed by:

Checked:

Customer:

Close Coupled Pump: Three-Phase - W22 "JP" Type - TEFC - NEMA Premium

Three-phase induction motor
Frame 404/5JP - IP55

28-SEP-2016



1 2 3 4 5 6 7 8

A
B
C
D
E
F

LOW VOLTAGE

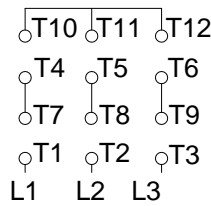
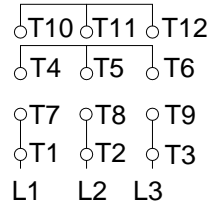
HIGH VOLTAGE



CONNECTIONS FOR STARTING ONLY:

LOW VOLTAGE

HIGH VOLTAGE



Notes: Downloaded from <http://dealerselectric.com>
Generated for Model #10036ET3E405JP-W22

Performed by:

Checked:

Customer:

Close Coupled Pump: Three-Phase - W22 "JP" Type - TEFC - NEMA Premium

Three-phase induction motor
Frame 404/5JP - IP55

28-SEP-2016

