



Dealers Industrial Equipment

No.:

Date: 27-SEP-2016

Customer :

TECHNICAL PROPOSAL

Three-phase induction motor - Squirrel cage rotor

Product line : Close Coupled Pump : Three-Phase - "JP" Type - ODP - High Efficiency

Catalog Number : 10018OP3V404JPV

List Price : \$8,825

Notes:

Downloaded from <http://dealerselectric.com>

Generated for Model #10018OP3V404JPV

Performed by:

Checked:



Dealers Industrial Equipment

No.:

Date: 27-SEP-2016

DATA SHEET

Three-phase induction motor - Squirrel cage rotor

Customer :
 Product line : Close Coupled Pump : Three-Phase - "JP" Type - ODP - High Efficiency

Frame : 404/5JP
 Output : 100 HP
 Frequency : 60 Hz
 Poles : 4
 Full load speed : 1775 rpm
 Slip : 1.39 %
 Voltage : 200/400 V
 Rated current : 271/136 A
 Locked rotor current : 1630/814 A
 Locked rotor current (I_L/I_n) : 6.0
 No-load current : 82.8/41.4 A
 Full load torque : 292 lb.ft
 Locked rotor torque : 220 %
 Breakdown torque : 250 %
 Design : B
 Insulation class : F
 Temperature rise : 80 K
 Locked rotor time : 10 s (hot)
 Service factor : 1.15
 Duty cycle : S1
 Ambient temperature : -20°C - +40°C
 Altitude : 1000 m
 Degree of Protection : IP23
 Approximate weight : 882 lb
 Moment of inertia : 18.269 sq.ft.lb
 Noise level : 69 dB(A)

| | D.E. | N.D.E. |
|---------------------|---------|---------|
| Bearings | 6314 C3 | 6314 C3 |
| Regreasing interval | 10000 h | 10000 h |
| Grease amount | 27 g | 27 g |

| Load | Power factor | Efficiency (%) |
|------|--------------|----------------|
| 100% | 0.85 | 94.1 |
| 75% | 0.82 | 94.1 |
| 50% | 0.74 | 93.6 |

Notes:
 Downloaded from <http://dealerselectric.com>
 Generated for Model #10018OP3V404JPV

Performed by

Checked



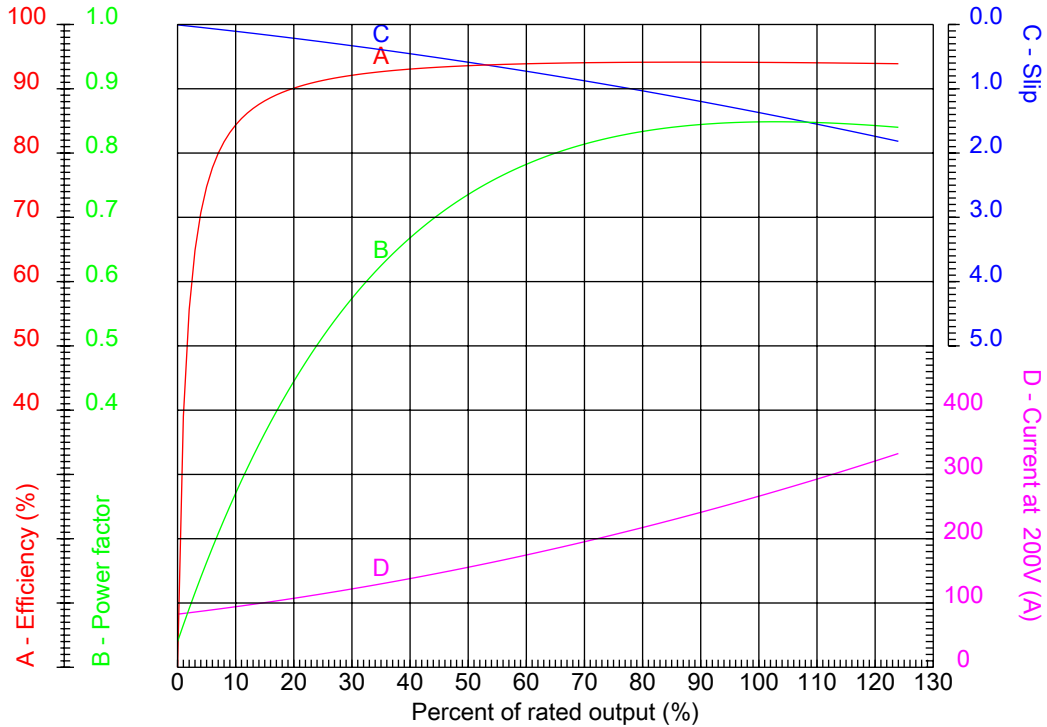
Dealers Industrial Equipment

No.:

Date: 27-SEP-2016

PERFORMANCE CURVES RELATED TO RATED OUTPUT

Three-phase induction motor - Squirrel cage rotor



Customer :
 Product line : Close Coupled Pump : Three-Phase - "JP" Type - ODP - High Efficiency

| | | | |
|------------------|-------------|--|---------|
| Frame | : 404/5JP | Locked rotor current (I _l /I _n) | : 6.0 |
| Output | : 100 HP | Duty cycle | : S1 |
| Frequency | : 60 Hz | Service factor | : 1.15 |
| Full load speed | : 1775 rpm | Design | : B |
| Voltage | : 200/400 V | Locked rotor torque | : 220 % |
| Rated current | : 271/136 A | Breakdown torque | : 250 % |
| Insulation class | : F | | |

Notes:
 Downloaded from <http://dealerselectric.com>
 Generated for Model #10018OP3V404JPV

Performed by

Checked



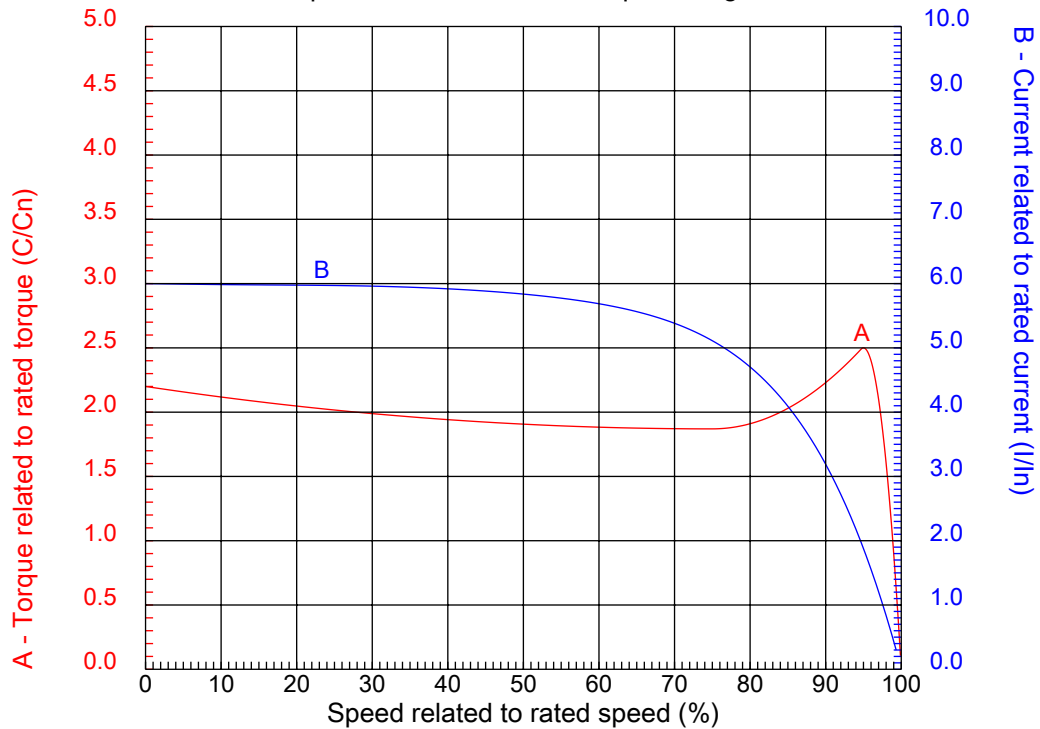
Dealers Industrial Equipment

No.:

Date: 27-SEP-2016

CHARACTERISTIC CURVES RELATED TO SPEED

Three-phase induction motor - Squirrel cage rotor



Customer :
Product line : Close Coupled Pump : Three-Phase - "JP" Type - ODP - High Efficiency

| | | | |
|------------------|-------------|--|---------|
| Frame | : 404/5JP | Locked rotor current (I _l /I _n) | : 6.0 |
| Output | : 100 HP | Duty cycle | : S1 |
| Frequency | : 60 Hz | Service factor | : 1.15 |
| Full load speed | : 1775 rpm | Design | : B |
| Voltage | : 200/400 V | Locked rotor torque | : 220 % |
| Rated current | : 271/136 A | Breakdown torque | : 250 % |
| Insulation class | : F | | |

Notes:
Downloaded from <http://dealerselectric.com>
Generated for Model #10018OP3V404JPV

Performed by

Checked

1 2 3 4 5 6 7 8

A

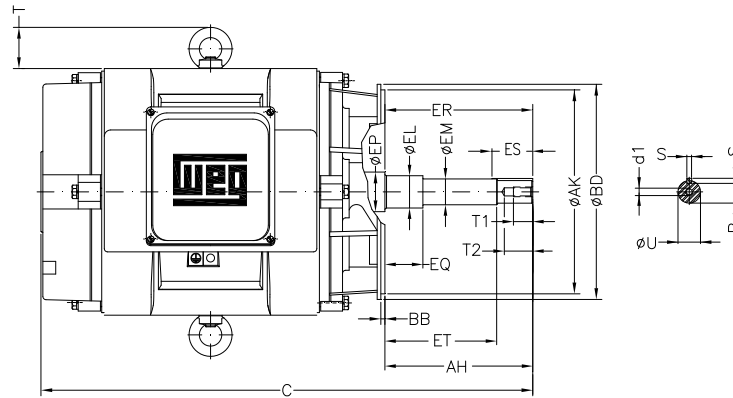
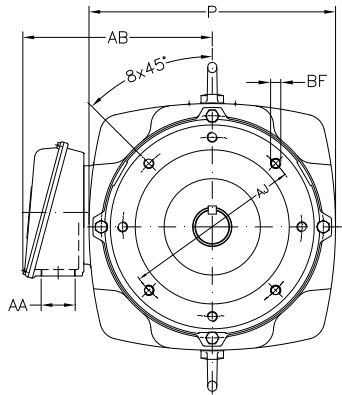
B

C

D

E

F



Notes: Downloaded from <http://dealerselectric.com>
Generated for Model #10018OP3V404JPV

Performed by:

Checked:

Customer:

Close Coupled Pump : Three-Phase - "JP" Type - ODP - High Efficiency

Three-phase induction motor
Frame 404/5JP - IP23

27-SEP-2016



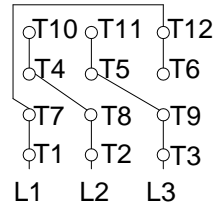
| | | | | |
|--------------|-------------------|------------------|--------------------|--------------|
| P 17.874 | AB 16.378 | AA NPT 3" | ER 8.130 | EQ 2.382 |
| ET 5.886 | U 1.624 | EM 1.750 | EL 2.125 | S 0.375 |
| EP 2.754 | R 1.413 | ES 2.480 | d1 EUNC 1/2"-13 | t1 0.984 |
| t2 1.496 | C 35.263 | Flange FC-279 | AJ 11.000 | AK 12.500 |
| BD 14.960 | BF UNC 5/8"x11 | BB 0.250 | AH 8.130 | |

1 2 3 4 5 6 7 8

A
B
C
D
E
F

LOW VOLTAGE

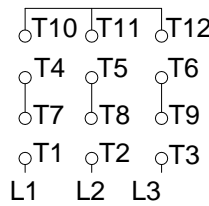
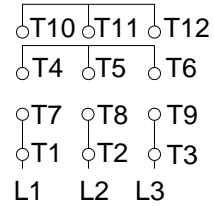
HIGH VOLTAGE



CONNECTIONS FOR STARTING ONLY:

LOW VOLTAGE

HIGH VOLTAGE



Notes: Downloaded from <http://dealerselectric.com>
Generated for Model #10018OP3V404JPV

Performed by:

Checked:

Customer:

Close Coupled Pump : Three-Phase - "JP" Type - ODP - High Efficiency

Three-phase induction motor
Frame 404/5JP - IP23

27-SEP-2016

