



Dealers Industrial Equipment

No.:

Date: 27-SEP-2016

Customer :

TECHNICAL PROPOSAL

Three-phase induction motor - Squirrel cage rotor

Product line : Fire Pump Motors - ODP Three Phase - Foot Mount and Flange Mount

Catalog Number : 10018OP3EFP404TC

List Price : \$6,510

Notes:

Downloaded from <http://dealerselectric.com>

Generated for Model #10018OP3EFP404TC

Performed by:

Checked:



Dealers Industrial Equipment

No.:

Date: 27-SEP-2016

DATA SHEET Three-phase induction motor - Squirrel cage rotor

Customer :
 Product line : Fire Pump Motors - ODP Three Phase - Foot Mount and Flange Mount

Frame : 404/5T
 Output : 100 HP
 Frequency : 60 Hz
 Poles : 4
 Full load speed : 1775 rpm
 Slip : 1.39 %
 Voltage : 208-230/460 V
 Rated current : 254-236/118 A
 Locked rotor current : 1420/708 A
 Locked rotor current (I_L/I_n) : 6.0
 No-load current : 72.0/36.0 A
 Full load torque : 292 lb.ft
 Locked rotor torque : 220 %
 Breakdown torque : 250 %
 Design : B
 Insulation class : F
 Temperature rise : 80 K
 Locked rotor time : 10 s (hot)
 Service factor : 1.15
 Duty cycle : S1
 Ambient temperature : -20°C - +40°C
 Altitude : 1000 m
 Degree of Protection : IP23
 Approximate weight : 882 lb
 Moment of inertia : 18.269 sq.ft.lb
 Noise level : 69 dB(A)

	D.E.	N.D.E.
Bearings	6316 C3	6314 C3
Regreasing interval	20000 h	20000 h
Grease amount	34 g	27 g

Load	Power factor	Efficiency (%)
100%	0.85	94.1
75%	0.82	94.1
50%	0.74	93.6

Notes:
 Downloaded from <http://dealerselectric.com>
 Generated for Model #10018OP3EFP404TC

Performed by

Checked



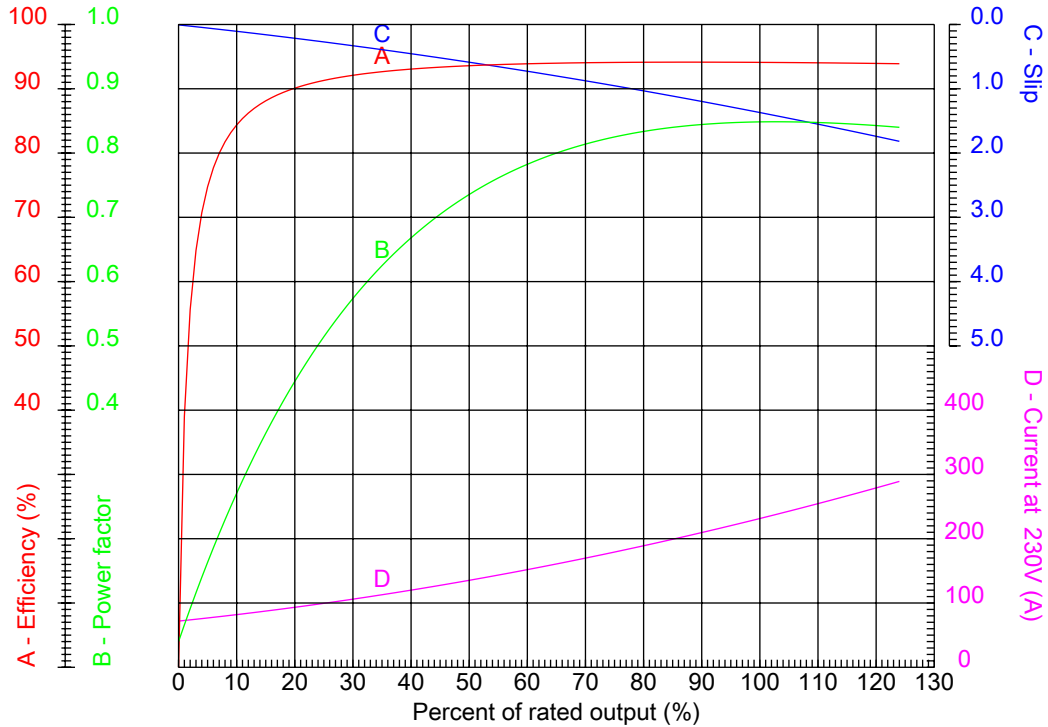
Dealers Industrial Equipment

No.:

Date: 27-SEP-2016

PERFORMANCE CURVES RELATED TO RATED OUTPUT

Three-phase induction motor - Squirrel cage rotor



Customer :
Product line : Fire Pump Motors - ODP Three Phase - Foot Mount and Flange Mount

Frame	: 404/5T	Locked rotor current (I _l /I _n)	: 6.0
Output	: 100 HP	Duty cycle	: S1
Frequency	: 60 Hz	Service factor	: 1.15
Full load speed	: 1775 rpm	Design	: B
Voltage	: 208-230/460 V	Locked rotor torque	: 220 %
Rated current	: 254-236/118 A	Breakdown torque	: 250 %
Insulation class	: F		

Notes:
Downloaded from <http://dealerselectric.com>
Generated for Model #10018OP3EFP404TC

Performed by

Checked



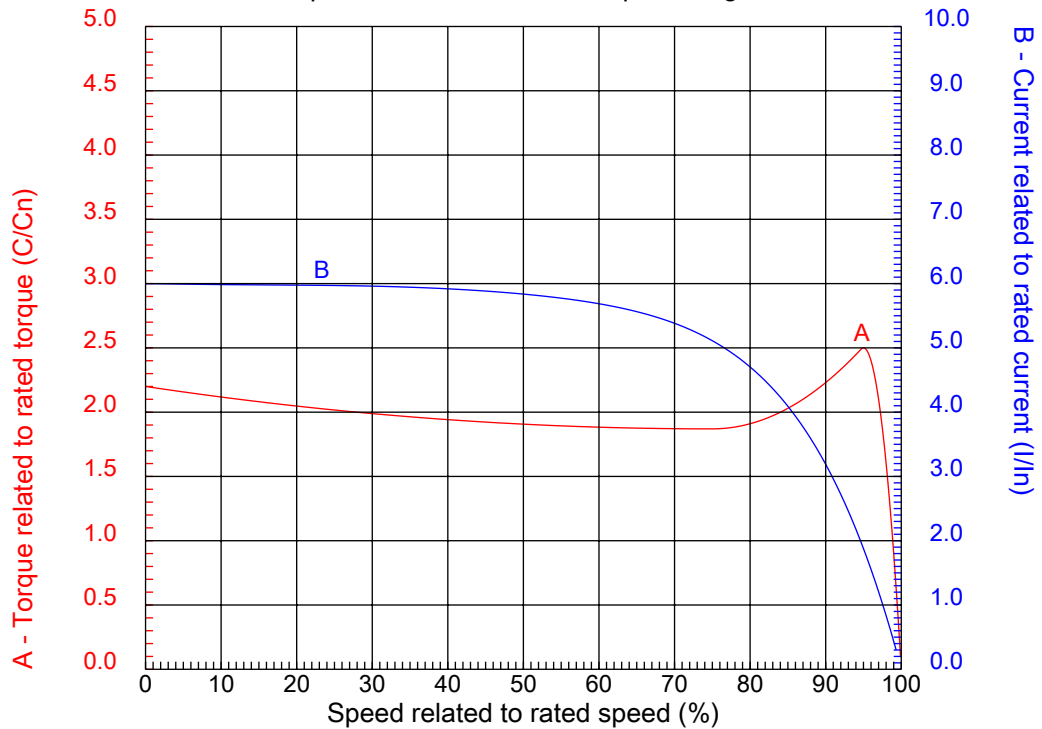
Dealers Industrial Equipment

No.:

Date: 27-SEP-2016

CHARACTERISTIC CURVES RELATED TO SPEED

Three-phase induction motor - Squirrel cage rotor



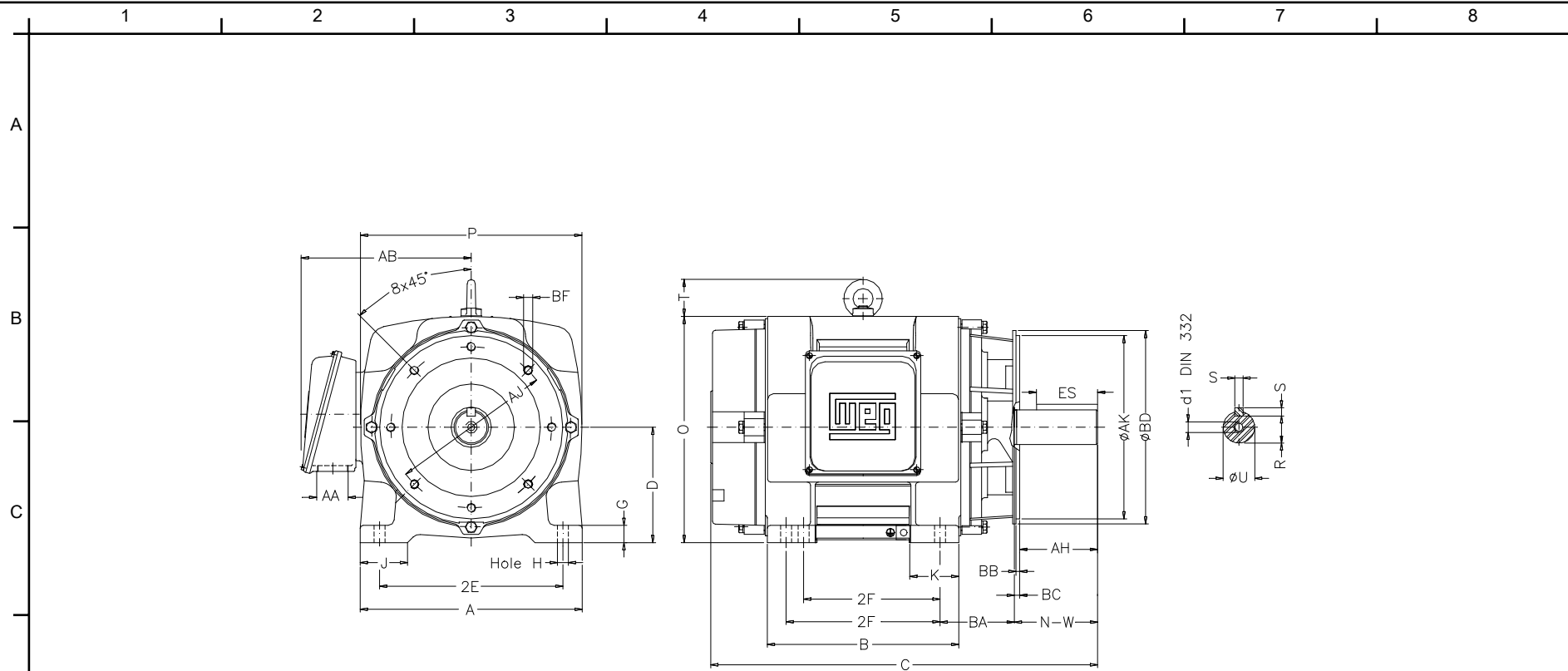
Customer :
Product line : Fire Pump Motors - ODP Three Phase - Foot Mount and Flange Mount

Frame	: 404/5T	Locked rotor current (I/I _n)	: 6.0
Output	: 100 HP	Duty cycle	: S1
Frequency	: 60 Hz	Service factor	: 1.15
Full load speed	: 1775 rpm	Design	: B
Voltage	: 208-230/460 V	Locked rotor torque	: 220 %
Rated current	: 254-236/118 A	Breakdown torque	: 250 %
Insulation class	: F		

Notes:
Downloaded from <http://dealerselectric.com>
Generated for Model #10018OP3EFP404TC

Performed by

Checked



Notes: Downloaded from <http://dealerselectric.com>
 Generated for Model #10018OP3EFP404TC

2E 16.000	A 19.950	2F 12.250/13.750	B 17.700	BA 6.625
J 3.950	K 5.440	P 17.874	ES 5.512	depth 0.750
S 0.750	D 10.000	N-W 7.250	G 1.968	U 2.875
O 19.409	T 2.800	R 2.449	H 0.810	AB 16.378
C 34.133	AA NPT 3"	d1 DUNC 3/4"-10	Flange FC-279	AJ 11.000
AK 12.500	BD 14.960	BF UNC 5/8"x11	BB 0.250	BC 0.250
AH 7.000				

Performed by:
 Checked:
 Customer:
 Fire Pump Motors - ODP Three Phase - Foot Mount and Flange Mount
 Three-phase induction motor
 Frame 404/5T - IP23
 27-SEP-2016



1 2 3 4 5 6 7 8

A
B
C
D
E
F

LOW VOLTAGE

HIGH VOLTAGE



CONNECTIONS FOR STARTING ONLY:

LOW VOLTAGE

HIGH VOLTAGE



Notes: Downloaded from <http://dealerselectric.com>
Generated for Model #10018OP3EFP404TC

Performed by:

Checked:

Customer:

Fire Pump Motors - ODP Three Phase - Foot Mount and Flange Mount

Three-phase induction motor
Frame 404/5T - IP23

27-SEP-2016

