



Dealers Industrial Equipment

No.:

Date: 27-SEP-2016

Customer :

TECHNICAL PROPOSAL

Three-phase induction motor - Squirrel cage rotor

Product line : Three-Phase: W22 Crusher Duty TEFC (IP55)

Catalog Number : 10009EP3GKD445T-W22

List Price : \$16,009

Notes:

Downloaded from <http://dealerselectric.com>

Generated for Model #10009EP3GKD445T-W22

Performed by:

Checked:



Dealers Industrial Equipment

No.:

Date: 27-SEP-2016

DATA SHEET Three-phase induction motor - Squirrel cage rotor

Customer :
 Product line : Three-Phase: W22 Crusher Duty TEFC (IP55)

Frame : 444/5T
 Output : 100 HP
 Frequency : 60 Hz
 Poles : 8
 Full load speed : 885 rpm
 Slip : 1.67 %
 Voltage : 460 V
 Rated current : 127 A
 Locked rotor current : 724 A
 Locked rotor current (I_L/I_n) : 5.7
 No-load current : 48.0 A
 Full load torque : 585 lb.ft
 Locked rotor torque : 180 %
 Breakdown torque : 200 %
 Design : A
 Insulation class : F
 Temperature rise : 80 K
 Locked rotor time : 18 s (hot)
 Service factor : 1.15
 Duty cycle : S1
 Ambient temperature : -20°C - +40°C
 Altitude : 1000 m
 Degree of Protection : IP55
 Approximate weight : 1599 lb
 Moment of inertia : 87.260 sq.ft.lb
 Noise level : 63 dB(A)

	D.E.	N.D.E.	Load	Power factor	Efficiency (%)
Bearings	NU-319 C3	6316 C3	100%	0.80	93.0
Regreasing interval	15000 h	20000 h	75%	0.76	93.6
Grease amount	45 g	34 g	50%	0.67	93.0

Notes:
 Downloaded from <http://dealerselectric.com>
 Generated for Model #10009EP3GKD445T-W22

Performed by

Checked



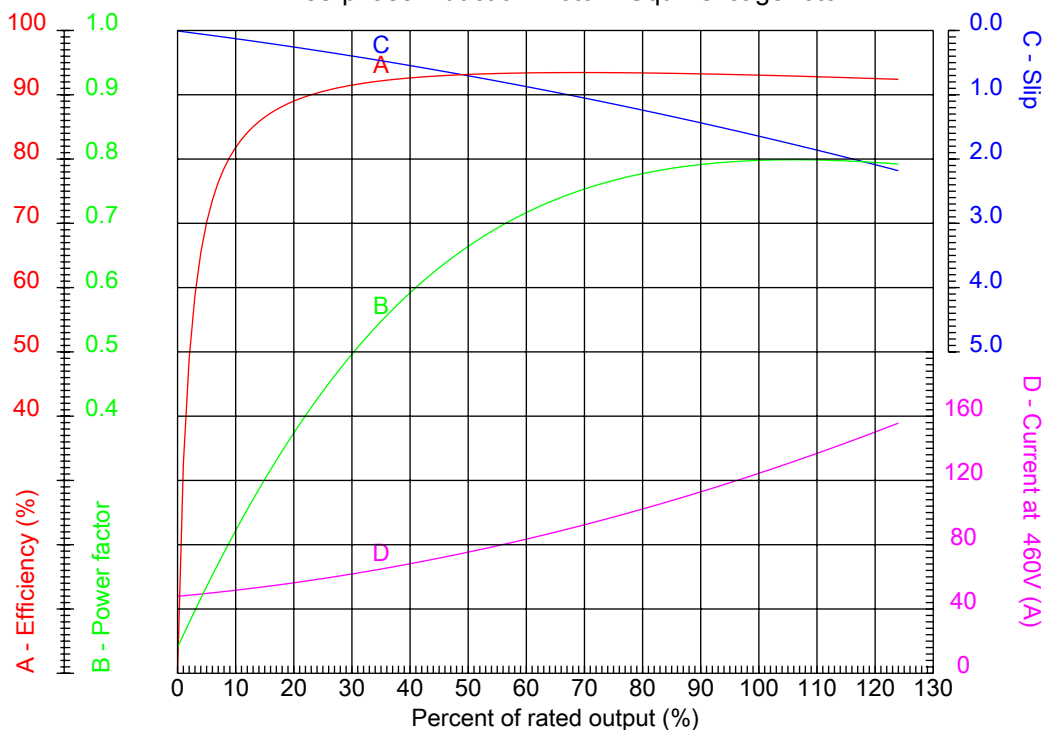
Dealers Industrial Equipment

No.:

Date: 27-SEP-2016

PERFORMANCE CURVES RELATED TO RATED OUTPUT

Three-phase induction motor - Squirrel cage rotor



Customer :
 Product line : Three-Phase: W22 Crusher Duty TEFC (IP55)

Frame	: 444/5T	Locked rotor current (I _l /I _n)	: 5.7
Output	: 100 HP	Duty cycle	: S1
Frequency	: 60 Hz	Service factor	: 1.15
Full load speed	: 885 rpm	Design	: A
Voltage	: 460 V	Locked rotor torque	: 180 %
Rated current	: 127 A	Breakdown torque	: 200 %
Insulation class	: F		

Notes:
 Downloaded from <http://dealerselectric.com>
 Generated for Model #10009EP3GKD445T-W22

Performed by

Checked



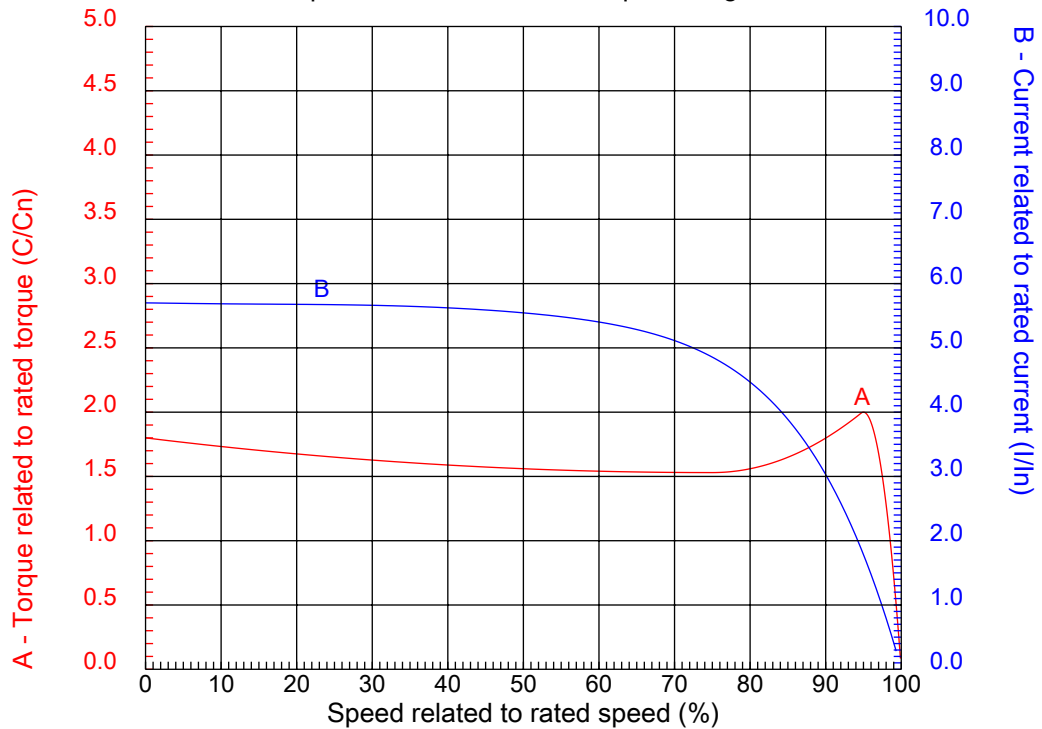
Dealers Industrial Equipment

No.:

Date: 27-SEP-2016

CHARACTERISTIC CURVES RELATED TO SPEED

Three-phase induction motor - Squirrel cage rotor



Customer :
Product line : Three-Phase: W22 Crusher Duty TEFC (IP55)

Frame	: 444/5T	Locked rotor current (I _l /I _n)	: 5.7
Output	: 100 HP	Duty cycle	: S1
Frequency	: 60 Hz	Service factor	: 1.15
Full load speed	: 885 rpm	Design	: A
Voltage	: 460 V	Locked rotor torque	: 180 %
Rated current	: 127 A	Breakdown torque	: 200 %
Insulation class	: F		

Notes:
Downloaded from <http://dealerselectric.com>
Generated for Model #10009EP3GKD445T-W22

Performed by

Checked

1 2 3 4 5 6 7 8

A

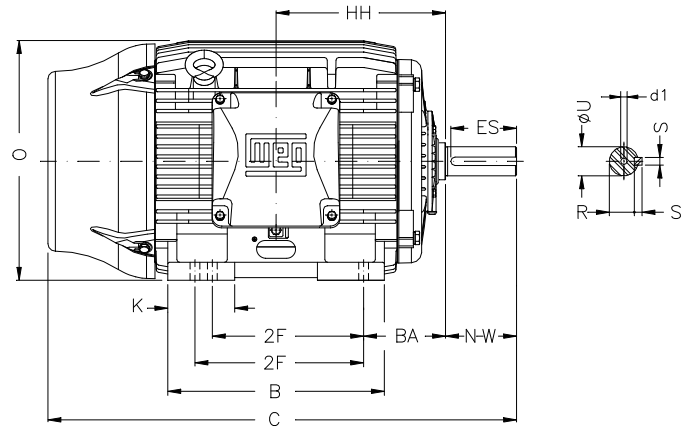
B

C

D

E

F



Notes: Downloaded from <http://dealerselectric.com>
Generated for Model #10009EP3GKD445T-W22

Performed by:

Checked:

Customer:

Three-Phase: W22 Crusher Duty TEFC (IP55)

Three-phase induction motor
Frame 444/5T - IP55

27-SEP-2016



2E 18.000	J 3.937	A 21.929	P 23.583	AB 18.570
2F 14.500/16.500	K 7.263	B 20.315	BA 7.500	U 3.375
N-W 8.500	ES 7.087	S 0.875	R 2.880	depth 0.875
D 11.000	G 1.630	HB 5.687	O 22.795	HH 15.748
HK 5.970	H 0.810	C 44.950	LL 12.362	LM 12.283
AA 2xNPT 3"	d1 DUNC 3/4"-10	d2 DUNC 3/4"-10		

1 2 3 4 5 6 7 8

A

PART-WINDING

WYE-DELTA

START

RUN

START

RUN

B



C

L1 L2 L3

L1 L2 L3

L1 L2 L3

L1 L2 L3

D

E

F

Notes: Downloaded from <http://dealerselectric.com>
Generated for Model #10009EP3GKD445T-W22

Performed by:

Checked:

Customer:

Three-Phase: W22 Crusher Duty TEFC (IP55)

Three-phase induction motor
Frame 444/5T - IP55

27-SEP-2016

