



Dealers Industrial Equipment

No.:

Date: 27-SEP-2016

Customer :

TECHNICAL PROPOSAL

Three-phase induction motor - Squirrel cage rotor

Product line : Three-Phase: W22 IE3 IEC Tru-Metric - TEFC (IP55) Cast Iron Frame

Catalog Number : 09036ET3Y280S/M-W22

List Price : \$16,720

Notes:

Downloaded from <http://dealerselectric.com>

Generated for Model #09036ET3Y280S/M-W22

Performed by:

Checked:



Dealers Industrial Equipment

No.:

Date: 27-SEP-2016

DATA SHEET

Three-phase induction motor - Squirrel cage rotor

Customer :
 Product line : Three-Phase: W22 IE3 IEC Tru-Metric - TEFC (IP55) Cast Iron Frame

Frame : 280S/M
 Output : 125 HP
 Frequency : 60 Hz
 Poles : 2
 Full load speed : 3580 rpm
 Slip : 0.56 %
 Voltage : 460 V
 Rated current : 132 A
 Locked rotor current : 1020 A
 Locked rotor current (I_L/I_n) : 7.7
 No-load current : 36.1 A
 Full load torque : 181 lb.ft
 Locked rotor torque : 230 %
 Breakdown torque : 330 %
 Design : ---
 Insulation class : F
 Temperature rise : 80 K
 Locked rotor time : 52 s (hot)
 Service factor : 1.25
 Duty cycle : S1
 Ambient temperature : -20°C - +40°C
 Altitude : 1000 m
 Degree of Protection : IP55
 Approximate weight : 1680 lb
 Moment of inertia : 31.817 sq.ft.lb
 Noise level : 81 dB(A)

	D.E.	N.D.E.	Load	Power factor	Efficiency (%)
Bearings	6314 C3	6314 C3	100%	0.90	95.0
Regreasing interval	4000 h	4000 h	75%	0.88	94.5
Grease amount	27 g	27 g	50%	0.82	93.0

Notes:
 Downloaded from <http://dealerselectric.com>
 Generated for Model #09036ET3Y280S/M-W22

Performed by

Checked



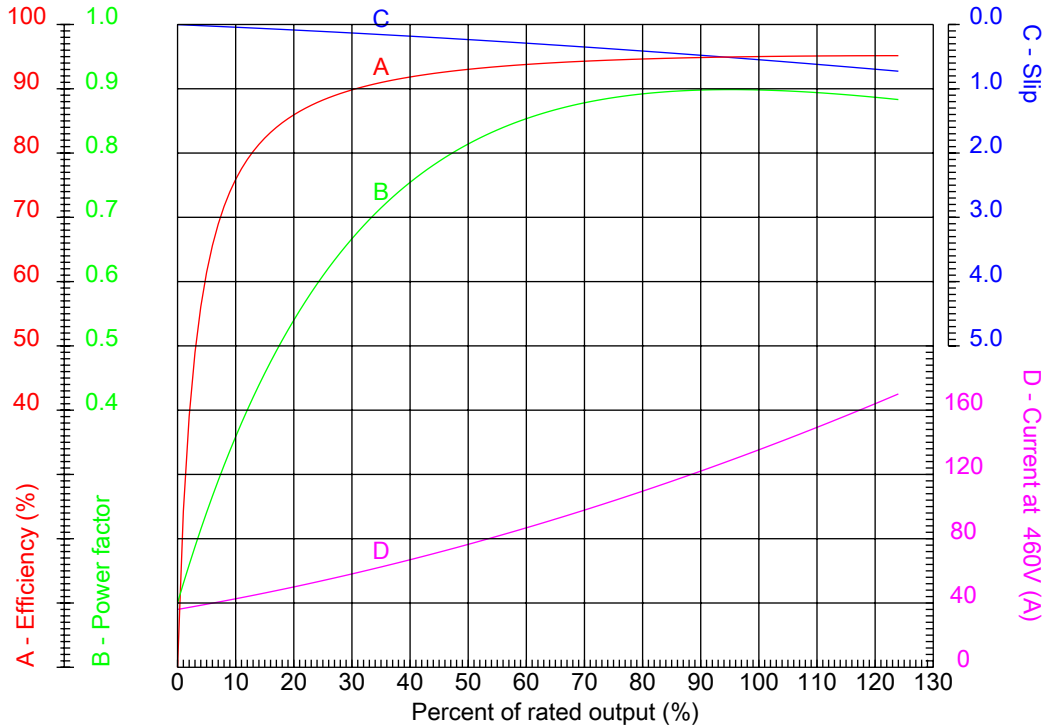
Dealers Industrial Equipment

No.:

Date: 27-SEP-2016

PERFORMANCE CURVES RELATED TO RATED OUTPUT

Three-phase induction motor - Squirrel cage rotor



Customer :
 Product line : Three-Phase: W22 IE3 IEC Tru-Metric - TEFC (IP55) Cast Iron Frame

Frame	: 280S/M	Locked rotor current (I _l /I _n)	: 7.7
Output	: 125 HP	Duty cycle	: S1
Frequency	: 60 Hz	Service factor	: 1.25
Full load speed	: 3580 rpm	Design	: ---
Voltage	: 460 V	Locked rotor torque	: 230 %
Rated current	: 132 A	Breakdown torque	: 330 %
Insulation class	: F		

Notes:
 Downloaded from <http://dealerselectric.com>
 Generated for Model #09036ET3Y280S/M-W22

Performed by	Checked
--------------	---------



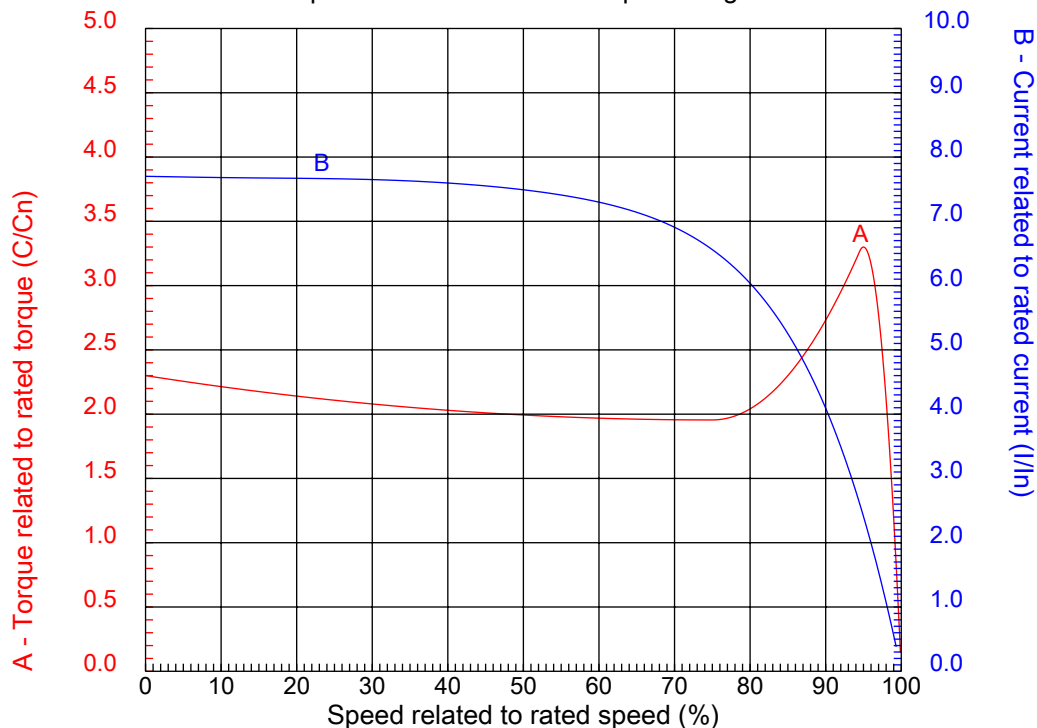
Dealers Industrial Equipment

No.:

Date: 27-SEP-2016

CHARACTERISTIC CURVES RELATED TO SPEED

Three-phase induction motor - Squirrel cage rotor



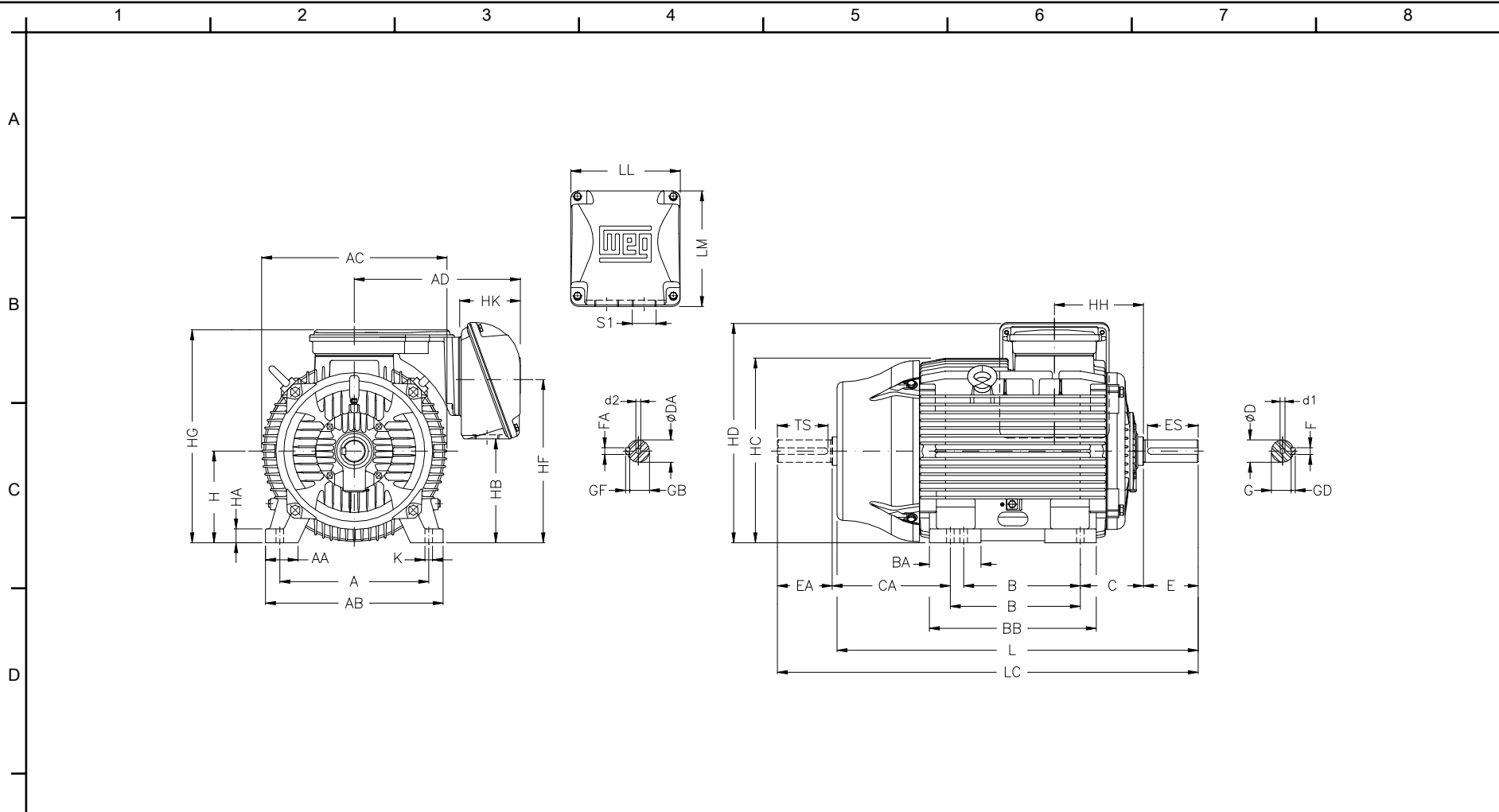
Customer :
Product line : Three-Phase: W22 IE3 IEC Tru-Metric - TEFC (IP55) Cast Iron Frame

Frame	: 280S/M	Locked rotor current (I _l /I _n)	: 7.7
Output	: 125 HP	Duty cycle	: S1
Frequency	: 60 Hz	Service factor	: 1.25
Full load speed	: 3580 rpm	Design	: ---
Voltage	: 460 V	Locked rotor torque	: 230 %
Rated current	: 132 A	Breakdown torque	: 330 %
Insulation class	: F		

Notes:
Downloaded from <http://dealerselectric.com>
Generated for Model #09036ET3Y280S/M-W22

Performed by

Checked



Notes: Downloaded from <http://dealerselectric.com>
 Generated for Model #09036ET3Y280S/M-W22

A	AA	AB	AC	AD
457	100	557	599	445
B	BA	BB	C	CA
368/419	151	517	190	385/334
D	E	ES	F	G
65m6	140	125	18	58
GD	DA	EA	TS	FA
11	60m6	140	125	18
GB	GF	H	HA	HC
53	11	280	42	580
HD	K	L	LC	S1
700	24	1071	1223	2xM63x1,5
d1	d2			
DM20	DM20			

Performed by:	
Checked:	
Customer:	
Three-Phase: W22 IE3 IEC Tru-Metric - TEFC (IP55) Cast Iron Frame	
Three-phase induction motor Frame 280S/M - IP55	27-SEP-2016

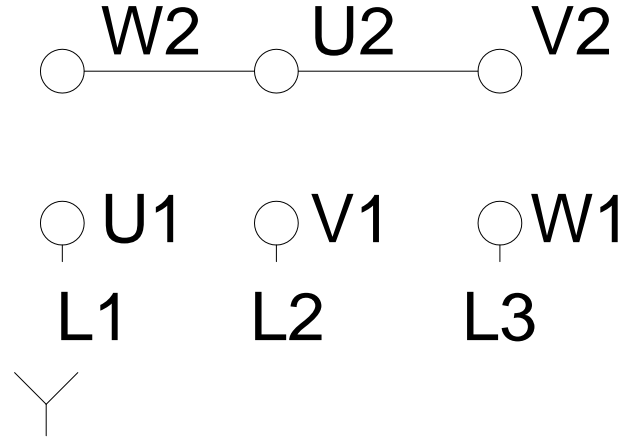
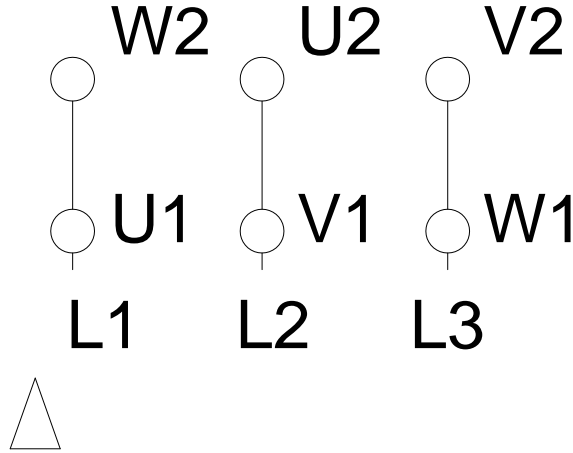


1 2 3 4 5 6 7 8

LOW VOLTAGE

HIGH VOLTAGE

A
B
C
D
E
F



Notes: Downloaded from http://dealerselectric.com Generated for Model #09036ET3Y280S/M-W22		
Performed by:		
Checked:		
Customer:		
Three-Phase: W22 IE3 IEC Tru-Metric - TEFC (IP55) Cast Iron Frame		
Three-phase induction motor Frame 280S/M - IP55	27-SEP-2016	