



Dealers Industrial Equipment

No.:

Date: 27-SEP-2016

Customer :

TECHNICAL PROPOSAL

Three-phase induction motor - Squirrel cage rotor

Product line : Three-Phase: W22 IE2 IEC Tru-Metric - TEFC (IP55) Cast Iron Frame

Catalog Number : 09009EP3Y315S/M-W22

List Price : \$19,007

Notes:

Downloaded from <http://dealerselectric.com>

Generated for Model #09009EP3Y315S/M-W22

Performed by:

Checked:



Dealers Industrial Equipment

No.:

Date: 27-SEP-2016

DATA SHEET Three-phase induction motor - Squirrel cage rotor

Customer :
 Product line : Three-Phase: W22 IE2 IEC Tru-Metric - TEFC (IP55) Cast Iron Frame

Frame : 315S/M
 Output : 125 HP
 Frequency : 60 Hz
 Poles : 8
 Full load speed : 890 rpm
 Slip : 1.11 %
 Voltage : 460 V
 Rated current : 148 A
 Locked rotor current : 1020 A
 Locked rotor current (I_L/I_n) : 6.9
 No-load current : 64.3 A
 Full load torque : 728 lb.ft
 Locked rotor torque : 220 %
 Breakdown torque : 230 %
 Design : ---
 Insulation class : F
 Temperature rise : 80 K
 Locked rotor time : 26 s (hot)
 Service factor : 1.15
 Duty cycle : S1
 Ambient temperature : -20°C - +40°C
 Altitude : 1000 m
 Degree of Protection : IP55
 Approximate weight : 2249 lb
 Moment of inertia : 90.821 sq.ft.lb
 Noise level : 66 dB(A)

	D.E.	N.D.E.
Bearings	6319 C3	6316 C3
Regreasing interval	17000 h	20000 h
Grease amount	45 g	34 g

Load	Power factor	Efficiency (%)
100%	0.81	94.5
75%	0.77	94.5
50%	0.65	94.1

Notes:
 Downloaded from <http://dealerselectric.com>
 Generated for Model #09009EP3Y315S/M-W22

Performed by

Checked



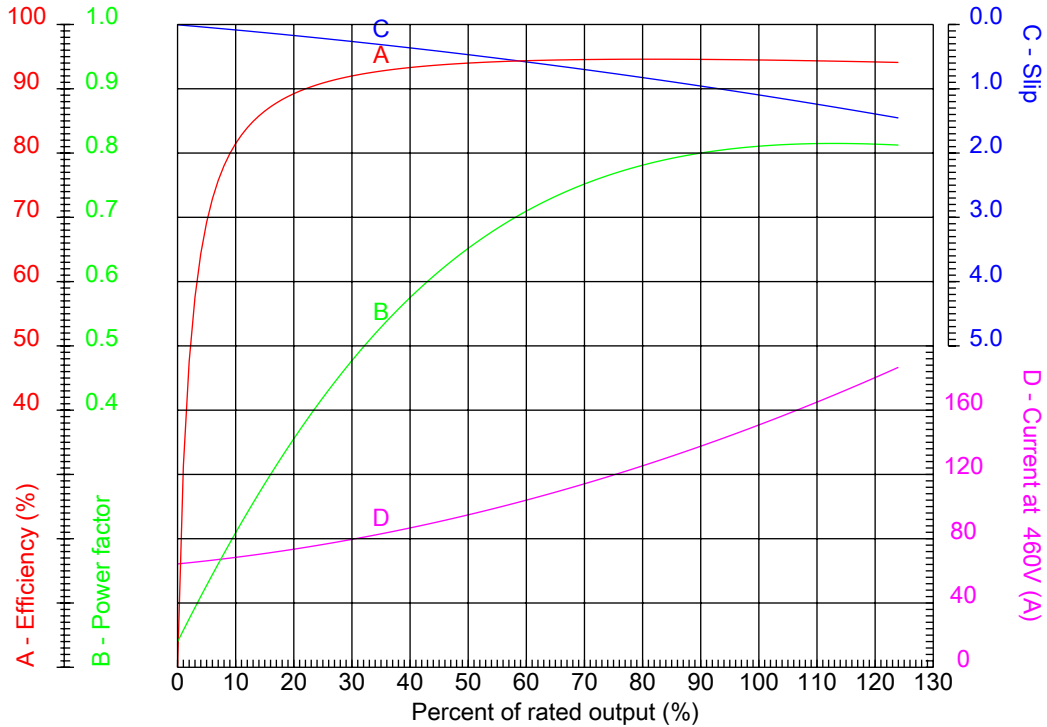
Dealers Industrial Equipment

No.:

Date: 27-SEP-2016

PERFORMANCE CURVES RELATED TO RATED OUTPUT

Three-phase induction motor - Squirrel cage rotor



Customer :
 Product line : Three-Phase: W22 IE2 IEC Tru-Metric - TEFC (IP55) Cast Iron Frame

Frame	: 315S/M	Locked rotor current (I _l /I _n)	: 6.9
Output	: 125 HP	Duty cycle	: S1
Frequency	: 60 Hz	Service factor	: 1.15
Full load speed	: 890 rpm	Design	: ---
Voltage	: 460 V	Locked rotor torque	: 220 %
Rated current	: 148 A	Breakdown torque	: 230 %
Insulation class	: F		

Notes:
 Downloaded from <http://dealerselectric.com>
 Generated for Model #09009EP3Y315S/M-W22

Performed by

Checked



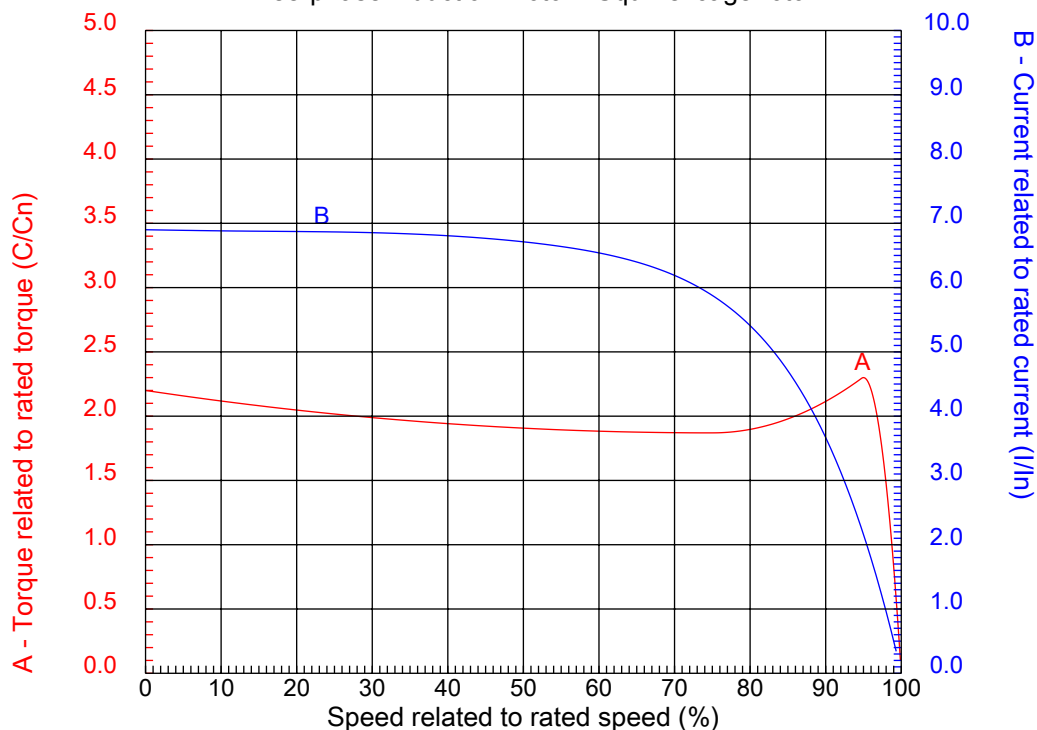
Dealers Industrial Equipment

No.:

Date: 27-SEP-2016

CHARACTERISTIC CURVES RELATED TO SPEED

Three-phase induction motor - Squirrel cage rotor



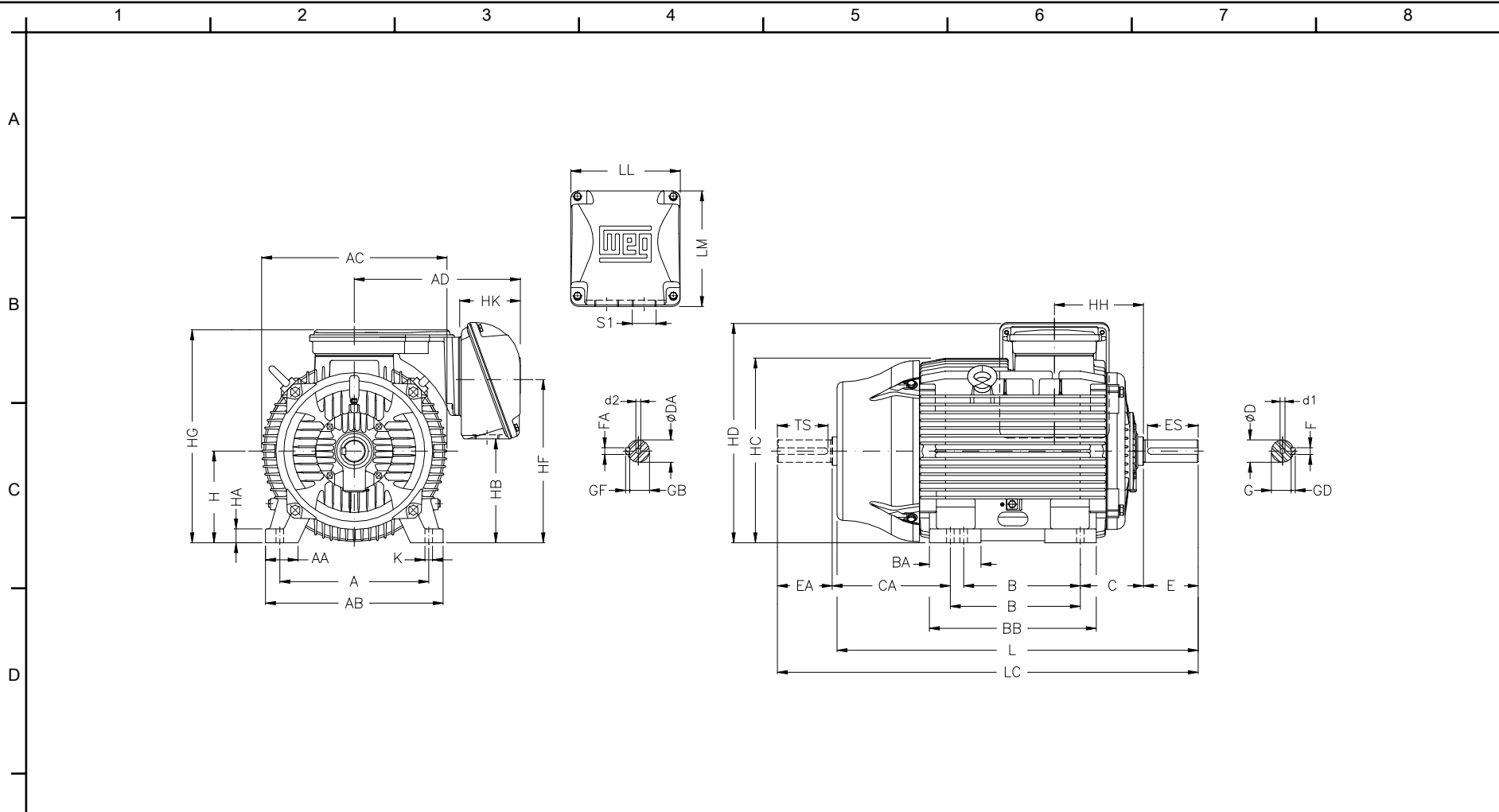
Customer :
Product line : Three-Phase: W22 IE2 IEC Tru-Metric - TEFC (IP55) Cast Iron Frame

Frame	: 315S/M	Locked rotor current (I/I _n)	: 6.9
Output	: 125 HP	Duty cycle	: S1
Frequency	: 60 Hz	Service factor	: 1.15
Full load speed	: 890 rpm	Design	: ---
Voltage	: 460 V	Locked rotor torque	: 220 %
Rated current	: 148 A	Breakdown torque	: 230 %
Insulation class	: F		

Notes:
Downloaded from <http://dealerselectric.com>
Generated for Model #09009EP3Y315S/M-W22

Performed by

Checked



Notes: Downloaded from <http://dealerselectric.com>
 Generated for Model #09009EP3Y315S/M-W22

A	AA	AB	AC	AD
508	120	630	657	525
B	BA	BB	C	CA
406/457	184	621	216	494/443
D	E	ES	F	G
80m6	170	160	22	71
GD	DA	EA	TS	FA
14	65m6	140	125	18
GB	GF	H	HA	HB
58	11	315	48	386
HC	HD	HF	HG	HH
644	768	592	751	264
HK	K	L	LC	LL
176	28	1274	1426	379
LM	S1	d1	d2	
382	2xM63x1.5	DM20	DM20	

Performed by:

Checked:

Customer:

Three-Phase: W22 IE2 IEC Tru-Metric - TEFC (IP55) Cast Iron Frame

Three-phase induction motor
 Frame 315S/M - IP55

27-SEP-2016

