



Dealers Industrial Equipment

No.:

Date: 27-SEP-2016

Customer :

TECHNICAL PROPOSAL

Three-phase induction motor - Squirrel cage rotor

Product line : ODP – Open Induction Motors – NEMA Premium Efficiency

Catalog Number : 07536OT3H364TS

List Price : \$5,799

Notes:

Downloaded from <http://dealerselectric.com>

Generated for Model #07536OT3H364TS

Performed by:

Checked:



Dealers Industrial Equipment

No.:

Date: 27-SEP-2016

DATA SHEET Three-phase induction motor - Squirrel cage rotor

Customer :
 Product line : ODP – Open Induction Motors – NEMA Premium Efficiency

Frame : 364TS
 Output : 75 HP
 Frequency : 60 Hz
 Poles : 2
 Full load speed : 3560 rpm
 Slip : 1.11 %
 Voltage : 575 V
 Rated current : 66.7 A
 Locked rotor current : 427 A
 Locked rotor current (I_L/I_n) : 6.4
 No-load current : 18.8 A
 Full load torque : 109 lb.ft
 Locked rotor torque : 180 %
 Breakdown torque : 280 %
 Design : B
 Insulation class : F
 Temperature rise : 80 K
 Locked rotor time : 14 s (hot)
 Service factor : 1.15
 Duty cycle : S1
 Ambient temperature : -20°C - +40°C
 Altitude : 1000 m
 Degree of Protection : IP23
 Approximate weight : 526 lb
 Moment of inertia : 6.8107 sq.ft.lb
 Noise level : 80 dB(A)

	D.E.	N.D.E.
Bearings	6314 C3	6314 C3
Regreasing interval	14418 h	14418 h
Grease amount	27 g	27 g

Load	Power factor	Efficiency (%)
100%	0.88	94.1
75%	0.85	94.1
50%	0.78	93.6

Notes:
 Downloaded from <http://dealerselectric.com>
 Generated for Model #07536OT3H364TS

Performed by

Checked



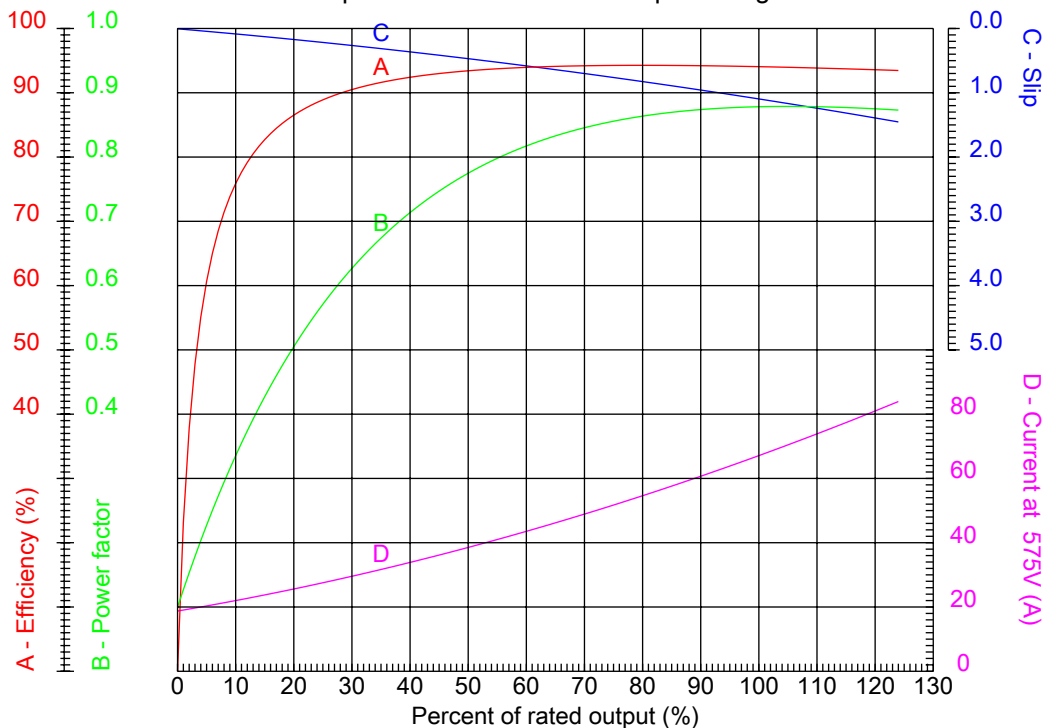
Dealers Industrial Equipment

No.:

Date: 27-SEP-2016

PERFORMANCE CURVES RELATED TO RATED OUTPUT

Three-phase induction motor - Squirrel cage rotor



Customer :
 Product line : ODP – Open Induction Motors – NEMA Premium Efficiency

Frame : 364TS	Locked rotor current (I _L /I _n) : 6.4
Output : 75 HP	Duty cycle : S1
Frequency : 60 Hz	Service factor : 1.15
Full load speed : 3560 rpm	Design : B
Voltage : 575 V	Locked rotor torque : 180 %
Rated current : 66.7 A	Breakdown torque : 280 %
Insulation class : F	

Notes:
 Downloaded from <http://dealerselectric.com>
 Generated for Model #07536OT3H364TS

Performed by

Checked



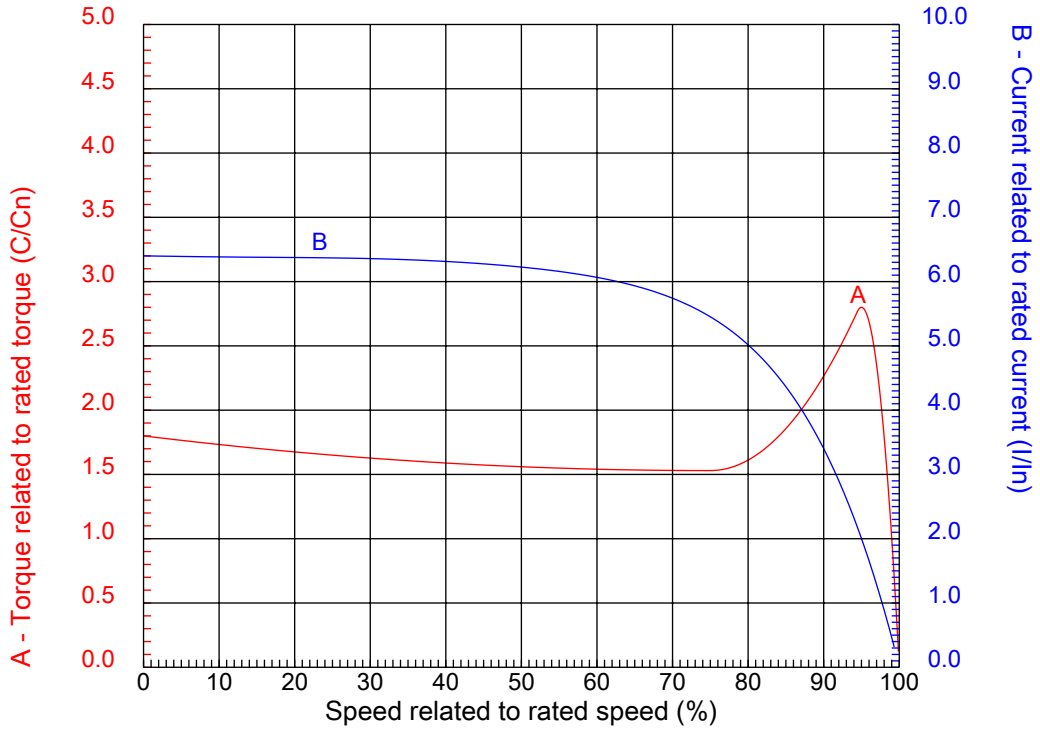
Dealers Industrial Equipment

No.:

Date: 27-SEP-2016

CHARACTERISTIC CURVES RELATED TO SPEED

Three-phase induction motor - Squirrel cage rotor



Customer :
Product line : ODP – Open Induction Motors – NEMA Premium Efficiency

Frame	: 364TS	Locked rotor current (I _l /I _{ln})	: 6.4
Output	: 75 HP	Duty cycle	: S1
Frequency	: 60 Hz	Service factor	: 1.15
Full load speed	: 3560 rpm	Design	: B
Voltage	: 575 V	Locked rotor torque	: 180 %
Rated current	: 66.7 A	Breakdown torque	: 280 %
Insulation class	: F		

Notes:
Downloaded from <http://dealerselectric.com>
Generated for Model #07536OT3H364TS

Performed by

Checked

1 2 3 4 5 6 7 8

A

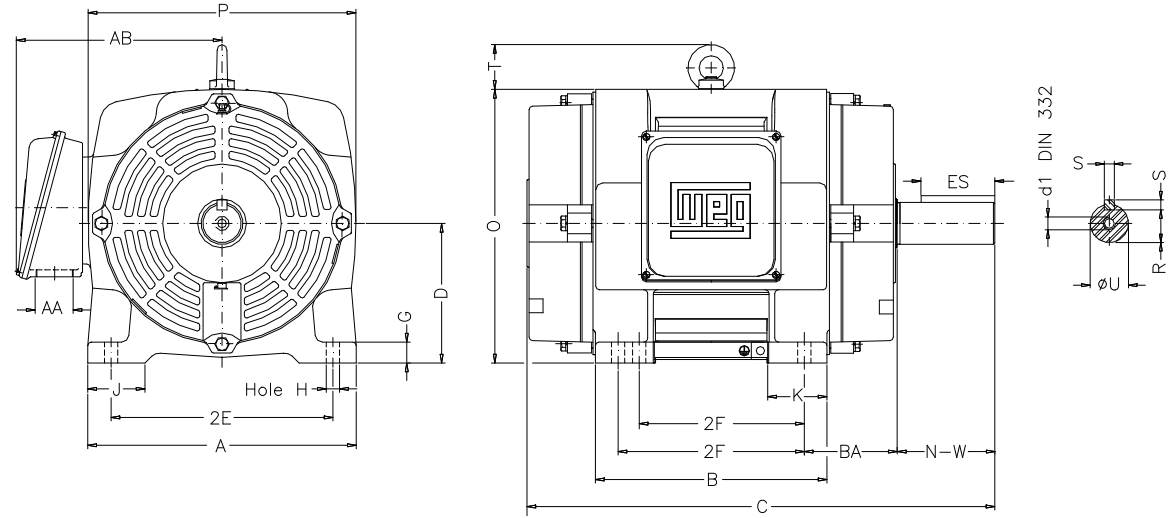
B

C

D

E

F



Notes: Downloaded from <http://dealerselectric.com>
Generated for Model #07536OT3H364TS

Performed by:

Checked:

Customer:

ODP – Open Induction Motors – NEMA Premium Efficiency

2E 14.000	J 3.150	A 17.170	P 17.874	AB 16.378
2F 11.250/12.250	K 4.140	B 15.400	BA 5.875	U 1.875
d1 DUNC 3/4"-10	N-W 3.748	ES 1.968	S 0.500	R 1.591
depth 0.500	D 9.000	G 1.480	O 18.425	T 2.795
H 0.657	C 27.638	AA NPT 3"		

Three-phase induction motor
Frame 364TS - IP23

27-SEP-2016



1 2 3 4 5 6 7 8

A
B
C
D
E
F

RUN



ONLY FOR START



Notes: Downloaded from http://dealerselectric.com Generated for Model #07536OT3H364TS		
Performed by:		
Checked:		
Customer:		
ODP – Open Induction Motors – NEMA Premium Efficiency		
Three-phase induction motor Frame 364TS - IP23	27-SEP-2016	