



Dealers Industrial Equipment

No.:

Date: 27-SEP-2016

Customer :

TECHNICAL PROPOSAL

Three-phase induction motor - Squirrel cage rotor

Product line : Close Coupled Pump : Three-Phase - "JM" Type - ODP - High Efficiency

Catalog Number : 07536OP3E364JM

List Price : \$6,226

Notes:

Downloaded from <http://dealerselectric.com>

Generated for Model #07536OP3E364JM

Performed by:

Checked:



Dealers Industrial Equipment

No.:

Date: 27-SEP-2016

DATA SHEET Three-phase induction motor - Squirrel cage rotor

Customer :
 Product line : Close Coupled Pump : Three-Phase - "JM" Type - ODP - High Efficiency

Frame : 364JM
 Output : 75 HP
 Frequency : 60 Hz
 Poles : 2
 Full load speed : 3555 rpm
 Slip : 1.25 %
 Voltage : 230/460 V
 Rated current : 169/84.3 A
 Locked rotor current : 1060/531 A
 Locked rotor current (I_L/I_n) : 6.3
 No-load current : 56.0/28.0 A
 Full load torque : 109 lb.ft
 Locked rotor torque : 180 %
 Breakdown torque : 270 %
 Design : B
 Insulation class : F
 Temperature rise : 80 K
 Locked rotor time : 15 s (hot)
 Service factor : 1.15
 Duty cycle : S1
 Ambient temperature : -20°C - +40°C
 Altitude : 1000 m
 Degree of Protection : IP23
 Approximate weight : 695 lb
 Moment of inertia : 6.8110 sq.ft.lb
 Noise level : 80 dB(A)

	D.E.	N.D.E.
Bearings	6314 C3	6314 C3
Regreasing interval	14418 h	14418 h
Grease amount	27 g	27 g

Load	Power factor	Efficiency (%)
100%	0.88	93.0
75%	0.86	93.0
50%	0.80	92.4

Notes:
 Downloaded from <http://dealerselectric.com>
 Generated for Model #07536OP3E364JM

Performed by

Checked



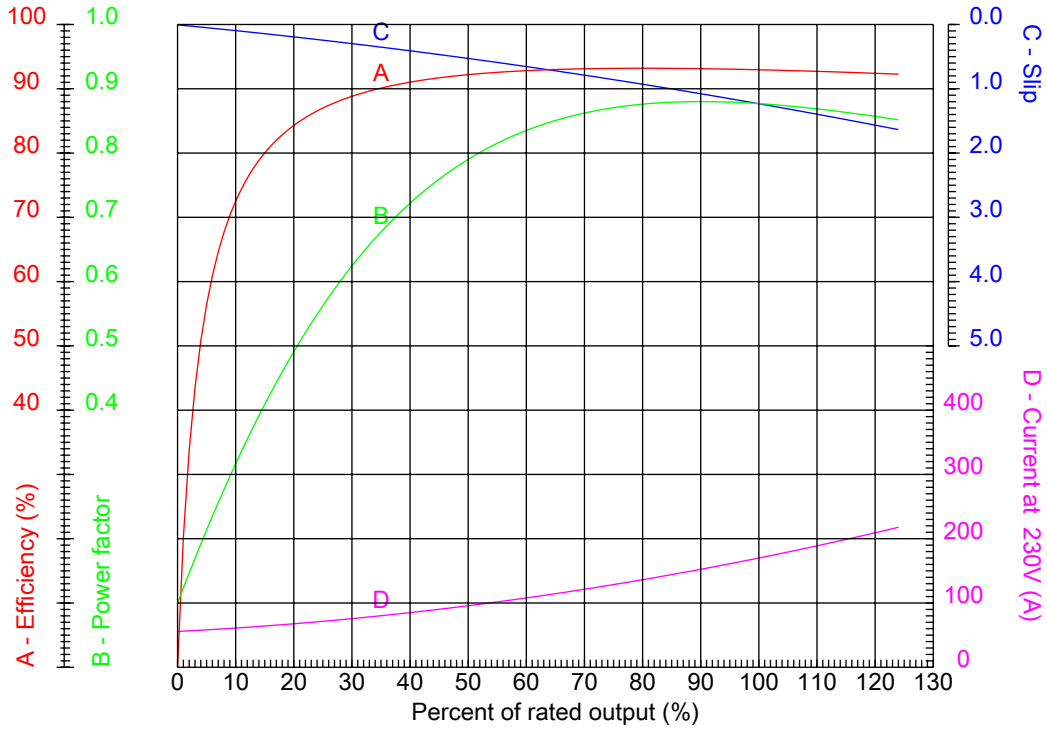
Dealers Industrial Equipment

No.:

Date: 27-SEP-2016

PERFORMANCE CURVES RELATED TO RATED OUTPUT

Three-phase induction motor - Squirrel cage rotor



Customer :
 Product line : Close Coupled Pump : Three-Phase - "JM" Type - ODP - High Efficiency

Frame	: 364JM	Locked rotor current (I _l /I _n)	: 6.3
Output	: 75 HP	Duty cycle	: S1
Frequency	: 60 Hz	Service factor	: 1.15
Full load speed	: 3555 rpm	Design	: B
Voltage	: 230/460 V	Locked rotor torque	: 180 %
Rated current	: 169/84.3 A	Breakdown torque	: 270 %
Insulation class	: F		

Notes:
 Downloaded from <http://dealerselectric.com>
 Generated for Model #07536OP3E364JM

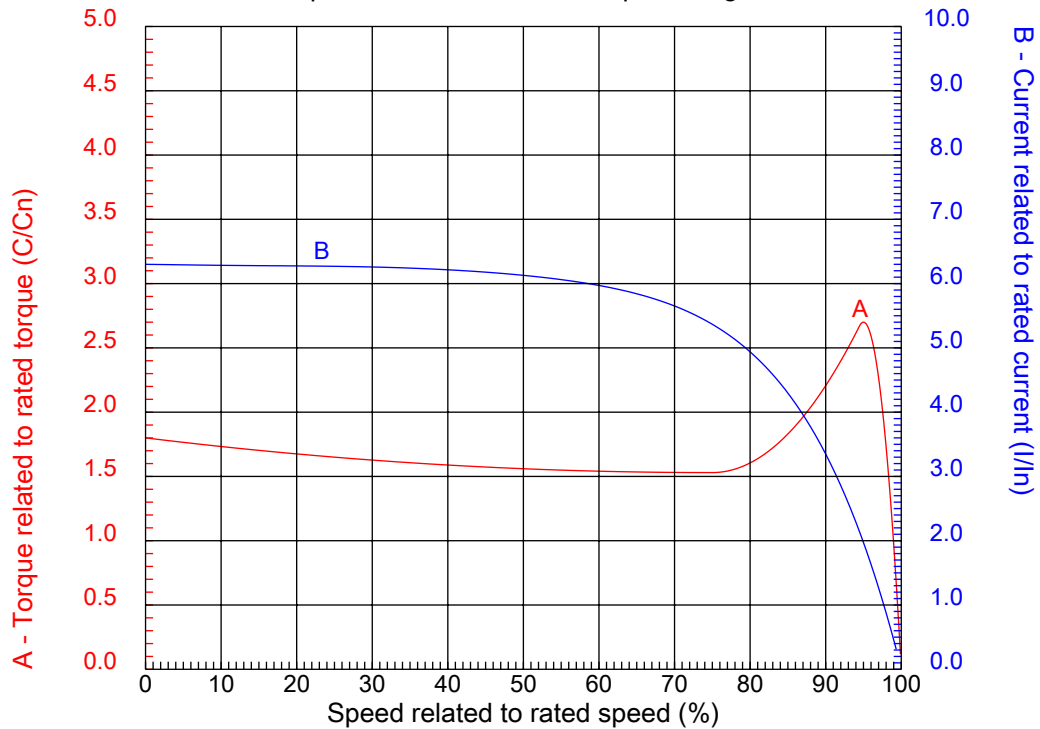
Performed by

Checked



CHARACTERISTIC CURVES RELATED TO SPEED

Three-phase induction motor - Squirrel cage rotor



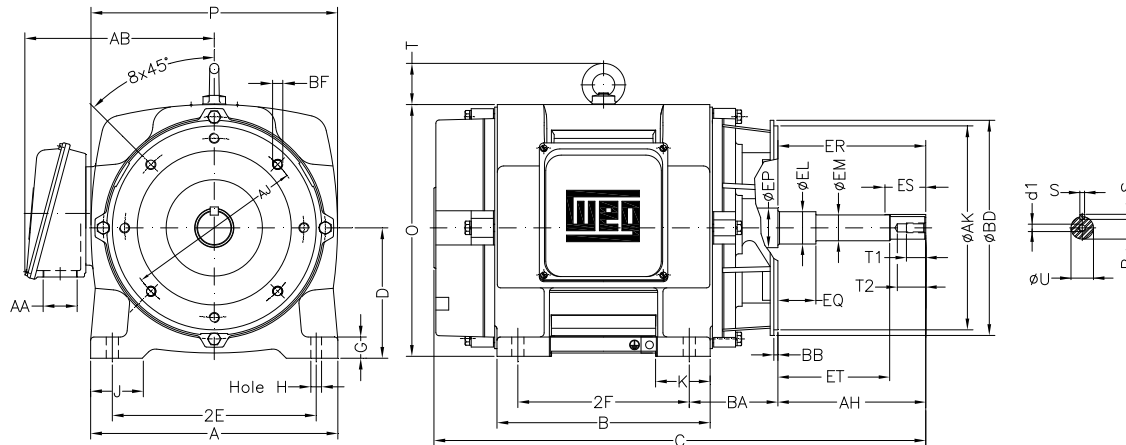
Customer :
Product line : Close Coupled Pump : Three-Phase - "JM" Type - ODP - High Efficiency

Frame	: 364JM	Locked rotor current (I _l /I _n)	: 6.3
Output	: 75 HP	Duty cycle	: S1
Frequency	: 60 Hz	Service factor	: 1.15
Full load speed	: 3555 rpm	Design	: B
Voltage	: 230/460 V	Locked rotor torque	: 180 %
Rated current	: 169/84.3 A	Breakdown torque	: 270 %
Insulation class	: F		

Notes:
Downloaded from <http://dealerselectric.com>
Generated for Model #07536OP3E364JM

Performed by

Checked



Notes: Downloaded from <http://dealerselectric.com>
Generated for Model #07536OP3E364JM

2E	A	2F	B	J
14.000	17.170	11.250/12.250	15.400	3.150
BA	D	K	G	O
5.875	9.000	4.140	1.480	18.425
P	T	AB	H	AA
17.874	2.795	16.378	0.657	NPT 3"
ER	EQ	ET	U	EM
5.250	0.630	3.006	1.249	1.375
EL	S	EP	R	ES
1.750	0.250	2.754	1.110	2.480
d1	t1	t2	C	Flange
EUNC 1/2"-13	0.984	1.496	29.139	FC-279
AJ	AK	BD	BF	BB
11.000	12.500	13.189	UNC 5/8"x11	0.250
AH				
5.250				

Performed by:

Checked:

Customer:

Close Coupled Pump : Three-Phase - "JM" Type - ODP - High Efficiency

Three-phase induction motor
Frame 364JM - IP23

27-SEP-2016



1 2 3 4 5 6 7 8

A
B
C
D
E
F

LOW VOLTAGE

HIGH VOLTAGE



CONNECTIONS FOR STARTING ONLY:

LOW VOLTAGE

HIGH VOLTAGE



Notes: Downloaded from <http://dealerselectric.com>
Generated for Model #07536OP3E364JM

Performed by:

Checked:

Customer:

Close Coupled Pump : Three-Phase - "JM" Type - ODP - High Efficiency

Three-phase induction motor
Frame 364JM - IP23

27-SEP-2016

