



Dealers Industrial Equipment

No.:

Date: 27-SEP-2016

Customer :

TECHNICAL PROPOSAL

Three-phase induction motor - Squirrel cage rotor

Product line : Three-Phase: W22 IE3 IEC Tru-Metric - TEFC (IP55) Cast Iron Frame

Catalog Number : 07536ET3Y280S/M-W22

List Price : \$12,472

Notes:

Downloaded from <http://dealerselectric.com>

Generated for Model #07536ET3Y280S/M-W22

Performed by:

Checked:



Dealers Industrial Equipment

No.:

Date: 27-SEP-2016

DATA SHEET

Three-phase induction motor - Squirrel cage rotor

Customer :
 Product line : Three-Phase: W22 IE3 IEC Tru-Metric - TEFC (IP55) Cast Iron Frame

Frame : 280S/M
 Output : 100 HP
 Frequency : 60 Hz
 Poles : 2
 Full load speed : 3580 rpm
 Slip : 0.56 %
 Voltage : 460 V
 Rated current : 111 A
 Locked rotor current : 877 A
 Locked rotor current (I_L/I_n) : 7.9
 No-load current : 29.7 A
 Full load torque : 145 lb.ft
 Locked rotor torque : 240 %
 Breakdown torque : 350 %
 Design : ---
 Insulation class : F
 Temperature rise : 80 K
 Locked rotor time : 59 s (hot)
 Service factor : 1.25
 Duty cycle : S1
 Ambient temperature : -20°C - +40°C
 Altitude : 1000 m
 Degree of Protection : IP55
 Approximate weight : 1603 lb
 Moment of inertia : 28.636 sq.ft.lb
 Noise level : 81 dB(A)

	D.E.	N.D.E.
Bearings	6314 C3	6314 C3
Regreasing interval	4000 h	4000 h
Grease amount	27 g	27 g

Load	Power factor	Efficiency (%)
100%	0.90	94.5
75%	0.87	94.1
50%	0.80	92.4

Notes:
 Downloaded from <http://dealerselectric.com>
 Generated for Model #07536ET3Y280S/M-W22

Performed by

Checked



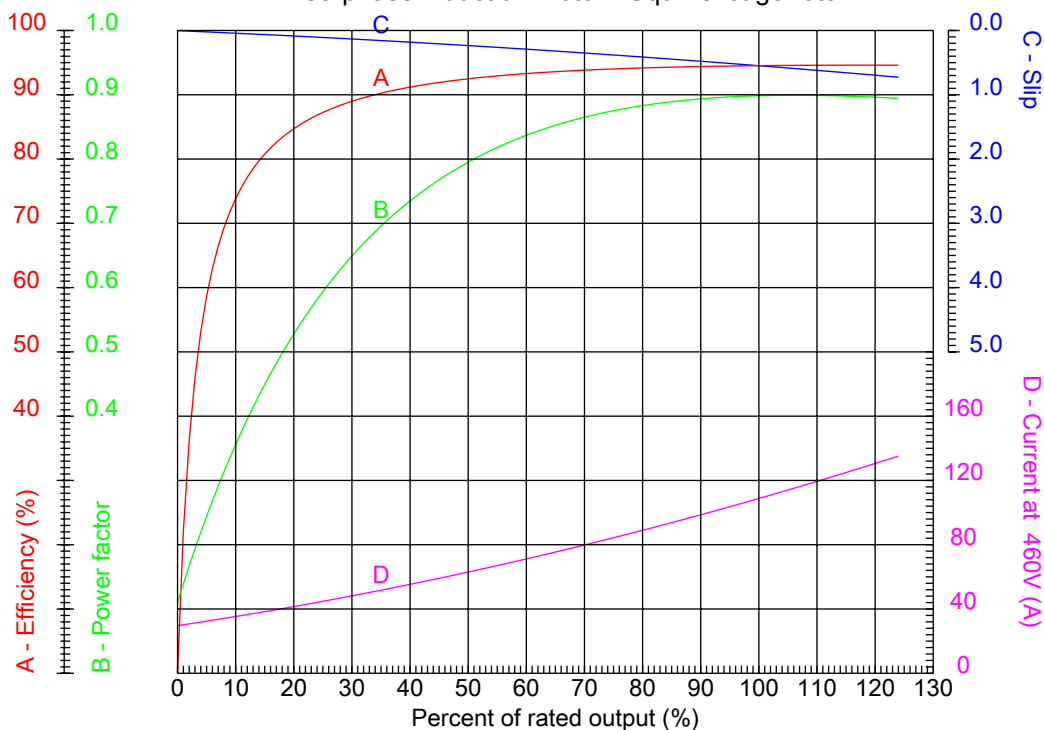
Dealers Industrial Equipment

No.:

Date: 27-SEP-2016

PERFORMANCE CURVES RELATED TO RATED OUTPUT

Three-phase induction motor - Squirrel cage rotor



Customer :
 Product line : Three-Phase: W22 IE3 IEC Tru-Metric - TEFC (IP55) Cast Iron Frame

Frame : 280S/M	Locked rotor current (I _l /I _n) : 7.9
Output : 100 HP	Duty cycle : S1
Frequency : 60 Hz	Service factor : 1.25
Full load speed : 3580 rpm	Design : ---
Voltage : 460 V	Locked rotor torque : 240 %
Rated current : 111 A	Breakdown torque : 350 %
Insulation class : F	

Notes:
 Downloaded from <http://dealerselectric.com>
 Generated for Model #07536ET3Y280S/M-W22

Performed by

Checked



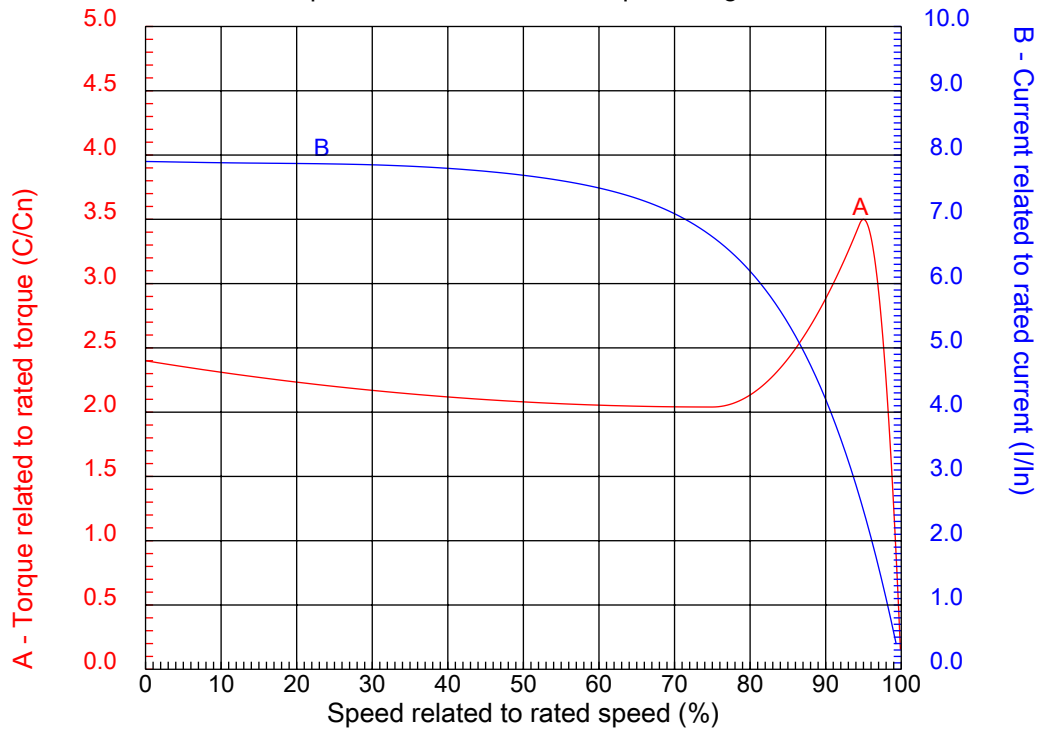
Dealers Industrial Equipment

No.:

Date: 27-SEP-2016

CHARACTERISTIC CURVES RELATED TO SPEED

Three-phase induction motor - Squirrel cage rotor



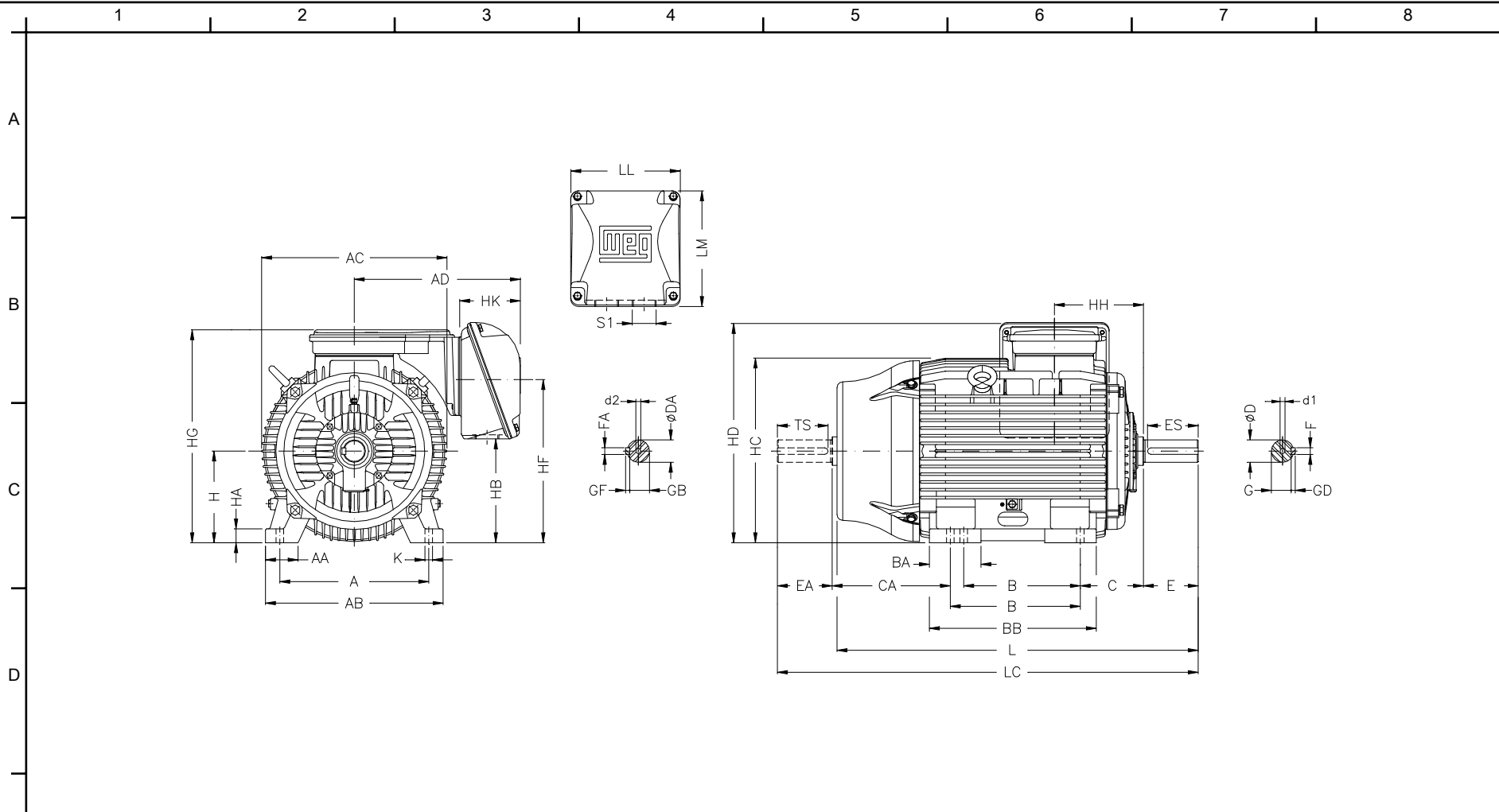
Customer :
Product line : Three-Phase: W22 IE3 IEC Tru-Metric - TEFC (IP55) Cast Iron Frame

Frame	: 280S/M	Locked rotor current (I _l /I _n)	: 7.9
Output	: 100 HP	Duty cycle	: S1
Frequency	: 60 Hz	Service factor	: 1.25
Full load speed	: 3580 rpm	Design	: ---
Voltage	: 460 V	Locked rotor torque	: 240 %
Rated current	: 111 A	Breakdown torque	: 350 %
Insulation class	: F		

Notes:
Downloaded from <http://dealerselectric.com>
Generated for Model #07536ET3Y280S/M-W22

Performed by

Checked



Notes: Downloaded from <http://dealerselectric.com>
 Generated for Model #07536ET3Y280S/M-W22

A	AA	AB	AC	AD
457	100	557	599	445
B	BA	BB	C	CA
368/419	151	517	190	385/334
D	E	ES	F	G
65m6	140	125	18	58
GD	DA	EA	TS	FA
11	60m6	140	125	18
GB	GF	H	HA	HC
53	11	280	42	580
HD	K	L	LC	S1
700	24	1071	1223	2xM63x1,5
d1	d2			
DM20	DM20			

Performed by:
 Checked:
 Customer:

Three-Phase: W22 IE3 IEC Tru-Metric - TEFC (IP55) Cast Iron Frame

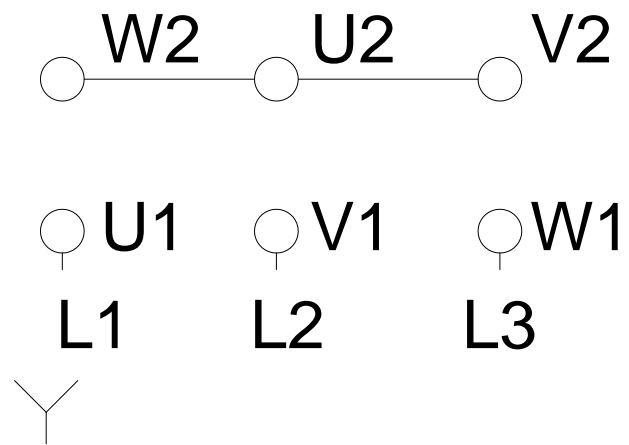
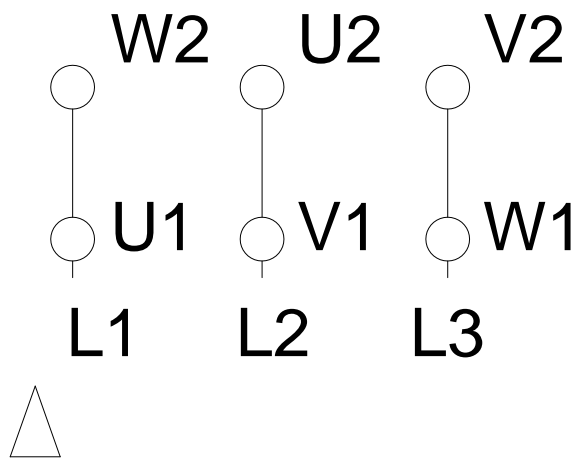
Three-phase induction motor
 Frame 280S/M - IP55

27-SEP-2016



LOW VOLTAGE

HIGH VOLTAGE



Notes: Downloaded from <http://dealerselectric.com>
Generated for Model #07536ET3Y280S/M-W22

Performed by:

Checked:

Customer:

Three-Phase: W22 IE3 IEC Tru-Metric - TEFC (IP55) Cast Iron Frame

Three-phase induction motor
Frame 280S/M - IP55

27-SEP-2016

