



Dealers Industrial Equipment

No.:

Date: 27-SEP-2016

Customer :

TECHNICAL PROPOSAL

Three-phase induction motor - Squirrel cage rotor

Product line : Close Coupled Pump : Three-Phase - "JP" Type - ODP - NEMA Premium

Catalog Number : 07518OT3H365JP

List Price : \$6,932

Notes:

Downloaded from <http://dealerselectric.com>

Generated for Model #07518OT3H365JP

Performed by:

Checked:



# Dealers Industrial Equipment

No.:

Date: 27-SEP-2016

## DATA SHEET

### Three-phase induction motor - Squirrel cage rotor

Customer :  
 Product line : Close Coupled Pump : Three-Phase - "JP" Type - ODP - NEMA Premium

Frame : 364/5JP  
 Output : 75 HP  
 Frequency : 60 Hz  
 Poles : 4  
 Full load speed : 1780 rpm  
 Slip : 1.11 %  
 Voltage : 575 V  
 Rated current : 66.8 A  
 Locked rotor current : 448 A  
 Locked rotor current (I<sub>L</sub>/I<sub>n</sub>) : 6.7  
 No-load current : 21.6 A  
 Full load torque : 218 lb.ft  
 Locked rotor torque : 210 %  
 Breakdown torque : 260 %  
 Design : B  
 Insulation class : F  
 Temperature rise : 80 K  
 Locked rotor time : 14 s (hot)  
 Service factor : 1.15  
 Duty cycle : S1  
 Ambient temperature : -20°C - +40°C  
 Altitude : 1000 m  
 Degree of Protection : IP23  
 Approximate weight : 825 lb  
 Moment of inertia : 19.514 sq.ft.lb  
 Noise level : 68 dB(A)

	D.E.	N.D.E.
Bearings	6314 C3	6314 C3
Regreasing interval	20000 h	20000 h
Grease amount	27 g	27 g

Load	Power factor	Efficiency (%)
100%	0.87	95.0
75%	0.84	95.0
50%	0.76	94.5

Notes:  
 Downloaded from <http://dealerselectric.com>  
 Generated for Model #07518OT3H365JP

Performed by

Checked



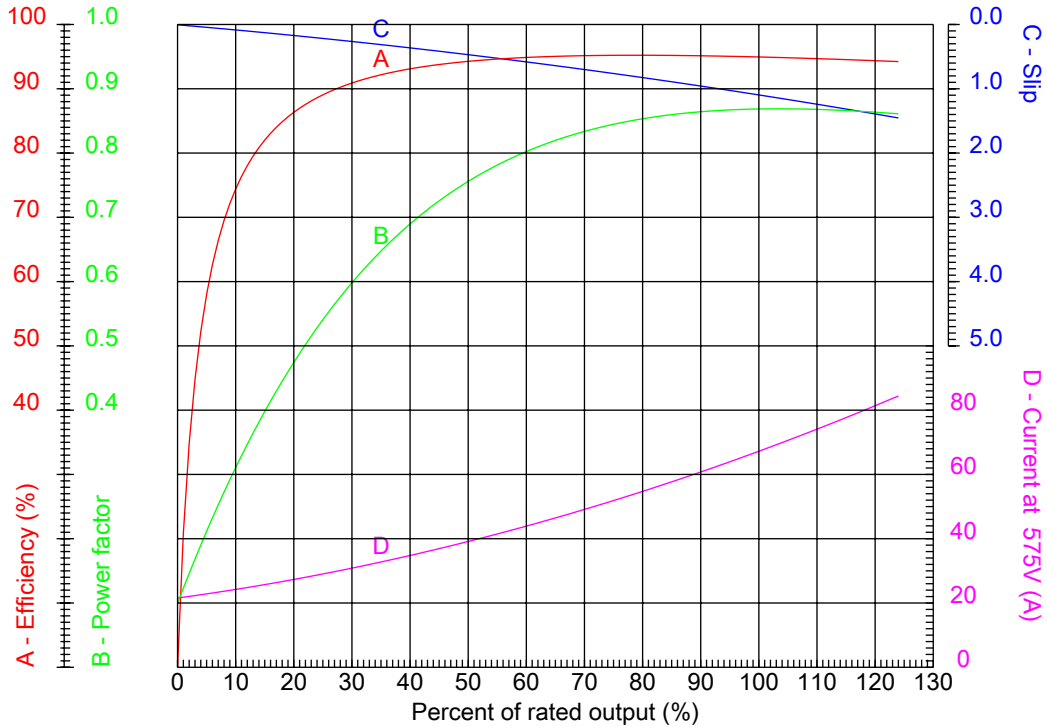
# Dealers Industrial Equipment

No.:

Date: 27-SEP-2016

## PERFORMANCE CURVES RELATED TO RATED OUTPUT

Three-phase induction motor - Squirrel cage rotor



Customer :  
 Product line : Close Coupled Pump : Three-Phase - "JP" Type - ODP - NEMA Premium

Frame	: 364/5JP	Locked rotor current (I <sub>l</sub> /I <sub>n</sub> )	: 6.7
Output	: 75 HP	Duty cycle	: S1
Frequency	: 60 Hz	Service factor	: 1.15
Full load speed	: 1780 rpm	Design	: B
Voltage	: 575 V	Locked rotor torque	: 210 %
Rated current	: 66.8 A	Breakdown torque	: 260 %
Insulation class	: F		

Notes:  
 Downloaded from <http://dealerselectric.com>  
 Generated for Model #07518OT3H365JP

Performed by

Checked



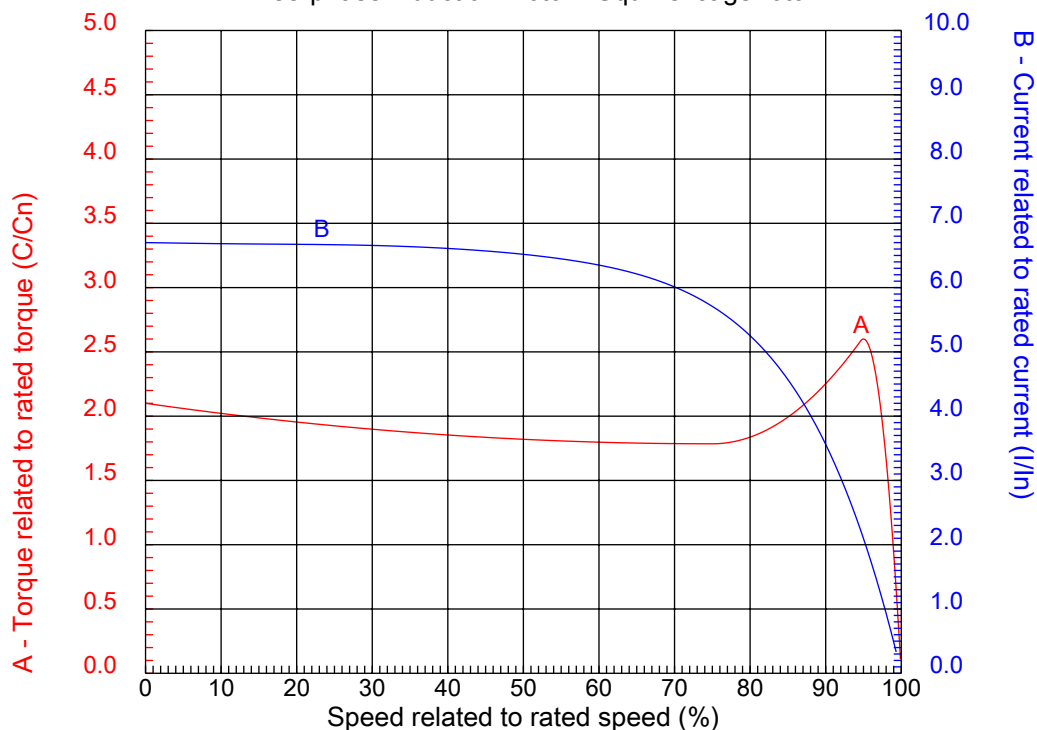
# Dealers Industrial Equipment

No.:

Date: 27-SEP-2016

## CHARACTERISTIC CURVES RELATED TO SPEED

Three-phase induction motor - Squirrel cage rotor



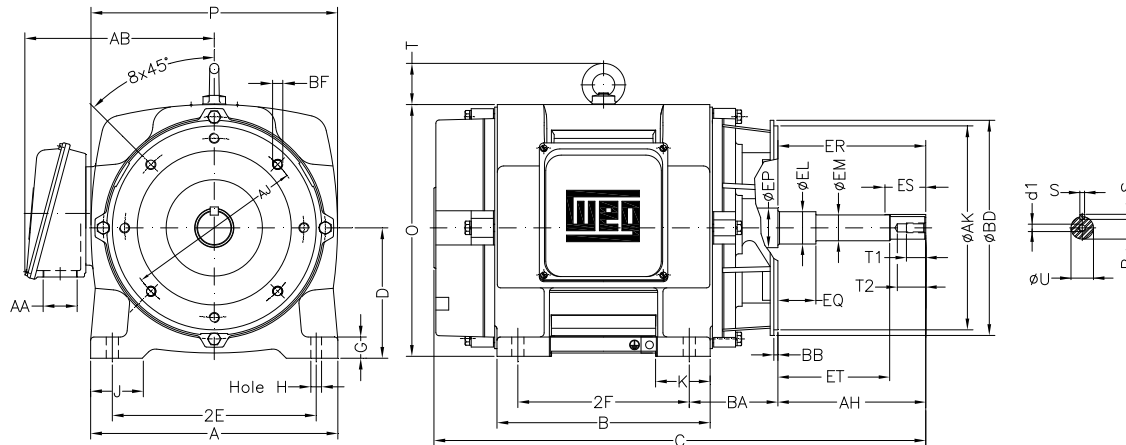
Customer :  
Product line : Close Coupled Pump : Three-Phase - "JP" Type - ODP - NEMA Premium

Frame	: 364/5JP	Locked rotor current (I <sub>l</sub> /I <sub>n</sub> )	: 6.7
Output	: 75 HP	Duty cycle	: S1
Frequency	: 60 Hz	Service factor	: 1.15
Full load speed	: 1780 rpm	Design	: B
Voltage	: 575 V	Locked rotor torque	: 210 %
Rated current	: 66.8 A	Breakdown torque	: 260 %
Insulation class	: F		

Notes:  
Downloaded from <http://dealerselectric.com>  
Generated for Model #07518OT3H365JP

Performed by

Checked



Notes: Downloaded from <http://dealerselectric.com>  
Generated for Model #07518OT3H365JP

2E	A	2F	B	J
14.000	17.170	11.250/12.250	15.400	3.150
BA	D	K	G	O
5.875	9.000	4.140	1.480	18.425
P	T	AB	H	AA
17.874	2.795	16.378	0.657	NPT 3"
ER	EQ	ET	U	EM
8.130	2.382	5.886	1.624	1.750
EL	S	EP	R	ES
2.125	0.375	2.756	1.413	2.480
d1	t1	t2	C	Flange
EUNC 1/2"-13	0.984	1.496	32.019	FC-279
AJ	AK	BD	BF	BB
11.000	12.500	13.189	UNC 5/8"x11	0.250
AH				
8.130				

Performed by:

Checked:

Customer:

Close Coupled Pump : Three-Phase - "JP" Type - ODP - NEMA Premium

Three-phase induction motor  
Frame 364/5JP - IP23

27-SEP-2016



1 2 3 4 5 6 7 8

A

B

C

D

E

F



Notes: Downloaded from <http://dealerselectric.com>  
Generated for Model #07518OT3H365JP

Performed by:

Checked:

Customer:

Close Coupled Pump : Three-Phase - "JP" Type - ODP - NEMA Premium

Three-phase induction motor  
Frame 364/5JP - IP23

27-SEP-2016

