



Dealers Industrial Equipment

No.:

Date: 27-SEP-2016

Customer :

TECHNICAL PROPOSAL

Three-phase induction motor - Squirrel cage rotor

Product line : W22 Super Premium
Catalog Number : 07518EG3E365T-W22
List Price : \$9,576

Notes:
Downloaded from <http://dealerselectric.com>
Generated for Model #07518EG3E365T-W22

Performed by:

Checked:



Dealers Industrial Equipment

No.:

Date: 27-SEP-2016

DATA SHEET Three-phase induction motor - Squirrel cage rotor

Customer :
Product line : W22 Super Premium

Frame : 364/5T
Output : 75 HP
Frequency : 60 Hz
Poles : 4
Full load speed : 1780 rpm
Slip : 1.11 %
Voltage : 208-230/460 V
Rated current : 192-174/86.8 A
Locked rotor current : 1460/729 A
Locked rotor current (I_L/I_n) : 8.4
No-load current : 76.0/38.0 A
Full load torque : 218 lb.ft
Locked rotor torque : 280 %
Breakdown torque : 320 %
Design : A
Insulation class : F
Temperature rise : 80 K
Locked rotor time : 16 s (hot)
Service factor : 1.25
Duty cycle : S1
Ambient temperature : -20°C - +40°C
Altitude : 1000 m
Degree of Protection : IP55
Approximate weight : 919 lb
Moment of inertia : 16.851 sq.ft.lb
Noise level : 67 dB(A)

	D.E.	N.D.E.
Bearings	6314 C3	6314 C3
Regreasing interval	12000 h	12000 h
Grease amount	27 g	27 g

Load	Power factor	Efficiency (%)
100%	0.83	95.8
75%	0.78	95.4
50%	0.68	94.5

Notes:
Downloaded from <http://dealerselectric.com>
Generated for Model #07518EG3E365T-W22

Performed by

Checked



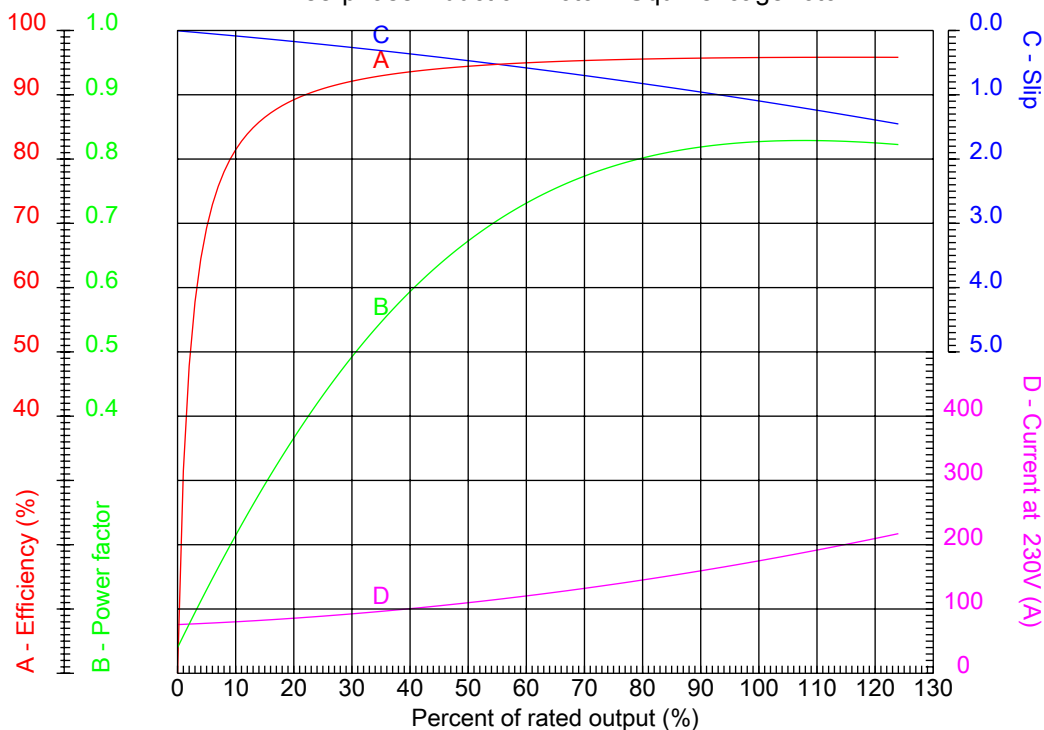
Dealers Industrial Equipment

No.:

Date: 27-SEP-2016

PERFORMANCE CURVES RELATED TO RATED OUTPUT

Three-phase induction motor - Squirrel cage rotor



Customer :
Product line : W22 Super Premium

Frame : 364/5T	Locked rotor current (I _l /I _n) : 8.4
Output : 75 HP	Duty cycle : S1
Frequency : 60 Hz	Service factor : 1.25
Full load speed : 1780 rpm	Design : A
Voltage : 208-230/460 V	Locked rotor torque : 280 %
Rated current : 192-174/86.8 A	Breakdown torque : 320 %
Insulation class : F	

Notes:
Downloaded from <http://dealerselectric.com>
Generated for Model #07518EG3E365T-W22

Performed by

Checked



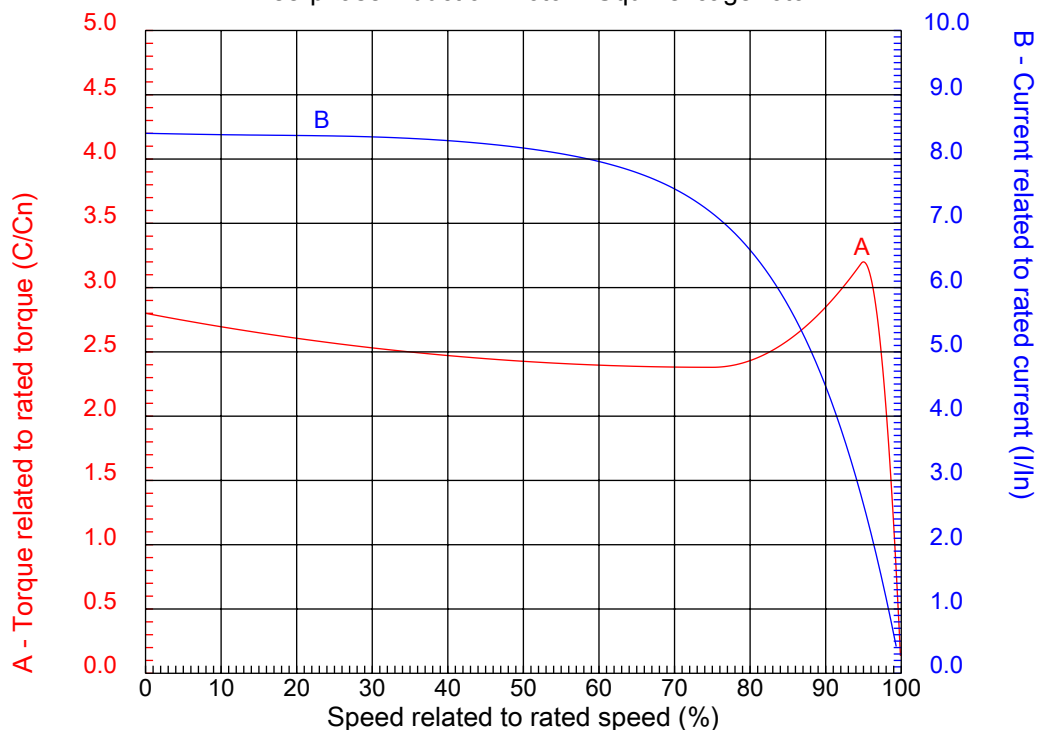
Dealers Industrial Equipment

No.:

Date: 27-SEP-2016

CHARACTERISTIC CURVES RELATED TO SPEED

Three-phase induction motor - Squirrel cage rotor



Customer :
Product line : W22 Super Premium

Frame	: 364/5T	Locked rotor current (I _l /I _n)	: 8.4
Output	: 75 HP	Duty cycle	: S1
Frequency	: 60 Hz	Service factor	: 1.25
Full load speed	: 1780 rpm	Design	: A
Voltage	: 208-230/460 V	Locked rotor torque	: 280 %
Rated current	: 192-174/86.8 A	Breakdown torque	: 320 %
Insulation class	: F		

Notes:
Downloaded from <http://dealerselectric.com>
Generated for Model #07518EG3E365T-W22

Performed by

Checked

1 2 3 4 5 6 7 8

A

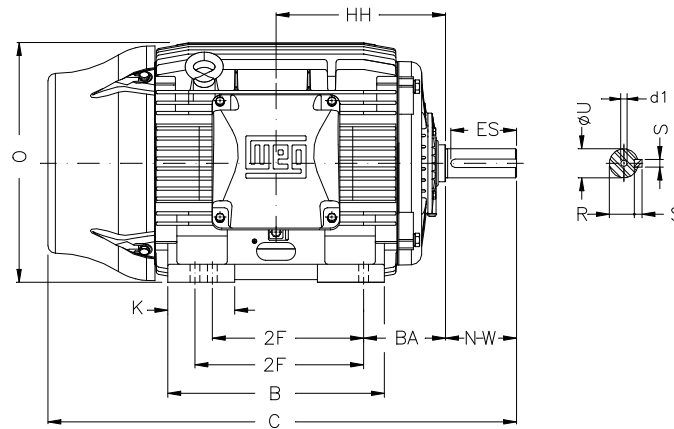
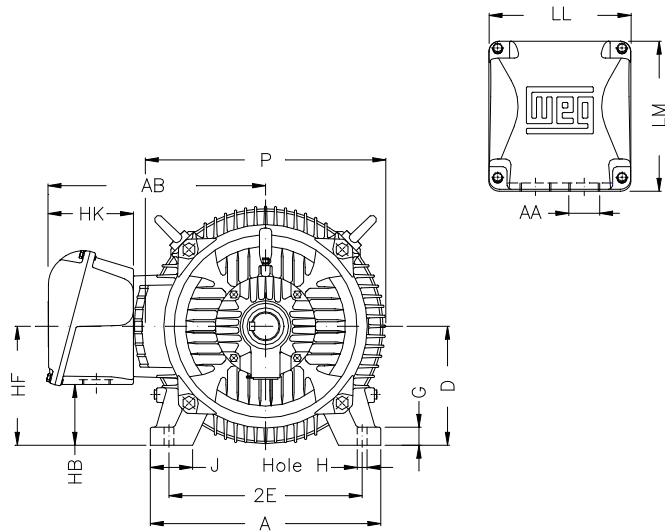
B

C

D

E

F



Notes: Downloaded from <http://dealerselectric.com>
Generated for Model #07518EG3E365T-W22

Performed by:

Checked:

Customer:

W22 Super Premium

Three-phase induction motor
Frame 364/5T - IP55

27-SEP-2016



2E 14.016	J 3.150	A 17.165	P 17.914	AB 16.016
2F 11.260/12.244	K 4.138	B 16.220	BA 5.875	FBA 11.708
U 2.375	N-W 5.874	ES 4.330	S 0.625	R 2.019
depth 0.625	D 9.000	G 1.480	HB 4.251	O 17.957
HH 11.988	HK 6.024	H 0.660	C 34.251	LL 10.591
LM 11.267	AA NPT 3"	d1 DUNC 3/4"-10		

1 2 3 4 5 6 7 8

A
B
C
D
E
F

LOW VOLTAGE

HIGH VOLTAGE



CONNECTIONS FOR STARTING ONLY:

LOW VOLTAGE

HIGH VOLTAGE



Notes: Downloaded from <http://dealerselectric.com>
Generated for Model #07518EG3E365T-W22

Performed by:

Checked:

Customer:

W22 Super Premium

Three-phase induction motor
Frame 364/5T - IP55

27-SEP-2016

