



Dealers Industrial Equipment

No.:

Date: 27-SEP-2016

Customer :

TECHNICAL PROPOSAL

Three-phase induction motor - Squirrel cage rotor

Product line : Three-Phase: W22 IE3 IEC Tru-Metric - TEFC (IP55) Cast Iron Frame

Catalog Number : 07512ET3Y315S/M-W22

List Price : \$16,479

Notes:

Downloaded from <http://dealerselectric.com>

Generated for Model #07512ET3Y315S/M-W22

Performed by:

Checked:



# Dealers Industrial Equipment

No.:

Date: 27-SEP-2016

## DATA SHEET Three-phase induction motor - Squirrel cage rotor

Customer :  
 Product line : Three-Phase: W22 IE3 IEC Tru-Metric - TEFC (IP55) Cast Iron Frame

Frame : 315S/M  
 Output : 100 HP  
 Frequency : 60 Hz  
 Poles : 6  
 Full load speed : 1190 rpm  
 Slip : 0.83 %  
 Voltage : 460 V  
 Rated current : 122 A  
 Locked rotor current : 854 A  
 Locked rotor current (I<sub>L</sub>/I<sub>n</sub>) : 7.0  
 No-load current : 56.0 A  
 Full load torque : 435 lb.ft  
 Locked rotor torque : 260 %  
 Breakdown torque : 310 %  
 Design : ---  
 Insulation class : F  
 Temperature rise : 80 K  
 Locked rotor time : 61 s (hot)  
 Service factor : 1.25  
 Duty cycle : S1  
 Ambient temperature : -20°C - +40°C  
 Altitude : 1000 m  
 Degree of Protection : IP55  
 Approximate weight : 2121 lb  
 Moment of inertia : 79.220 sq.ft.lb  
 Noise level : 70 dB(A)

	D.E.	N.D.E.
Bearings	6319 C3	6316 C3
Regreasing interval	13000 h	16000 h
Grease amount	45 g	34 g

Load	Power factor	Efficiency (%)
100%	0.81	95.0
75%	0.75	95.0
50%	0.64	94.1

Notes:  
 Downloaded from <http://dealerselectric.com>  
 Generated for Model #07512ET3Y315S/M-W22

Performed by

Checked



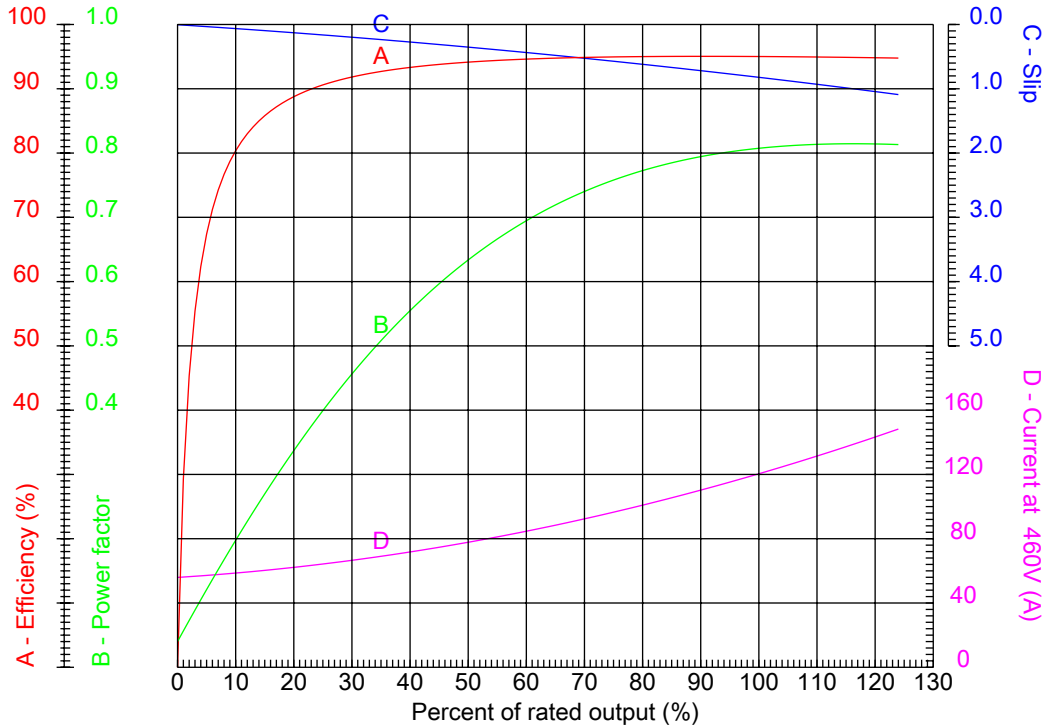
# Dealers Industrial Equipment

No.:

Date: 27-SEP-2016

## PERFORMANCE CURVES RELATED TO RATED OUTPUT

Three-phase induction motor - Squirrel cage rotor



Customer :  
 Product line : Three-Phase: W22 IE3 IEC Tru-Metric - TEFC (IP55) Cast Iron Frame

Frame	: 315S/M	Locked rotor current (I <sub>l</sub> /I <sub>n</sub> )	: 7.0
Output	: 100 HP	Duty cycle	: S1
Frequency	: 60 Hz	Service factor	: 1.25
Full load speed	: 1190 rpm	Design	: ---
Voltage	: 460 V	Locked rotor torque	: 260 %
Rated current	: 122 A	Breakdown torque	: 310 %
Insulation class	: F		

Notes:  
 Downloaded from <http://dealerselectric.com>  
 Generated for Model #07512ET3Y315S/M-W22

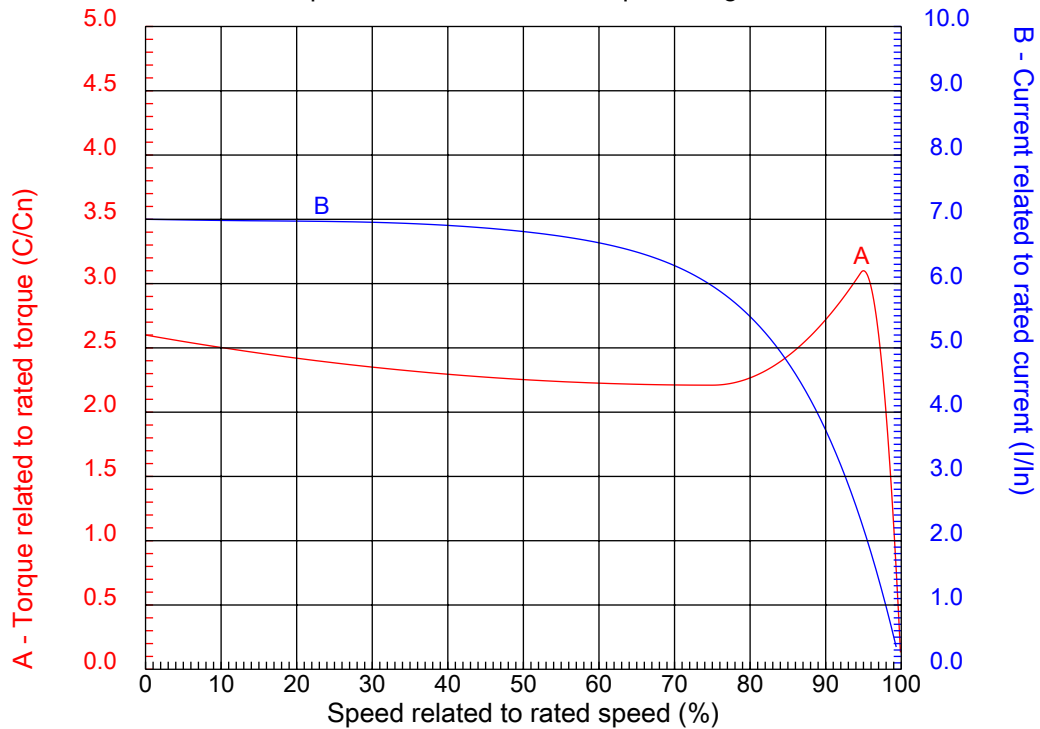
Performed by

Checked



## CHARACTERISTIC CURVES RELATED TO SPEED

Three-phase induction motor - Squirrel cage rotor



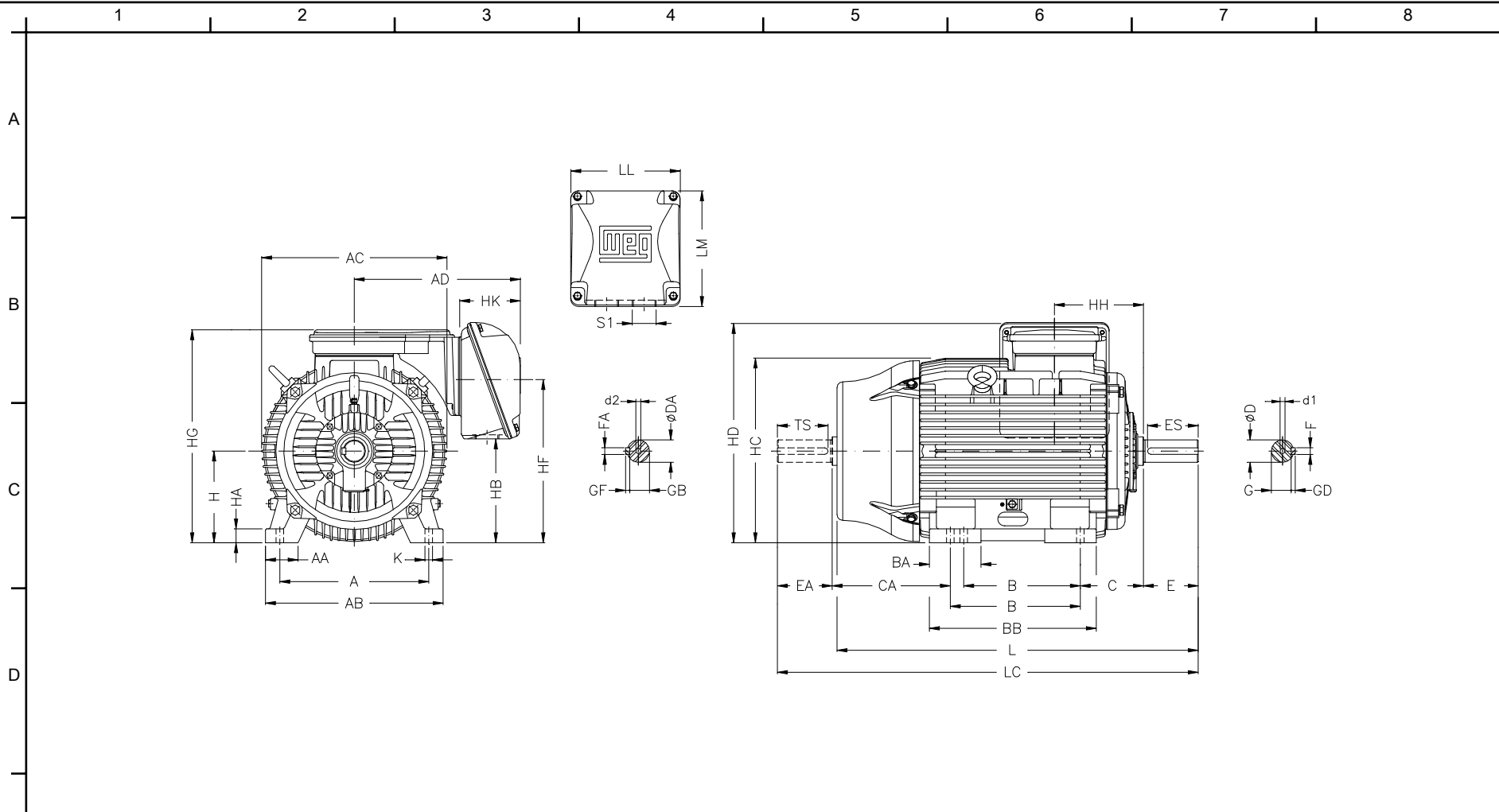
Customer :  
Product line : Three-Phase: W22 IE3 IEC Tru-Metric - TEFC (IP55) Cast Iron Frame

Frame	: 315S/M	Locked rotor current (I <sub>l</sub> /I <sub>n</sub> )	: 7.0
Output	: 100 HP	Duty cycle	: S1
Frequency	: 60 Hz	Service factor	: 1.25
Full load speed	: 1190 rpm	Design	: ---
Voltage	: 460 V	Locked rotor torque	: 260 %
Rated current	: 122 A	Breakdown torque	: 310 %
Insulation class	: F		

Notes:  
Downloaded from <http://dealerselectric.com>  
Generated for Model #07512ET3Y315S/M-W22

Performed by

Checked



Notes: Downloaded from <http://dealerselectric.com>  
 Generated for Model #07512ET3Y315S/M-W22

A	AA	AB	AC	AD
508	120	630	657	525
B	BA	BB	C	CA
406/457	184	621	216	494/443
D	E	ES	F	G
80m6	170	160	22	71
GD	DA	EA	TS	FA
14	65m6	140	125	18
GB	GF	H	HA	HC
58	11	315	48	644
HD	K	L	LC	S1
768	28	1274	1426	2xM63x1,5
d1	d2			
DM20	DM20			

Performed by:	
Checked:	
Customer:	
Three-Phase: W22 IE3 IEC Tru-Metric - TEFC (IP55) Cast Iron Frame	
Three-phase induction motor Frame 315S/M - IP55	27-SEP-2016



1 2 3 4 5 6 7 8

# LOW VOLTAGE

# HIGH VOLTAGE

A  
B  
C  
D  
E  
F



Notes: Downloaded from <a href="http://dealerselectric.com">http://dealerselectric.com</a> Generated for Model #07512ET3Y315S/M-W22		
Performed by:		
Checked:		
Customer:		
Three-Phase: W22 IE3 IEC Tru-Metric - TEFC (IP55) Cast Iron Frame		
Three-phase induction motor Frame 315S/M - IP55	27-SEP-2016	