



Dealers Industrial Equipment

No.:

Date: 27-SEP-2016

Customer :

TECHNICAL PROPOSAL

Three-phase induction motor - Squirrel cage rotor

Product line : Oil Well Pumping : High Slip - NEMA Design "D" - TEFC (IP55)

Catalog Number : 07512ES3EOW444T

List Price : \$14,976

Notes:

Downloaded from <http://dealerselectric.com>

Generated for Model #07512ES3EOW444T

Performed by:

Checked:



# Dealers Industrial Equipment

No.:

Date: 27-SEP-2016

## DATA SHEET Three-phase induction motor - Squirrel cage rotor

Customer :  
 Product line : Oil Well Pumping : High Slip - NEMA Design "D" - TEFC (IP55)

Frame : 444T  
 Output : 75 HP  
 Frequency : 60 Hz  
 Poles : 6  
 Full load speed : 1140 rpm  
 Slip : 5.00 %  
 Voltage : 208-230/460 V  
 Rated current : 199-185/92.5 A  
 Locked rotor current : 1020/509 A  
 Locked rotor current (I<sub>L</sub>/I<sub>n</sub>) : 5.5  
 No-load current : 60.0/30.0 A  
 Full load torque : 341 lb.ft  
 Locked rotor torque : 300 %  
 Breakdown torque : 0 %  
 Design : D  
 Insulation class : F  
 Temperature rise : 80 K  
 Locked rotor time : 73 s (hot)  
 Service factor : 1.15  
 Duty cycle : S1  
 Ambient temperature : -20°C - +40°C  
 Altitude : 1000 m  
 Degree of Protection : IP55  
 Approximate weight : 1586 lb  
 Moment of inertia : 73.625 sq.ft.lb  
 Noise level : 70 dB(A)

	D.E.	N.D.E.
Bearings	NU-319 C3	6316 C3
Regreasing interval	7683 h	12823 h
Grease amount	45 g	34 g

Load	Power factor	Efficiency (%)
100%	0.86	87.0
75%	0.83	86.0
50%	0.75	80.0

Notes:  
 Downloaded from <http://dealerselectric.com>  
 Generated for Model #07512ES3EOW444T

Performed by

Checked



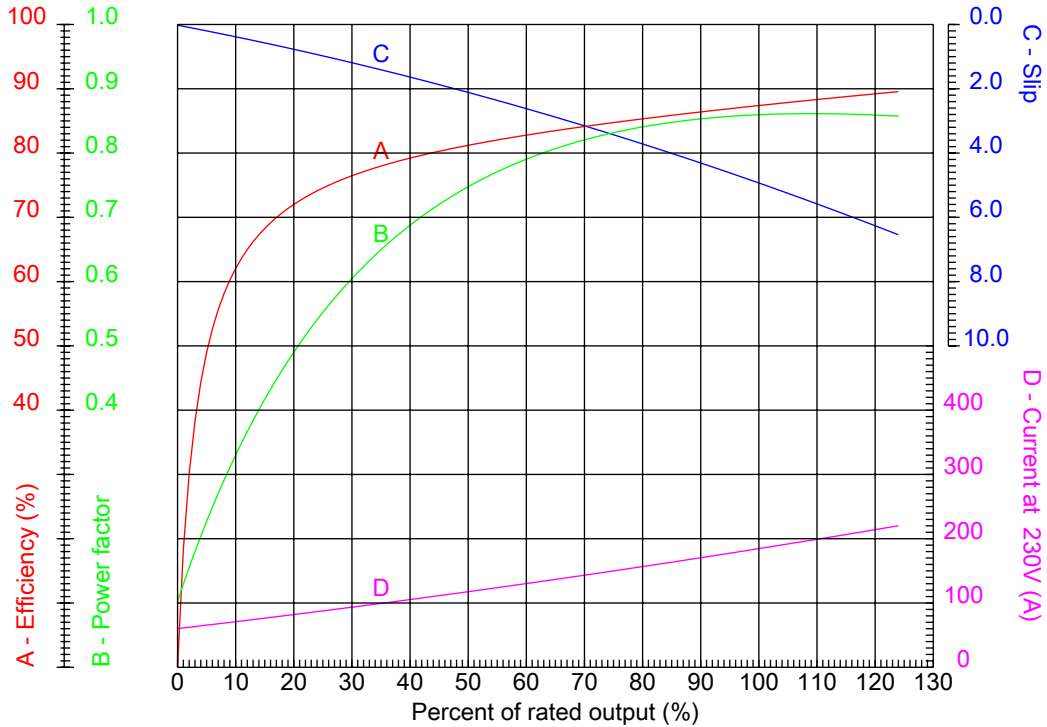
# Dealers Industrial Equipment

No.:

Date: 27-SEP-2016

## PERFORMANCE CURVES RELATED TO RATED OUTPUT

Three-phase induction motor - Squirrel cage rotor



Customer :  
 Product line : Oil Well Pumping : High Slip - NEMA Design "D" - TEFC (IP55)

Frame : 444T	Locked rotor current (I <sub>l</sub> /I <sub>n</sub> ) : 5.5
Output : 75 HP	Duty cycle : S1
Frequency : 60 Hz	Service factor : 1.15
Full load speed : 1140 rpm	Design : D
Voltage : 208-230/460 V	Locked rotor torque : 300 %
Rated current : 199-185/92.5 A	Breakdown torque : 0 %
Insulation class : F	

Notes:  
 Downloaded from <http://dealerselectric.com>  
 Generated for Model #07512ES3EOW444T

Performed by

Checked



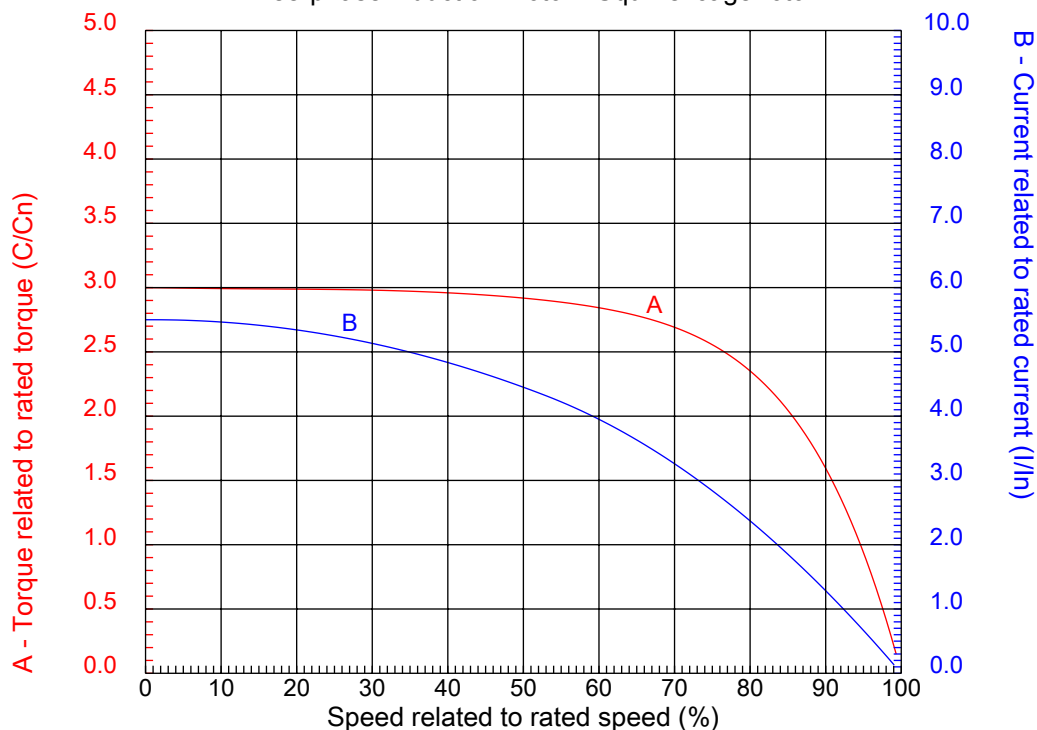
# Dealers Industrial Equipment

No.:

Date: 27-SEP-2016

## CHARACTERISTIC CURVES RELATED TO SPEED

Three-phase induction motor - Squirrel cage rotor



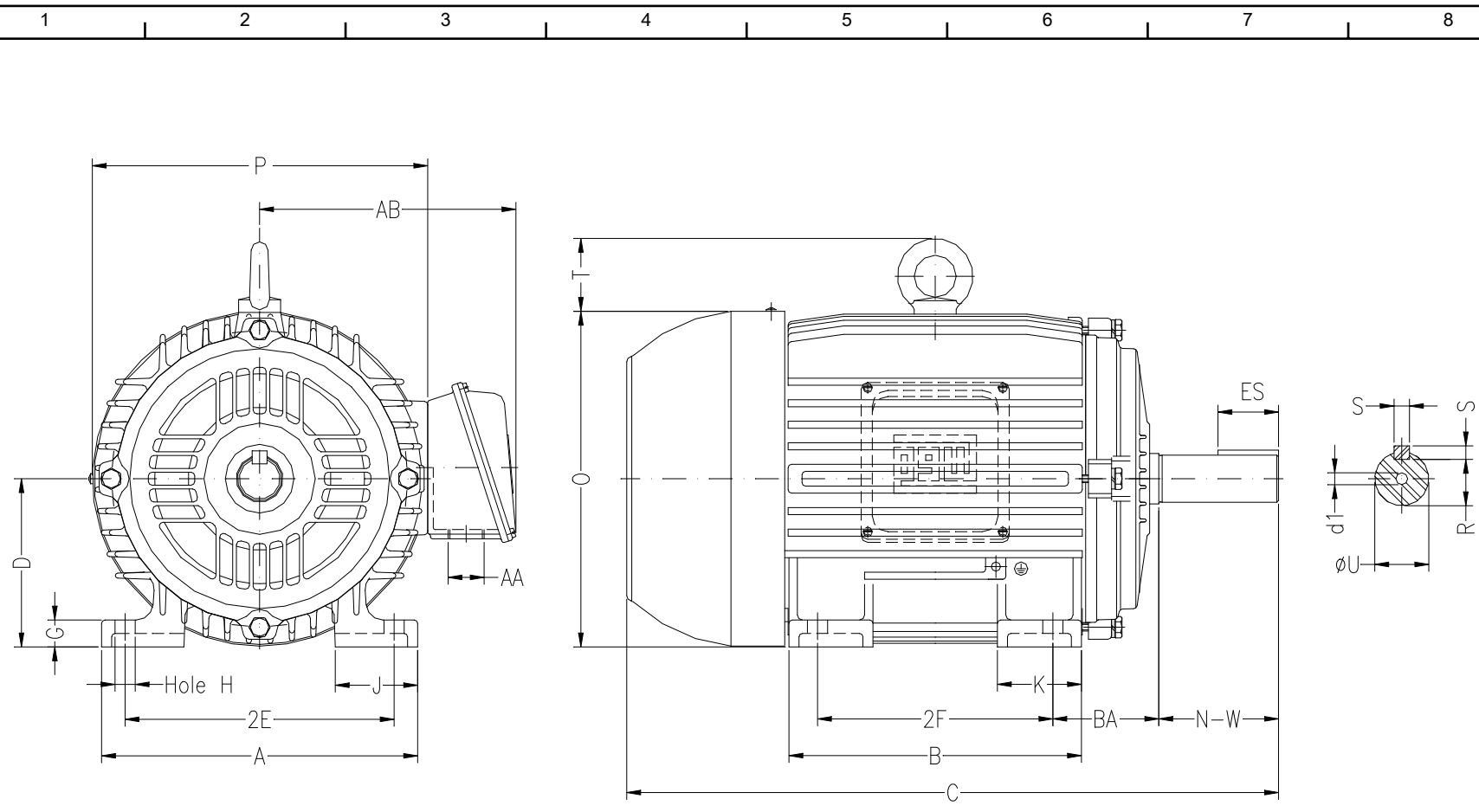
Customer :  
Product line : Oil Well Pumping : High Slip - NEMA Design "D" - TEFC (IP55)

Frame	: 444T	Locked rotor current (I <sub>l</sub> /I <sub>h</sub> )	: 5.5
Output	: 75 HP	Duty cycle	: S1
Frequency	: 60 Hz	Service factor	: 1.15
Full load speed	: 1140 rpm	Design	: D
Voltage	: 208-230/460 V	Locked rotor torque	: 300 %
Rated current	: 199-185/92.5 A	Breakdown torque	: 255 %
Insulation class	: F		

Notes:  
Downloaded from <http://dealerselectric.com>  
Generated for Model #07512ES3EOW444T

Performed by

Checked



Notes: Downloaded from <http://dealerselectric.com>  
 Generated for Model #07512ES3EOW444T

Performed by:

Checked:

Customer:

Oil Well Pumping : High Slip - NEMA Design "D" - TEFC (IP55)

2E 18.000	A 21.929	2F 14.500/16.500	B 20.079	BA 7.500
J 3.937	K 5.591	P 23.622	ES 7.087	depth 0.875
S 0.875	N-W 8.500	U 3.375	R 2.880	AB 19.213
D 11.000	G 1.630	O 22.713	T 3.543	H 0.807
C 43.776	AA 2xNPT 3"	d1 DUNC 3/4"-10	d2 DUNC 3/4"-10	

Three-phase induction motor  
 Frame 444T - IP55

27-SEP-2016



1 2 3 4 5 6 7 8

A  
B  
C  
D  
E  
F

LOW VOLTAGE

HIGH VOLTAGE



CONNECTIONS FOR STARTING ONLY:

LOW VOLTAGE

HIGH VOLTAGE



Notes: Downloaded from <http://dealerselectric.com>  
Generated for Model #07512ES3EOW444T

Performed by:

Checked:

Customer:

Oil Well Pumping : High Slip - NEMA Design "D" - TEFC (IP55)

Three-phase induction motor  
Frame 444T - IP55

27-SEP-2016

