



Dealers Industrial Equipment

No.:

Date: 27-SEP-2016

Customer :

TECHNICAL PROPOSAL

Three-phase induction motor - Squirrel cage rotor

Product line : Three-Phase: W22 IE2 IEC Tru-Metric - TEFC (IP55) Cast Iron Frame

Catalog Number : 07509EP3Y315S/M-W22

List Price : \$16,649

Notes:

Downloaded from <http://dealerselectric.com>

Generated for Model #07509EP3Y315S/M-W22

Performed by:

Checked:



Dealers Industrial Equipment

No.:

Date: 27-SEP-2016

DATA SHEET Three-phase induction motor - Squirrel cage rotor

Customer :
 Product line : Three-Phase: W22 IE2 IEC Tru-Metric - TEFC (IP55) Cast Iron Frame

Frame : 315S/M
 Output : 100 HP
 Frequency : 60 Hz
 Poles : 8
 Full load speed : 890 rpm
 Slip : 1.11 %
 Voltage : 460 V
 Rated current : 123 A
 Locked rotor current : 812 A
 Locked rotor current (I_L/I_n) : 6.6
 No-load current : 53.3 A
 Full load torque : 582 lb.ft
 Locked rotor torque : 200 %
 Breakdown torque : 230 %
 Design : ---
 Insulation class : F
 Temperature rise : 80 K
 Locked rotor time : 30 s (hot)
 Service factor : 1.15
 Duty cycle : S1
 Ambient temperature : -20°C - +40°C
 Altitude : 1000 m
 Degree of Protection : IP55
 Approximate weight : 2097 lb
 Moment of inertia : 77.465 sq.ft.lb
 Noise level : 66 dB(A)

	D.E.	N.D.E.
Bearings	6319 C3	6316 C3
Regreasing interval	17000 h	20000 h
Grease amount	45 g	34 g

Load	Power factor	Efficiency (%)
100%	0.81	94.5
75%	0.77	94.5
50%	0.65	93.6

Notes:
 Downloaded from <http://dealerselectric.com>
 Generated for Model #07509EP3Y315S/M-W22

Performed by

Checked



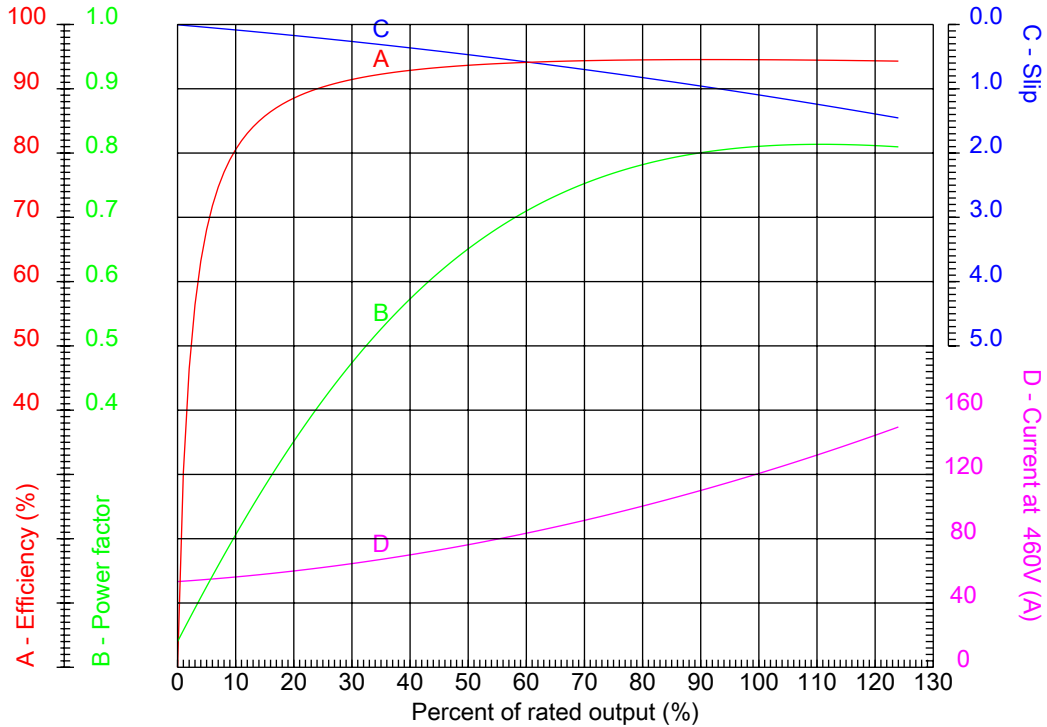
Dealers Industrial Equipment

No.:

Date: 27-SEP-2016

PERFORMANCE CURVES RELATED TO RATED OUTPUT

Three-phase induction motor - Squirrel cage rotor



Customer :
 Product line : Three-Phase: W22 IE2 IEC Tru-Metric - TEFC (IP55) Cast Iron Frame

Frame	: 315S/M	Locked rotor current (I _l /I _n)	: 6.6
Output	: 100 HP	Duty cycle	: S1
Frequency	: 60 Hz	Service factor	: 1.15
Full load speed	: 890 rpm	Design	: ---
Voltage	: 460 V	Locked rotor torque	: 200 %
Rated current	: 123 A	Breakdown torque	: 230 %
Insulation class	: F		

Notes:
 Downloaded from <http://dealerselectric.com>
 Generated for Model #07509EP3Y315S/M-W22

Performed by

Checked



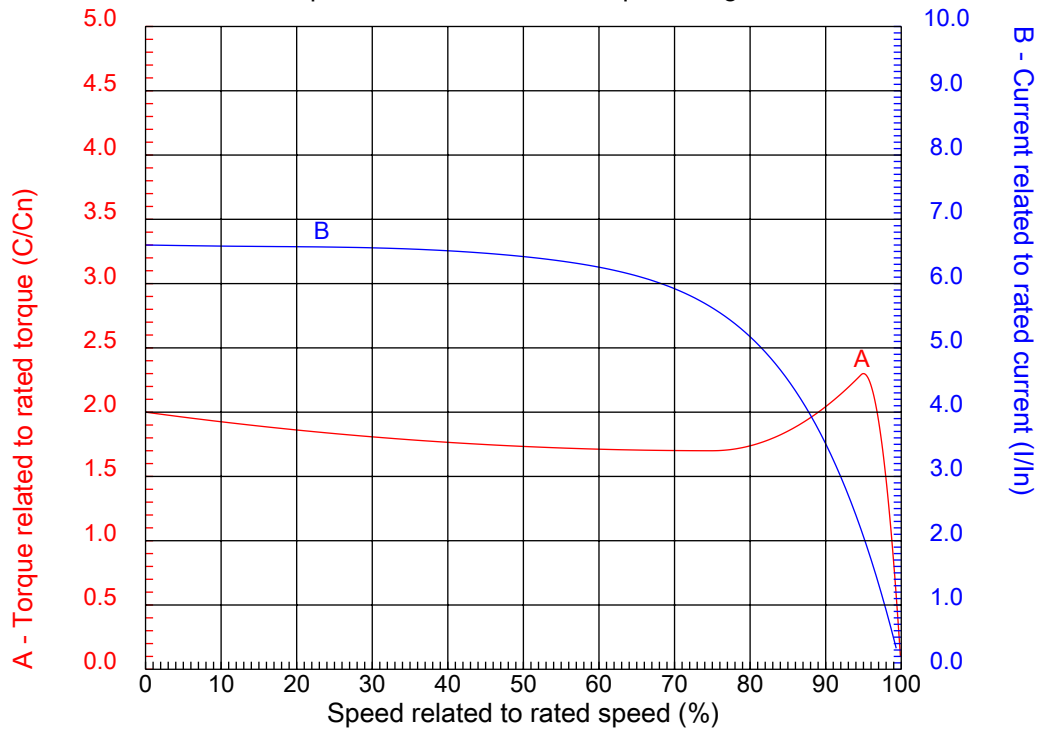
Dealers Industrial Equipment

No.:

Date: 27-SEP-2016

CHARACTERISTIC CURVES RELATED TO SPEED

Three-phase induction motor - Squirrel cage rotor



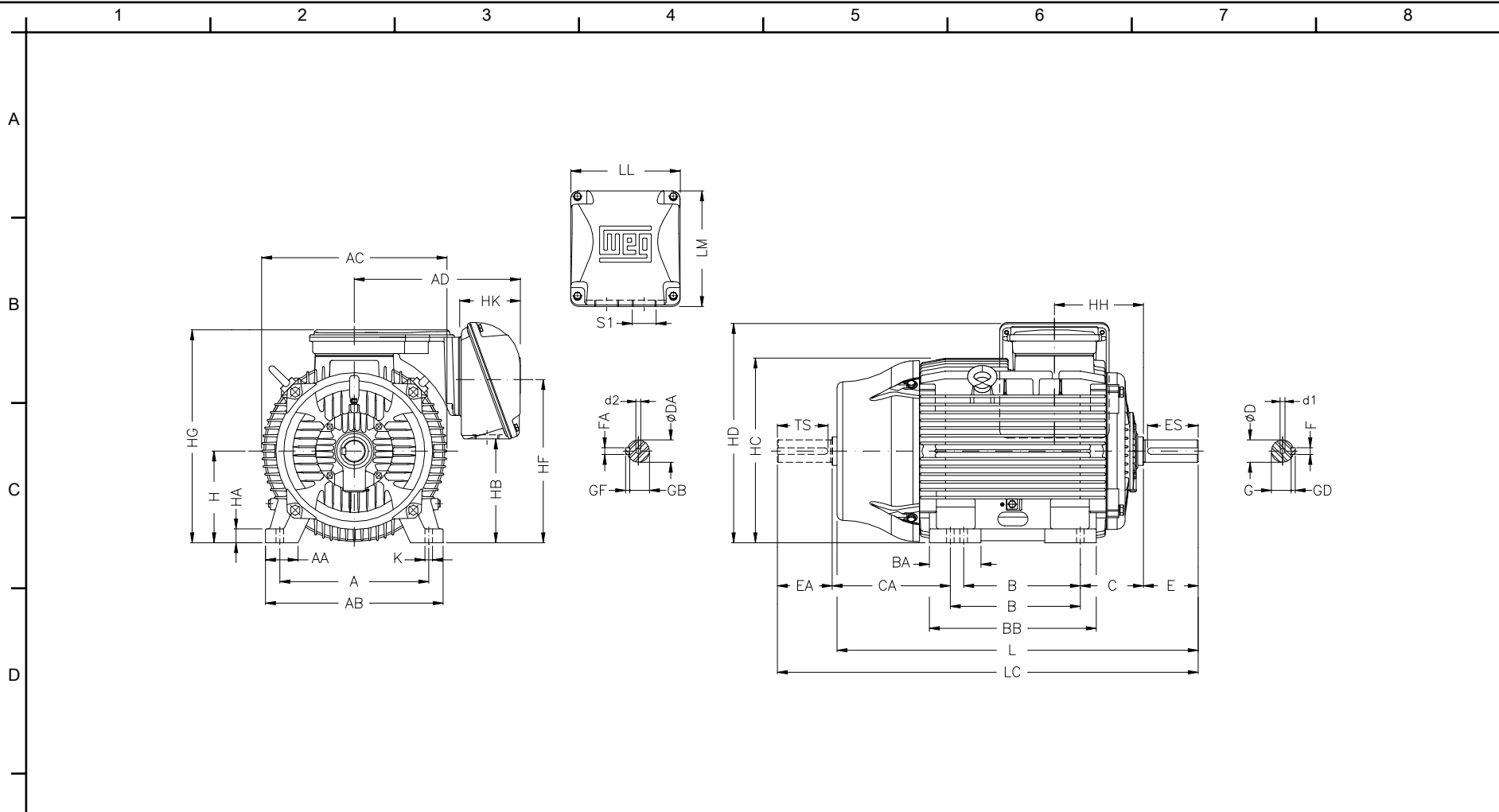
Customer :
Product line : Three-Phase: W22 IE2 IEC Tru-Metric - TEFC (IP55) Cast Iron Frame

Frame	: 315S/M	Locked rotor current (I _l /I _n)	: 6.6
Output	: 100 HP	Duty cycle	: S1
Frequency	: 60 Hz	Service factor	: 1.15
Full load speed	: 890 rpm	Design	: ---
Voltage	: 460 V	Locked rotor torque	: 200 %
Rated current	: 123 A	Breakdown torque	: 230 %
Insulation class	: F		

Notes:
Downloaded from <http://dealerselectric.com>
Generated for Model #07509EP3Y315S/M-W22

Performed by

Checked



					Notes: Downloaded from http://dealerselectric.com Generated for Model #07509EP3Y315S/M-W22		
E	A 508	AA 120	AB 630	AC 657	AD 525	Performed by:	
	B 406/457	BA 184	BB 621	C 216	CA 494/443		
	D 80m6	E 170	ES 160	F 22	G 71	Checked:	
		GD 14	DA 65m6	EA 140	TS 125	FA 18	Customer:
		GB 58	GF 11	H 315	HA 48	HB 386	Three-Phase: W22 IE2 IEC Tru-Metric - TEFC (IP55) Cast Iron Frame
F	HC 644	HD 768	HF 592	HG 751	HH 264		
		HK 176	K 28	L 1274	LC 1426	LL 379	Three-phase induction motor Frame 315S/M - IP55
		LM 382	S1 2xM63x1.5	d1 DM20	d2 DM20		
					27-SEP-2016		