



Dealers Industrial Equipment

No.:

Date: 27-SEP-2016

Customer :

TECHNICAL PROPOSAL

Three-phase induction motor - Squirrel cage rotor

Product line : W22 High Efficiency
Catalog Number : 07509EP3E444T-W22
List Price : \$16,918

Notes:
Downloaded from <http://dealerselectric.com>
Generated for Model #07509EP3E444T-W22

Performed by:

Checked:



Dealers Industrial Equipment

No.:

Date: 27-SEP-2016

DATA SHEET Three-phase induction motor - Squirrel cage rotor

Customer :
Product line : W22 High Efficiency

Frame : 444/5T
Output : 75 HP
Frequency : 60 Hz
Poles : 8
Full load speed : 885 rpm
Slip : 1.67 %
Voltage : 230/460 V
Rated current : 186/92.8 A
Locked rotor current : 1040/520 A
Locked rotor current (I_L/I_n) : 5.6
No-load current : 72.0/36.0 A
Full load torque : 439 lb.ft
Locked rotor torque : 170 %
Breakdown torque : 200 %
Design : B
Insulation class : F
Temperature rise : 80 K
Locked rotor time : 20 s (hot)
Service factor : 1.25
Duty cycle : S1
Ambient temperature : -20°C - +40°C
Altitude : 1000 m
Degree of Protection : IP55
Approximate weight : 1444 lb
Moment of inertia : 73.625 sq.ft.lb
Noise level : 63 dB(A)

	D.E.	N.D.E.
Bearings	6319 C3	6316 C3
Regreasing interval	17000 h	20000 h
Grease amount	45 g	34 g

Load	Power factor	Efficiency (%)
100%	0.80	93.0
75%	0.76	93.0
50%	0.67	93.0

Notes:
Downloaded from <http://dealerselectric.com>
Generated for Model #07509EP3E444T-W22

Performed by

Checked



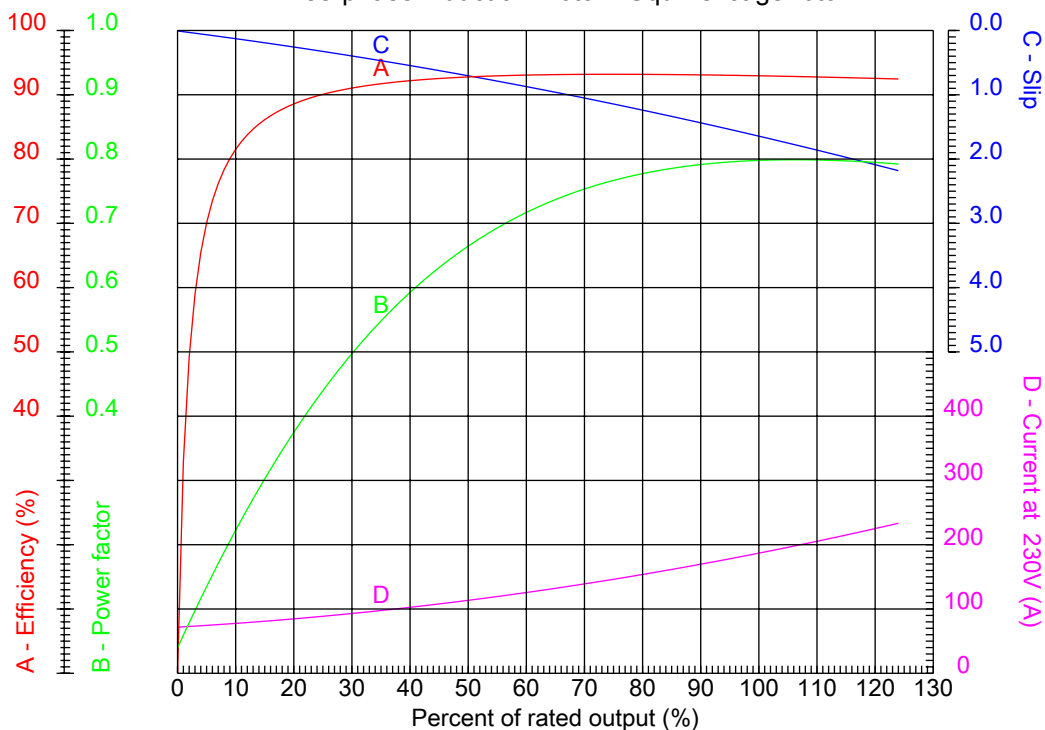
Dealers Industrial Equipment

No.:

Date: 27-SEP-2016

PERFORMANCE CURVES RELATED TO RATED OUTPUT

Three-phase induction motor - Squirrel cage rotor



Customer :
Product line : W22 High Efficiency

Frame : 444/5T	Locked rotor current (I _l /I _n) : 5.6
Output : 75 HP	Duty cycle : S1
Frequency : 60 Hz	Service factor : 1.25
Full load speed : 885 rpm	Design : B
Voltage : 230/460 V	Locked rotor torque : 170 %
Rated current : 186/92.8 A	Breakdown torque : 200 %
Insulation class : F	

Notes:
Downloaded from <http://dealerselectric.com>
Generated for Model #07509EP3E444T-W22

Performed by

Checked



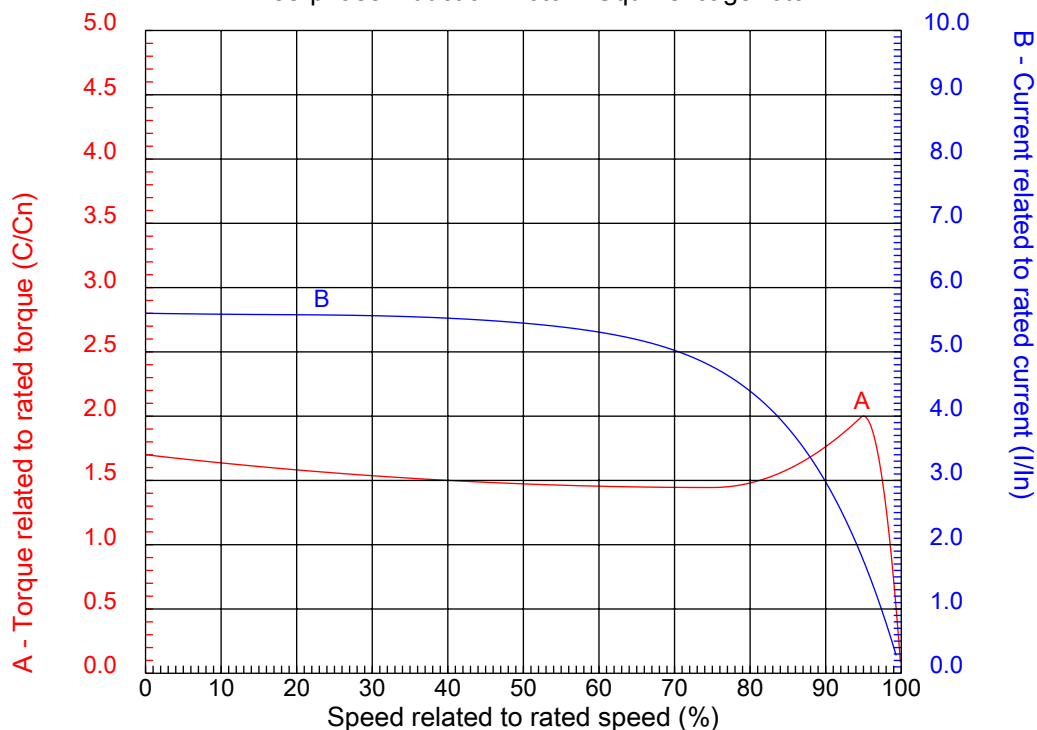
Dealers Industrial Equipment

No.:

Date: 27-SEP-2016

CHARACTERISTIC CURVES RELATED TO SPEED

Three-phase induction motor - Squirrel cage rotor



Customer :
Product line : W22 High Efficiency

Frame	: 444/5T	Locked rotor current (I _l /I _n)	: 5.6
Output	: 75 HP	Duty cycle	: S1
Frequency	: 60 Hz	Service factor	: 1.25
Full load speed	: 885 rpm	Design	: B
Voltage	: 230/460 V	Locked rotor torque	: 170 %
Rated current	: 186/92.8 A	Breakdown torque	: 200 %
Insulation class	: F		

Notes:
Downloaded from <http://dealerselectric.com>
Generated for Model #07509EP3E444T-W22

Performed by

Checked

1 2 3 4 5 6 7 8

A

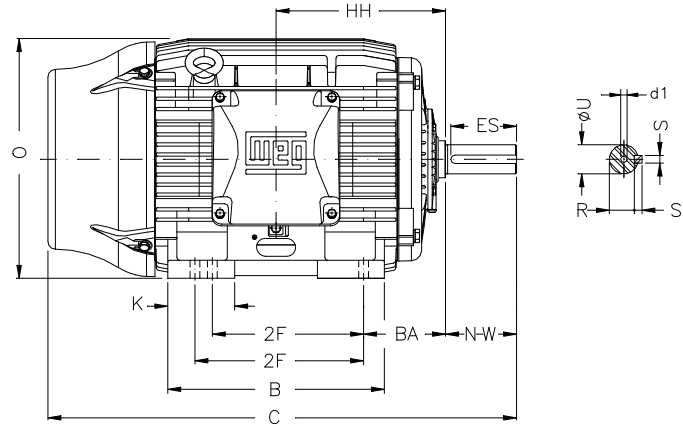
B

C

D

E

F



Notes: Downloaded from <http://dealerselectric.com>
Generated for Model #07509EP3E444T-W22

Performed by:

Checked:

Customer:

W22 High Efficiency

Three-phase induction motor
Frame 444/5T - IP55

27-SEP-2016



2E 18.000	J 3.937	A 21.929	P 23.583	AB 18.570
2F 14.500/16.500	K 5.866	B 20.315	BA 7.500	U 3.375
N-W 8.500	ES 7.087	S 0.875	R 2.880	depth 0.875
D 11.000	G 1.630	HB 5.687	O 22.795	HH 15.748
HK 5.970	H 0.810	C 45.157	LL 12.362	LM 12.283
AA 2xNPT 3"	d1 DUNC 3/4"-10			

1 2 3 4 5 6 7 8

A
B
C
D
E
F

LOW VOLTAGE

HIGH VOLTAGE



CONNECTIONS FOR STARTING ONLY:

LOW VOLTAGE

HIGH VOLTAGE



Notes: Downloaded from <http://dealerselectric.com>
Generated for Model #07509EP3E444T-W22

Performed by:

Checked:

Customer:

W22 High Efficiency

Three-phase induction motor
Frame 444/5T - IP55

27-SEP-2016

