



Dealers Industrial Equipment

No.:

Date: 27-SEP-2016

Customer :

TECHNICAL PROPOSAL

Three-phase induction motor - Squirrel cage rotor

Product line : Three-Phase : Explosion Proof - NEMA Premium

Catalog Number : 06036XT3E364TS

List Price : \$9,988

Notes:

Downloaded from <http://dealerselectric.com>

Generated for Model #06036XT3E364TS

Performed by:

Checked:



Dealers Industrial Equipment

No.:

Date: 27-SEP-2016

DATA SHEET Three-phase induction motor - Squirrel cage rotor

Customer :
Product line : Three-Phase : Explosion Proof - NEMA Premium

Frame : 364/5TS
Output : 60 HP
Frequency : 60 Hz
Poles : 2
Full load speed : 3560 rpm
Slip : 1.11 %
Voltage : 208-230/460 V
Rated current : 151-136/68.2 A
Locked rotor current : 873/436 A
Locked rotor current (I_L/I_n) : 6.4
No-load current : 35.0/17.5 A
Full load torque : 87.3 lb.ft
Locked rotor torque : 200 %
Breakdown torque : 250 %
Design : B
Insulation class : F
Temperature rise : 80 K
Locked rotor time : 60 s (hot)
Service factor : 1.15
Duty cycle : S1
Ambient temperature : -20°C - +40°C
Altitude : 1000 m
Degree of Protection : IP55
Approximate weight : 1017 lb
Moment of inertia : 9.9623 sq.ft.lb
Noise level : 85 dB(A)

	D.E.	N.D.E.
Bearings	6314 C3	6314 C3
Regreasing interval	3604 h	3604 h
Grease amount	27 g	27 g

Load	Power factor	Efficiency (%)
100%	0.88	94.1
75%	0.86	93.6
50%	0.79	92.4

Notes:
Downloaded from <http://dealerselectric.com>
Generated for Model #06036XT3E364TS

Performed by

Checked

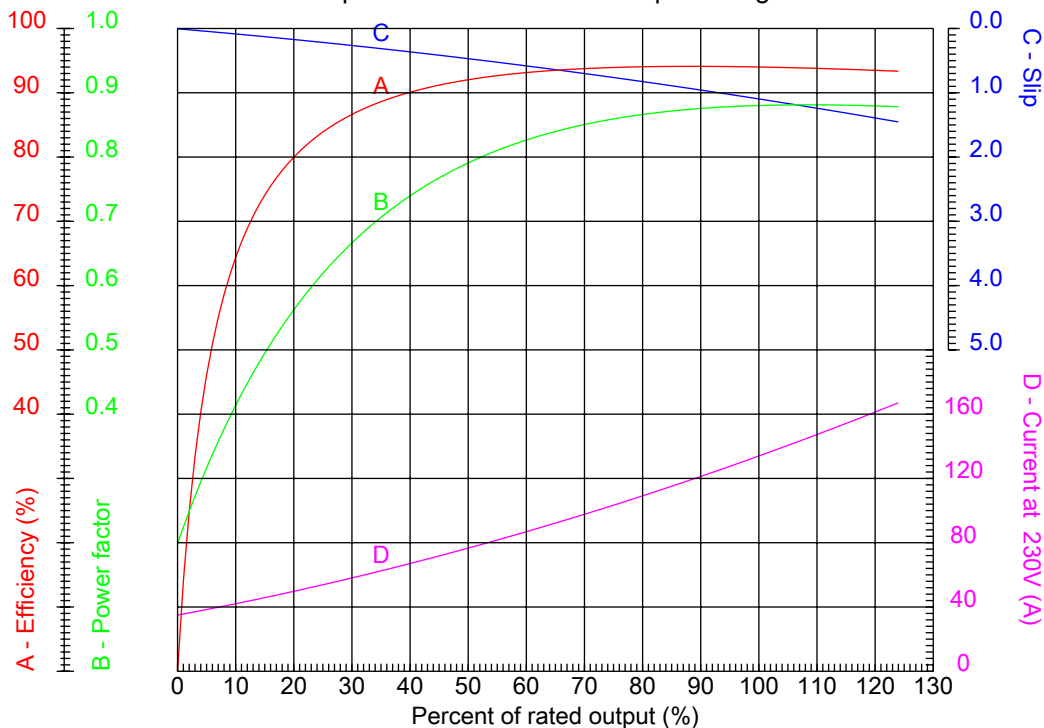


Dealers Industrial Equipment

No.:

Date: 27-SEP-2016

PERFORMANCE CURVES RELATED TO RATED OUTPUT Three-phase induction motor - Squirrel cage rotor



Customer :
 Product line : Three-Phase : Explosion Proof - NEMA Premium

Frame	: 364/5TS	Locked rotor current (I _l /I _n)	: 6.4
Output	: 60 HP	Duty cycle	: S1
Frequency	: 60 Hz	Service factor	: 1.15
Full load speed	: 3560 rpm	Design	: B
Voltage	: 208-230/460 V	Locked rotor torque	: 200 %
Rated current	: 151-136/68.2 A	Breakdown torque	: 250 %
Insulation class	: F		

Notes:
 Downloaded from <http://dealerselectric.com>
 Generated for Model #06036XT3E364TS

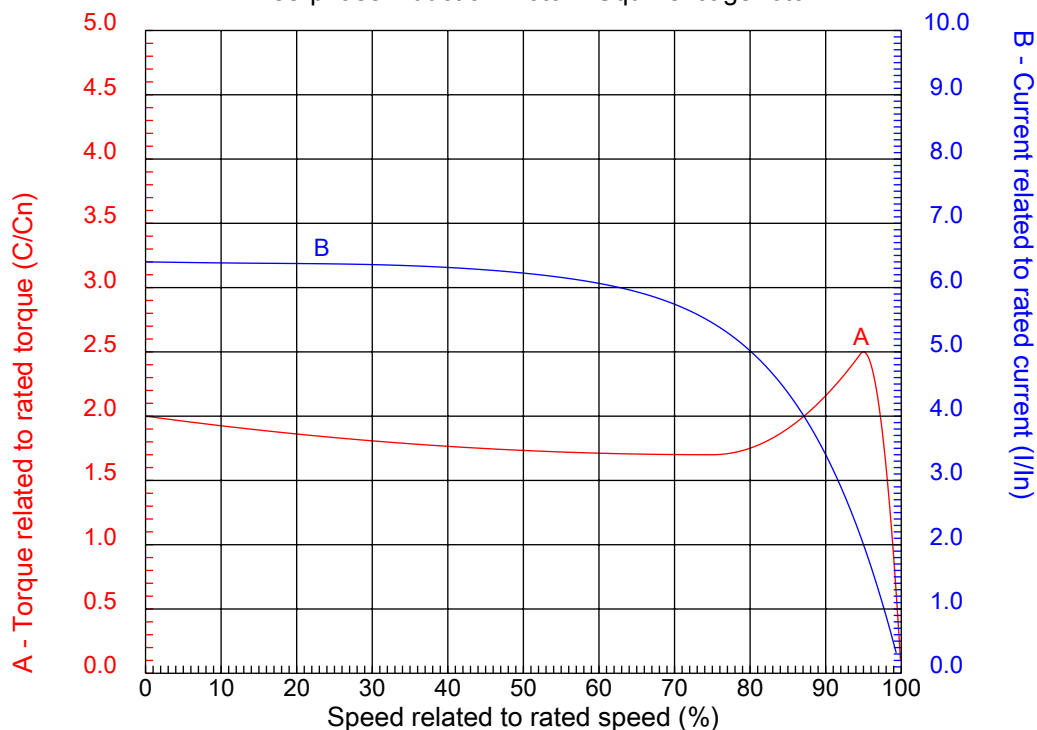
Performed by

Checked



CHARACTERISTIC CURVES RELATED TO SPEED

Three-phase induction motor - Squirrel cage rotor



Customer :
Product line : Three-Phase : Explosion Proof - NEMA Premium

Frame	: 364/5TS	Locked rotor current (I _l /I _n)	: 6.4
Output	: 60 HP	Duty cycle	: S1
Frequency	: 60 Hz	Service factor	: 1.15
Full load speed	: 3560 rpm	Design	: B
Voltage	: 208-230/460 V	Locked rotor torque	: 200 %
Rated current	: 151-136/68.2 A	Breakdown torque	: 250 %
Insulation class	: F		

Notes:
Downloaded from <http://dealerselectric.com>
Generated for Model #06036XT3E364TS

Performed by

Checked

1 2 3 4 5 6 7 8

A

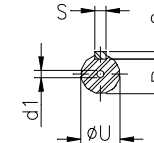
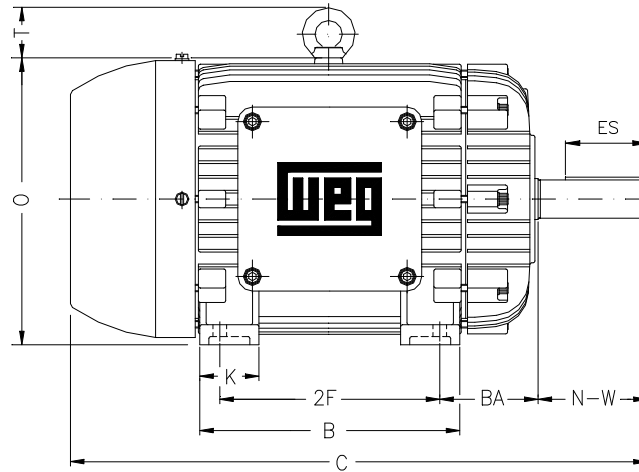
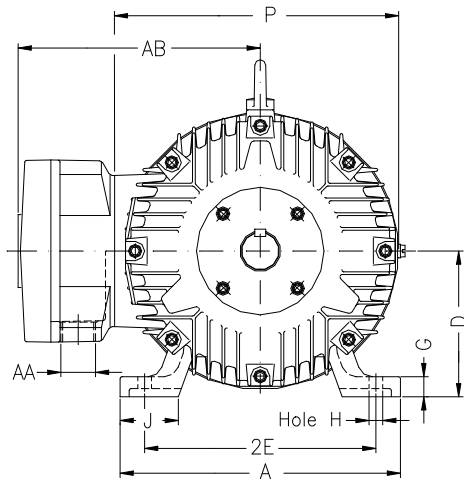
B

C

D

E

F



Notes: Downloaded from <http://dealerselectric.com>
Generated for Model #06036XT3E364TS

Performed by:

Checked:

Customer:

Three-Phase : Explosion Proof - NEMA Premium

Three-phase induction motor
Frame 364/5TS - IP55

27-SEP-2016



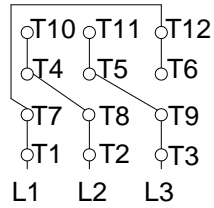
2E 14.000	A 17.165	2F 11.250/12.250	B 15.394	BA 5.875
J 3.150	K 4.134	P 18.583	ES 1.968	depth 0.500
S 0.500	N-W 3.748	U 1.875	R 1.591	AB 16.654
D 9.000	G 1.480	O 18.898	T 2.795	H 0.657
C 31.575	AA NPT 3"	d1 DUNC 3/4"-10	d2 DUNC 3/4"-10	

1 2 3 4 5 6 7 8

A
B
C
D
E
F

LOW VOLTAGE

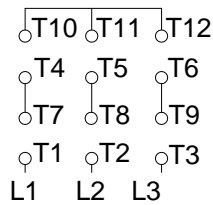
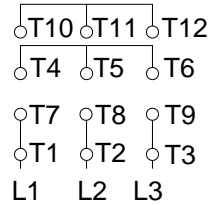
HIGH VOLTAGE



CONNECTIONS FOR STARTING ONLY:

LOW VOLTAGE

HIGH VOLTAGE



Notes: Downloaded from <http://dealerselectric.com>
Generated for Model #06036XT3E364TS

Performed by:

Checked:

Customer:

Three-Phase : Explosion Proof - NEMA Premium

Three-phase induction motor
Frame 364/5TS - IP55

27-SEP-2016

