



Dealers Industrial Equipment

No.:

Date: 27-SEP-2016

Customer :

TECHNICAL PROPOSAL

Three-phase induction motor - Squirrel cage rotor

Product line : ODP – Open Induction Motors – NEMA Premium Efficiency

Catalog Number : 06036OT3H326TS

List Price : \$4,581

Notes:

Downloaded from <http://dealerselectric.com>

Generated for Model #06036OT3H326TS

Performed by:

Checked:



Dealers Industrial Equipment

No.:

Date: 27-SEP-2016

DATA SHEET Three-phase induction motor - Squirrel cage rotor

Customer :
 Product line : ODP – Open Induction Motors – NEMA Premium Efficiency

Frame : 326TS
 Output : 60 HP
 Frequency : 60 Hz
 Poles : 2
 Full load speed : 3555 rpm
 Slip : 1.25 %
 Voltage : 575 V
 Rated current : 56.8 A
 Locked rotor current : 352 A
 Locked rotor current (I_L/I_n) : 6.2
 No-load current : 14.4 A
 Full load torque : 87.4 lb.ft
 Locked rotor torque : 200 %
 Breakdown torque : 260 %
 Design : B
 Insulation class : F
 Temperature rise : 80 K
 Locked rotor time : 24 s (hot)
 Service factor : 1.15
 Duty cycle : S1
 Ambient temperature : -20°C - +40°C
 Altitude : 1000 m
 Degree of Protection : IP23
 Approximate weight : 526 lb
 Moment of inertia : 4.3635 sq.ft.lb
 Noise level : 75 dB(A)

	D.E.	N.D.E.
Bearings	6312 Z-C3	6212 Z-C3
Regreasing interval	19658 h	20000 h
Grease amount	21 g	13 g

Load	Power factor	Efficiency (%)
100%	0.85	93.6
75%	0.84	93.6
50%	0.77	93.0

Notes:
 Downloaded from <http://dealerselectric.com>
 Generated for Model #06036OT3H326TS

Performed by

Checked



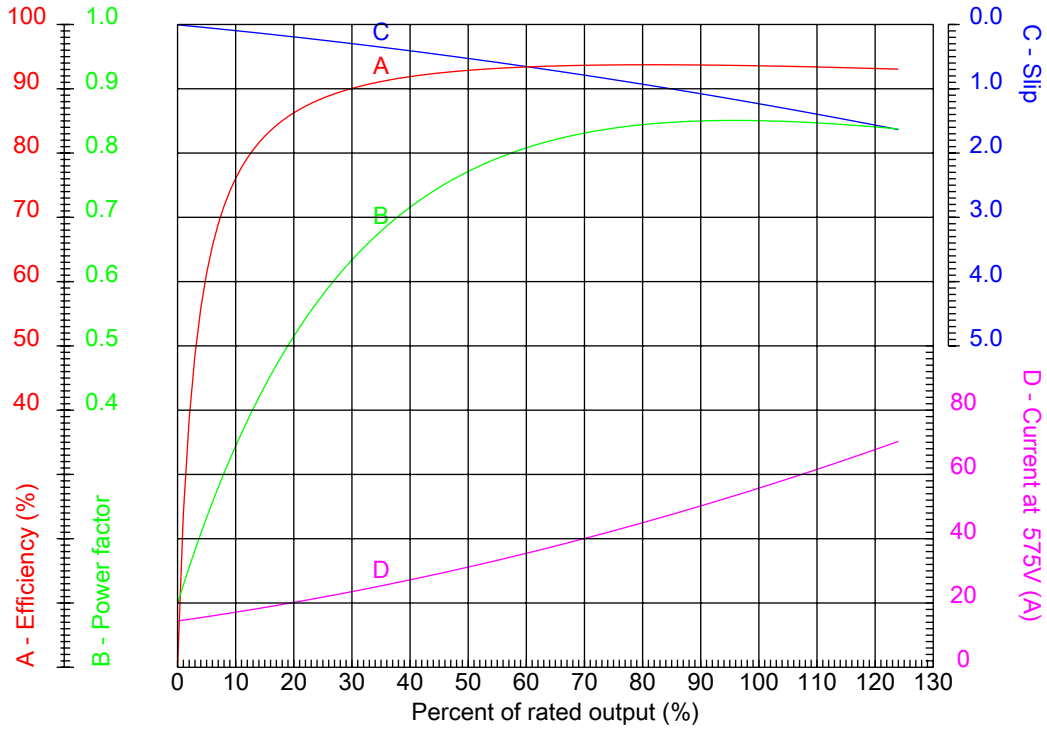
Dealers Industrial Equipment

No.:

Date: 27-SEP-2016

PERFORMANCE CURVES RELATED TO RATED OUTPUT

Three-phase induction motor - Squirrel cage rotor



Customer :
 Product line : ODP – Open Induction Motors – NEMA Premium Efficiency

Frame : 326TS	Locked rotor current (I _l /I _n) : 6.2
Output : 60 HP	Duty cycle : S1
Frequency : 60 Hz	Service factor : 1.15
Full load speed : 3555 rpm	Design : B
Voltage : 575 V	Locked rotor torque : 200 %
Rated current : 56.8 A	Breakdown torque : 260 %
Insulation class : F	

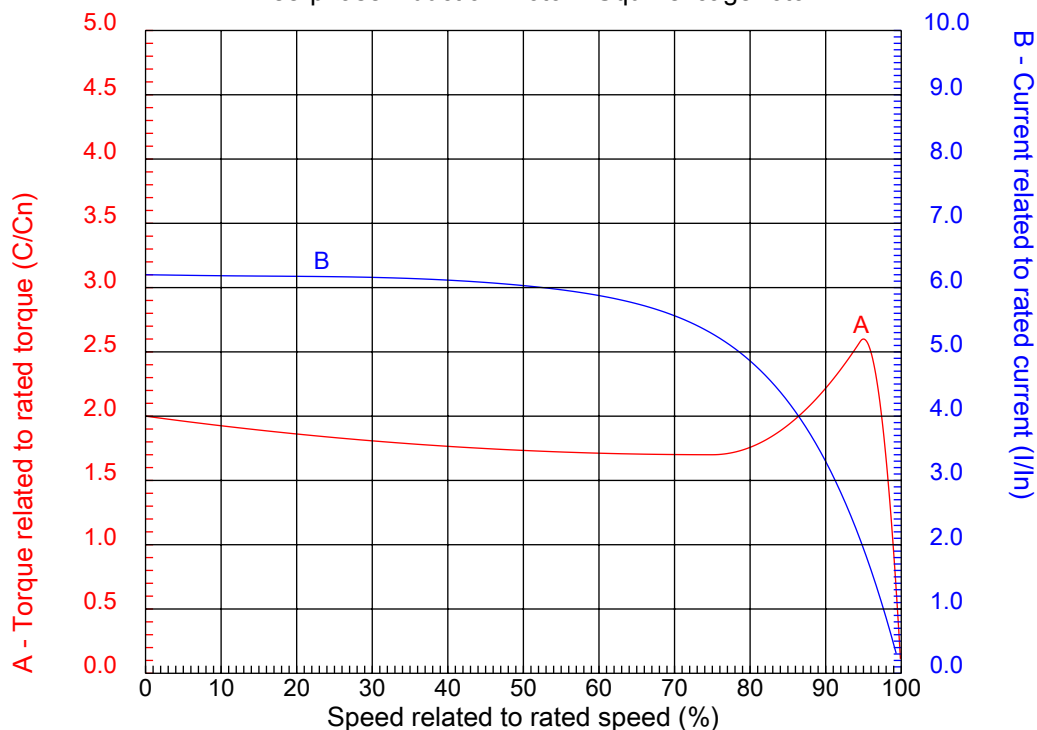
Notes:
 Downloaded from <http://dealerselectric.com>
 Generated for Model #06036OT3H326TS

Performed by	Checked
--------------	---------



CHARACTERISTIC CURVES RELATED TO SPEED

Three-phase induction motor - Squirrel cage rotor



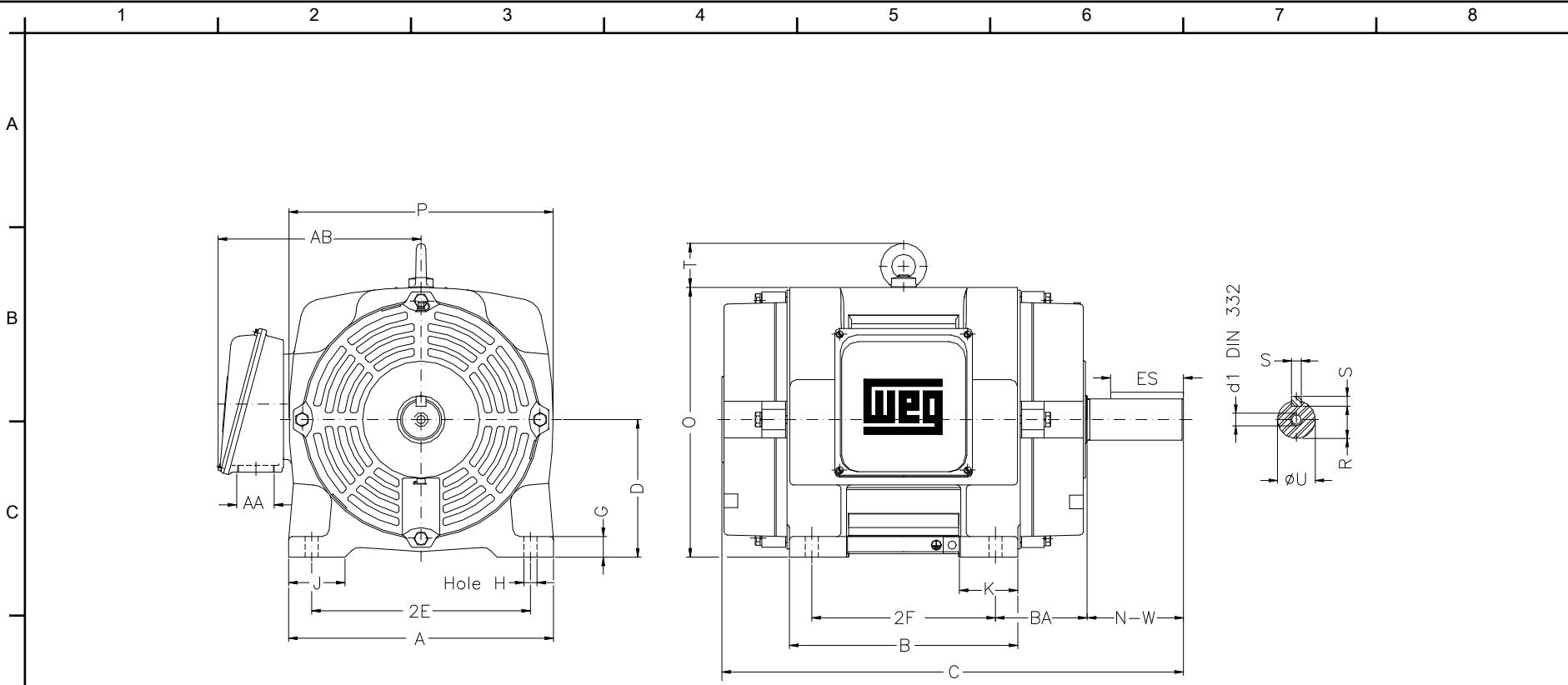
Customer :
Product line : ODP – Open Induction Motors – NEMA Premium Efficiency

Frame	: 326TS	Locked rotor current (I _l /I _n)	: 6.2
Output	: 60 HP	Duty cycle	: S1
Frequency	: 60 Hz	Service factor	: 1.15
Full load speed	: 3555 rpm	Design	: B
Voltage	: 575 V	Locked rotor torque	: 200 %
Rated current	: 56.8 A	Breakdown torque	: 260 %
Insulation class	: F		

Notes:
Downloaded from <http://dealerselectric.com>
Generated for Model #06036OT3H326TS

Performed by

Checked



Notes: Downloaded from <http://dealerselectric.com>
 Generated for Model #06036OT3H326TS

Performed by:

Checked:

Customer:

ODP – Open Induction Motors – NEMA Premium Efficiency

2E	J	A	P	AB
12.500	3.230	15.160	15.118	11.496
2F	K	B	BA	U
12.000	3.350	14.566	5.250	1.875
d1	N-W	ES	S	R
A 4	3.750	2.756	0.500	1.594
depth	D	G	O	T
0.500	8.000	1.299	15.551	2.559
H	C	AA		
0.656	26.181	NPT 2"		

Three-phase induction motor
 Frame 326TS - IP23

27-SEP-2016



1 2 3 4 5 6 7 8

A
B
C
D
E
F

RUN



ONLY FOR START



Notes: Downloaded from http://dealerselectric.com Generated for Model #06036OT3H326TS		
Performed by:		
Checked:		
Customer:		
ODP – Open Induction Motors – NEMA Premium Efficiency		
Three-phase induction motor Frame 326TS - IP23	27-SEP-2016	