



Dealers Industrial Equipment

No.:

Date: 27-SEP-2016

Customer :

TECHNICAL PROPOSAL

Three-phase induction motor - Squirrel cage rotor

Product line : Fire Pump Motors - ODP Three Phase - Foot Mount and Flange Mount

Catalog Number : 06036OP3HFP326TS

List Price : \$4,008

Notes:

Downloaded from <http://dealerselectric.com>

Generated for Model #06036OP3HFP326TS

Performed by:

Checked:



Dealers Industrial Equipment

No.:

Date: 27-SEP-2016

DATA SHEET Three-phase induction motor - Squirrel cage rotor

Customer :
 Product line : Fire Pump Motors - ODP Three Phase - Foot Mount and Flange Mount

Frame : 326TS
 Output : 60 HP
 Frequency : 60 Hz
 Poles : 2
 Full load speed : 3555 rpm
 Slip : 1.25 %
 Voltage : 575 V
 Rated current : 56.5 A
 Locked rotor current : 339 A
 Locked rotor current (I_L/I_n) : 6.0
 No-load current : 14.4 A
 Full load torque : 87.4 lb.ft
 Locked rotor torque : 230 %
 Breakdown torque : 250 %
 Design : B
 Insulation class : F
 Temperature rise : 80 K
 Locked rotor time : 17 s (hot)
 Service factor : 1.15
 Duty cycle : S1
 Ambient temperature : -20°C - +40°C
 Altitude : 1000 m
 Degree of Protection : IP23
 Approximate weight : 517 lb
 Moment of inertia : 3.9380 sq.ft.lb
 Noise level : 75 dB(A)

| | D.E. | N.D.E. |
|---------------------|-----------|-----------|
| Bearings | 6312 Z-C3 | 6212 Z-C3 |
| Regreasing interval | 19658 h | 20000 h |
| Grease amount | 21 g | 13 g |

| Load | Power factor | Efficiency (%) |
|------|--------------|----------------|
| 100% | 0.86 | 93.0 |
| 75% | 0.84 | 93.0 |
| 50% | 0.77 | 92.4 |

Notes:
 Downloaded from <http://dealerselectric.com>
 Generated for Model #06036OP3HFP326TS

Performed by

Checked



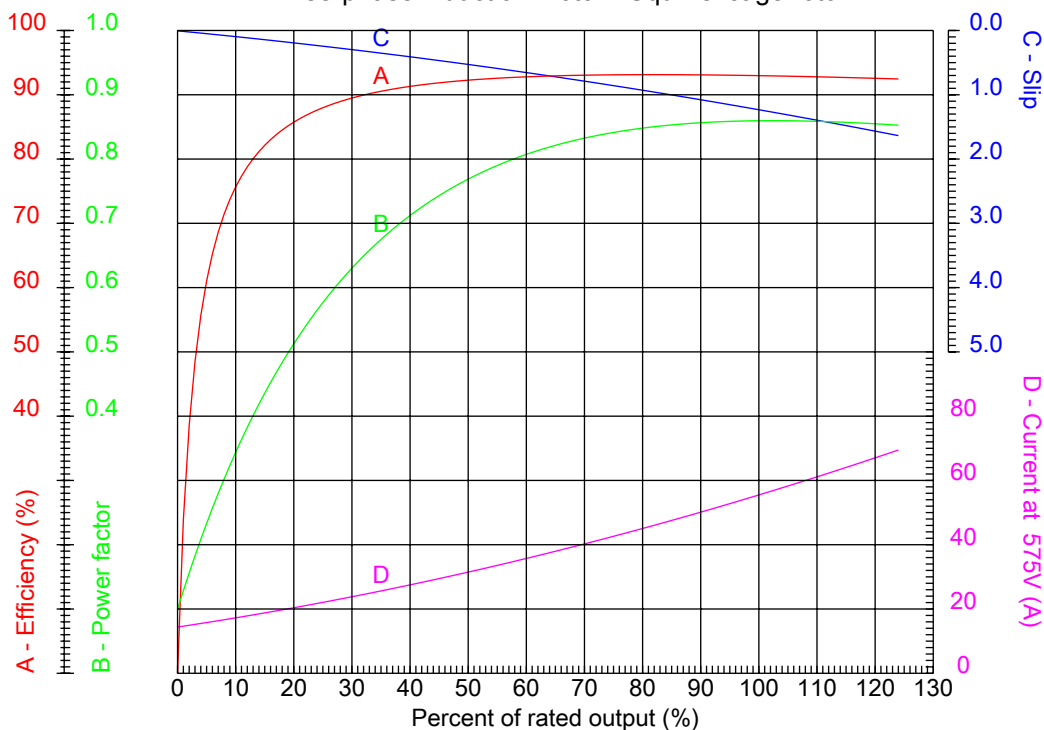
Dealers Industrial Equipment

No.:

Date: 27-SEP-2016

PERFORMANCE CURVES RELATED TO RATED OUTPUT

Three-phase induction motor - Squirrel cage rotor



Customer :
 Product line : Fire Pump Motors - ODP Three Phase - Foot Mount and Flange Mount

| | | | |
|------------------|------------|--|---------|
| Frame | : 326TS | Locked rotor current (I _L /I _n) | : 6.0 |
| Output | : 60 HP | Duty cycle | : S1 |
| Frequency | : 60 Hz | Service factor | : 1.15 |
| Full load speed | : 3555 rpm | Design | : B |
| Voltage | : 575 V | Locked rotor torque | : 230 % |
| Rated current | : 56.5 A | Breakdown torque | : 250 % |
| Insulation class | : F | | |

Notes:
 Downloaded from <http://dealerselectric.com>
 Generated for Model #06036OP3HFP326TS

Performed by

Checked



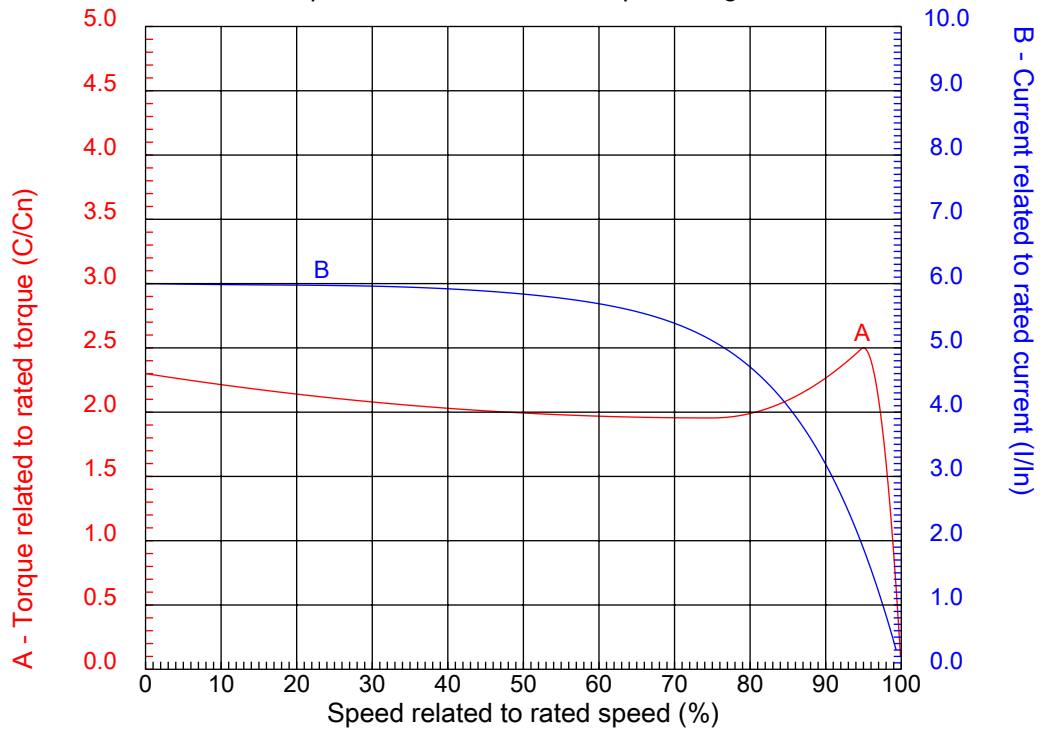
Dealers Industrial Equipment

No.:

Date: 27-SEP-2016

CHARACTERISTIC CURVES RELATED TO SPEED

Three-phase induction motor - Squirrel cage rotor



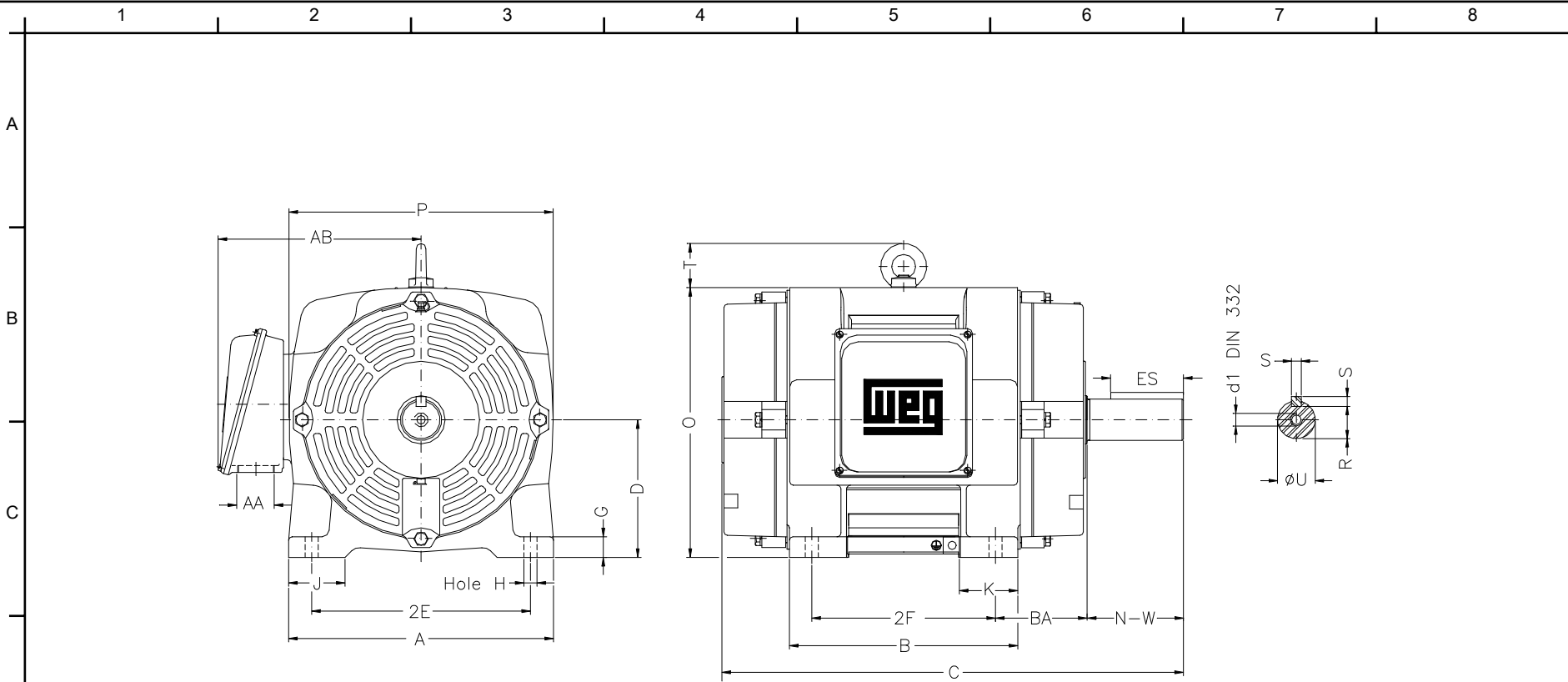
Customer :
Product line : Fire Pump Motors - ODP Three Phase - Foot Mount and Flange Mount

| | | | |
|------------------|------------|--|---------|
| Frame | : 326TS | Locked rotor current (I _l /I _n) | : 6.0 |
| Output | : 60 HP | Duty cycle | : S1 |
| Frequency | : 60 Hz | Service factor | : 1.15 |
| Full load speed | : 3555 rpm | Design | : B |
| Voltage | : 575 V | Locked rotor torque | : 230 % |
| Rated current | : 56.5 A | Breakdown torque | : 250 % |
| Insulation class | : F | | |

Notes:
Downloaded from <http://dealerselectric.com>
Generated for Model #06036OP3HFP326TS

Performed by

Checked



Notes: Downloaded from <http://dealerselectric.com>
 Generated for Model #06036OP3HFP326TS

Performed by:

Checked:

Customer:

Fire Pump Motors - ODP Three Phase - Foot Mount and Flange Mount

Three-phase induction motor
 Frame 326TS - IP23

27-SEP-2016



| | | | | |
|--------------|--------------|--------------|-------------|----------------|
| 2E 12.500 | A 15.160 | 2F 12.000 | B 14.566 | BA 5.250 |
| J 3.230 | K 3.350 | P 15.118 | ES 2.756 | depth 0.500 |
| S 0.500 | D 8.000 | N-W 3.750 | G 1.299 | U 1.875 |
| O 15.551 | T 2.559 | R 1.594 | H 0.656 | AB 11.496 |
| C 26.181 | AA NPT 2" | d1 A 4 | | |

1 2 3 4 5 6 7 8

A

B

C

D

E

F



Notes: Downloaded from <http://dealerselectric.com>
Generated for Model #06036OP3HFP326TS

Performed by:

Checked:

Customer:

Fire Pump Motors - ODP Three Phase - Foot Mount and Flange Mount

Three-phase induction motor
Frame 326TS - IP23

27-SEP-2016

