



Dealers Industrial Equipment

No.:

Date: 27-SEP-2016

Customer :

TECHNICAL PROPOSAL

Three-phase induction motor - Squirrel cage rotor

Product line : Close Coupled Pump : Three-Phase - "JM" Type - ODP - High Efficiency

Catalog Number : 06036OP3G326JM

List Price : \$4,859

Notes:

Downloaded from <http://dealerselectric.com>

Generated for Model #06036OP3G326JM

Performed by:

Checked:



# Dealers Industrial Equipment

No.:

Date: 27-SEP-2016

## DATA SHEET

### Three-phase induction motor - Squirrel cage rotor

Customer :  
 Product line : Close Coupled Pump : Three-Phase - "JM" Type - ODP - High Efficiency

Frame : 326JM  
 Output : 60 HP  
 Frequency : 60 Hz  
 Poles : 2  
 Full load speed : 3555 rpm  
 Slip : 1.25 %  
 Voltage : 460 V  
 Rated current : 70.6 A  
 Locked rotor current : 424 A  
 Locked rotor current (I<sub>L</sub>/I<sub>n</sub>) : 6.0  
 No-load current : 18.0 A  
 Full load torque : 87.4 lb.ft  
 Locked rotor torque : 230 %  
 Breakdown torque : 250 %  
 Design : B  
 Insulation class : F  
 Temperature rise : 80 K  
 Locked rotor time : 17 s (hot)  
 Service factor : 1.15  
 Duty cycle : S1  
 Ambient temperature : -20°C - +40°C  
 Altitude : 1000 m  
 Degree of Protection : IP23  
 Approximate weight : 564 lb  
 Moment of inertia : 3.9380 sq.ft.lb  
 Noise level : 75 dB(A)

	D.E.	N.D.E.	Load	Power factor	Efficiency (%)
Bearings	6312 Z-C3	6212 Z-C3	100%	0.86	93.0
Regreasing interval	19658 h	20000 h	75%	0.84	93.0
Grease amount	21 g	13 g	50%	0.77	92.4

Notes:  
 Downloaded from <http://dealerselectric.com>  
 Generated for Model #06036OP3G326JM

Performed by

Checked



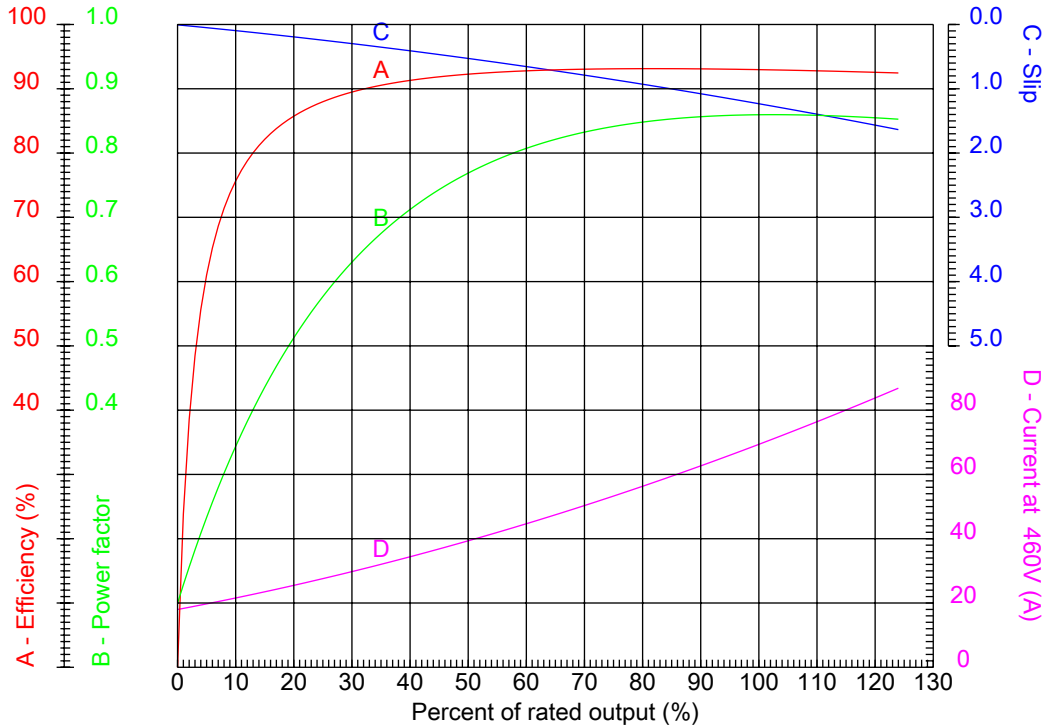
# Dealers Industrial Equipment

No.:

Date: 27-SEP-2016

## PERFORMANCE CURVES RELATED TO RATED OUTPUT

Three-phase induction motor - Squirrel cage rotor



Customer :  
 Product line : Close Coupled Pump : Three-Phase - "JM" Type - ODP - High Efficiency

Frame	: 326JM	Locked rotor current (I <sub>l</sub> /I <sub>n</sub> )	: 6.0
Output	: 60 HP	Duty cycle	: S1
Frequency	: 60 Hz	Service factor	: 1.15
Full load speed	: 3555 rpm	Design	: B
Voltage	: 460 V	Locked rotor torque	: 230 %
Rated current	: 70.6 A	Breakdown torque	: 250 %
Insulation class	: F		

Notes:  
 Downloaded from <http://dealerselectric.com>  
 Generated for Model #06036OP3G326JM

Performed by

Checked



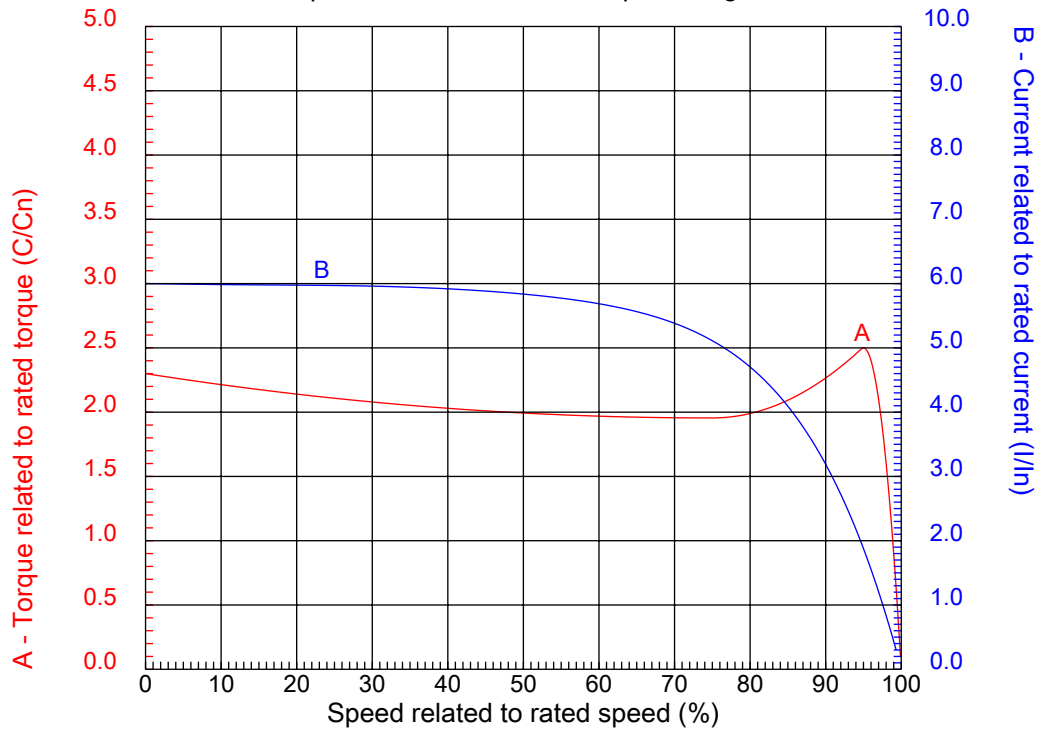
# Dealers Industrial Equipment

No.:

Date: 27-SEP-2016

## CHARACTERISTIC CURVES RELATED TO SPEED

Three-phase induction motor - Squirrel cage rotor



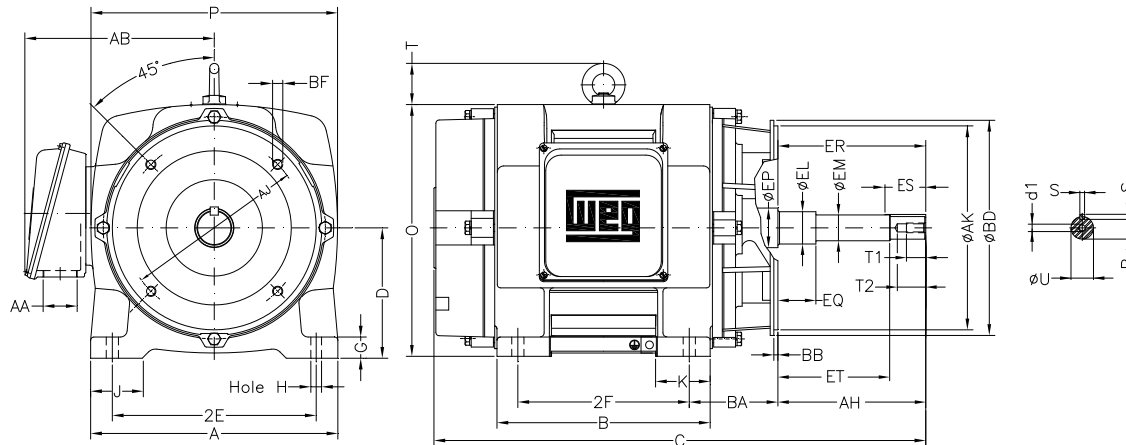
Customer :  
Product line : Close Coupled Pump : Three-Phase - "JM" Type - ODP - High Efficiency

Frame	: 326JM	Locked rotor current (I <sub>l</sub> /I <sub>n</sub> )	: 6.0
Output	: 60 HP	Duty cycle	: S1
Frequency	: 60 Hz	Service factor	: 1.15
Full load speed	: 3555 rpm	Design	: B
Voltage	: 460 V	Locked rotor torque	: 230 %
Rated current	: 70.6 A	Breakdown torque	: 250 %
Insulation class	: F		

Notes:  
Downloaded from <http://dealerselectric.com>  
Generated for Model #06036OP3G326JM

Performed by

Checked



Notes: Downloaded from <http://dealerselectric.com>  
Generated for Model #06036OP3G326JM

2E	A	2F	B	J
12.500	15.160	12.000	14.566	3.230
BA	D	K	G	O
5.500	8.000	3.350	1.299	15.551
P	T	AB	H	AA
15.118	2.559	11.496	0.657	NPT 2"
ER	EQ	ET	U	EM
5.250	0.630	3.006	1.249	1.375
EL	S	EP	R	ES
1.750	0.250	2.360	1.110	2.559
d1	t1	t2	C	Flange
EUNC 1/2"-13	0.984	1.496	27.927	FC-279
AJ	AK	BD	BF	BB
11.000	12.500	13.189	UNC 5/8"x11	0.250
AH				
5.250				

Performed by:

Checked:

Customer:

Close Coupled Pump : Three-Phase - "JM" Type - ODP - High Efficiency

Three-phase induction motor  
Frame 326JM - IP23

27-SEP-2016



1 2 3 4 5 6 7 8

A

### PART-WINDING

### WYE-DELTA

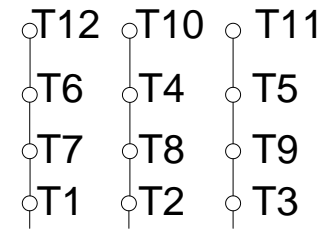
#### START

#### RUN

#### START

#### RUN

B



C

L1 L2 L3

L1 L2 L3

L1 L2 L3

L1 L2 L3

D

E

F

Notes: Downloaded from <http://dealerselectric.com>  
 Generated for Model #06036OP3G326JM

Performed by:

Checked:

Customer:

Close Coupled Pump : Three-Phase - "JM" Type - ODP - High Efficiency

Three-phase induction motor  
 Frame 326JM - IP23

27-SEP-2016

