



Dealers Industrial Equipment

No.:

Date: 27-SEP-2016

Customer :

TECHNICAL PROPOSAL

Three-phase induction motor - Squirrel cage rotor

Product line : Fire Pump Motors - ODP Three Phase - Foot Mount and Flange Mount

Catalog Number : 06036OP3EFP326TS

List Price : \$4,008

Notes:

Downloaded from <http://dealerselectric.com>

Generated for Model #06036OP3EFP326TS

Performed by:

Checked:



# Dealers Industrial Equipment

No.:

Date: 27-SEP-2016

## DATA SHEET Three-phase induction motor - Squirrel cage rotor

Customer :  
 Product line : Fire Pump Motors - ODP Three Phase - Foot Mount and Flange Mount

Frame : 326TS  
 Output : 60 HP  
 Frequency : 60 Hz  
 Poles : 2  
 Full load speed : 3555 rpm  
 Slip : 1.25 %  
 Voltage : 208-230/460 V  
 Rated current : 156-141/70.6 A  
 Locked rotor current : 847/424 A  
 Locked rotor current (I<sub>L</sub>/I<sub>n</sub>) : 6.0  
 No-load current : 36.0/18.0 A  
 Full load torque : 87.4 lb.ft  
 Locked rotor torque : 230 %  
 Breakdown torque : 250 %  
 Design : B  
 Insulation class : F  
 Temperature rise : 80 K  
 Locked rotor time : 17 s (hot)  
 Service factor : 1.15  
 Duty cycle : S1  
 Ambient temperature : -20°C - +40°C  
 Altitude : 1000 m  
 Degree of Protection : IP23  
 Approximate weight : 517 lb  
 Moment of inertia : 3.9380 sq.ft.lb  
 Noise level : 75 dB(A)

	D.E.	N.D.E.
Bearings	6312 Z-C3	6212 Z-C3
Regreasing interval	19658 h	20000 h
Grease amount	21 g	13 g

Load	Power factor	Efficiency (%)
100%	0.86	93.0
75%	0.84	93.0
50%	0.77	92.4

Notes:  
 Downloaded from <http://dealerselectric.com>  
 Generated for Model #06036OP3EFP326TS

Performed by

Checked



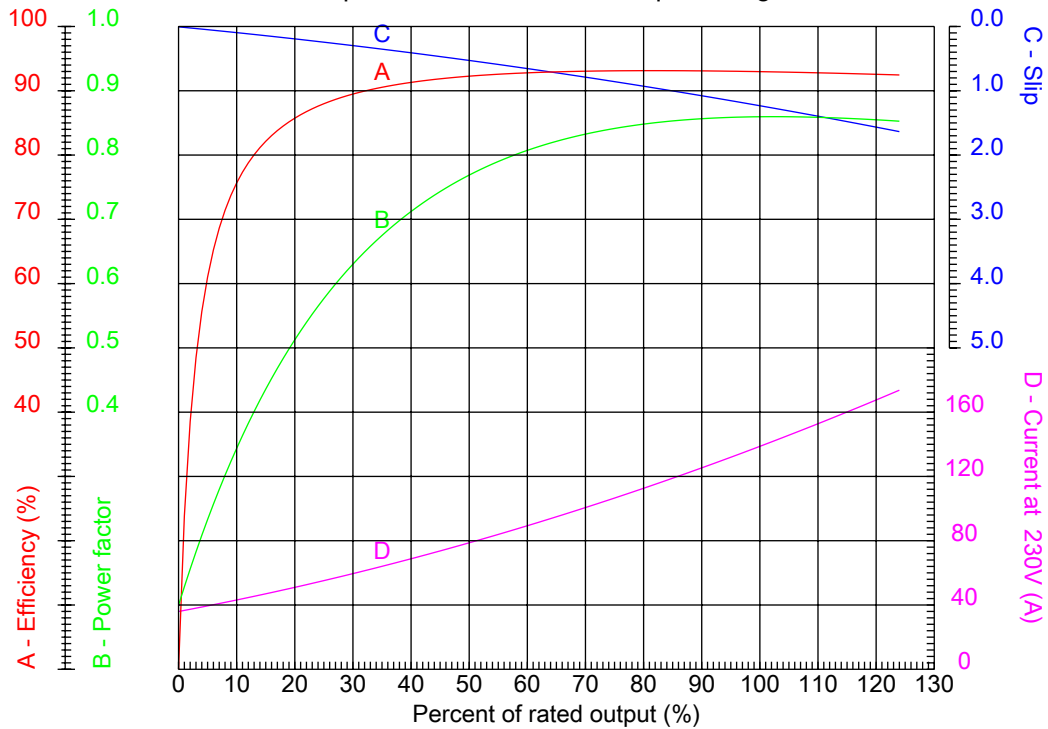
# Dealers Industrial Equipment

No.:

Date: 27-SEP-2016

## PERFORMANCE CURVES RELATED TO RATED OUTPUT

Three-phase induction motor - Squirrel cage rotor



Customer :  
Product line : Fire Pump Motors - ODP Three Phase - Foot Mount and Flange Mount

Frame	: 326TS	Locked rotor current (I <sub>L</sub> /I <sub>n</sub> )	: 6.0
Output	: 60 HP	Duty cycle	: S1
Frequency	: 60 Hz	Service factor	: 1.15
Full load speed	: 3555 rpm	Design	: B
Voltage	: 208-230/460 V	Locked rotor torque	: 230 %
Rated current	: 156-141/70.6 A	Breakdown torque	: 250 %
Insulation class	: F		

Notes:  
Downloaded from <http://dealerselectric.com>  
Generated for Model #06036OP3EFP326TS

Performed by

Checked



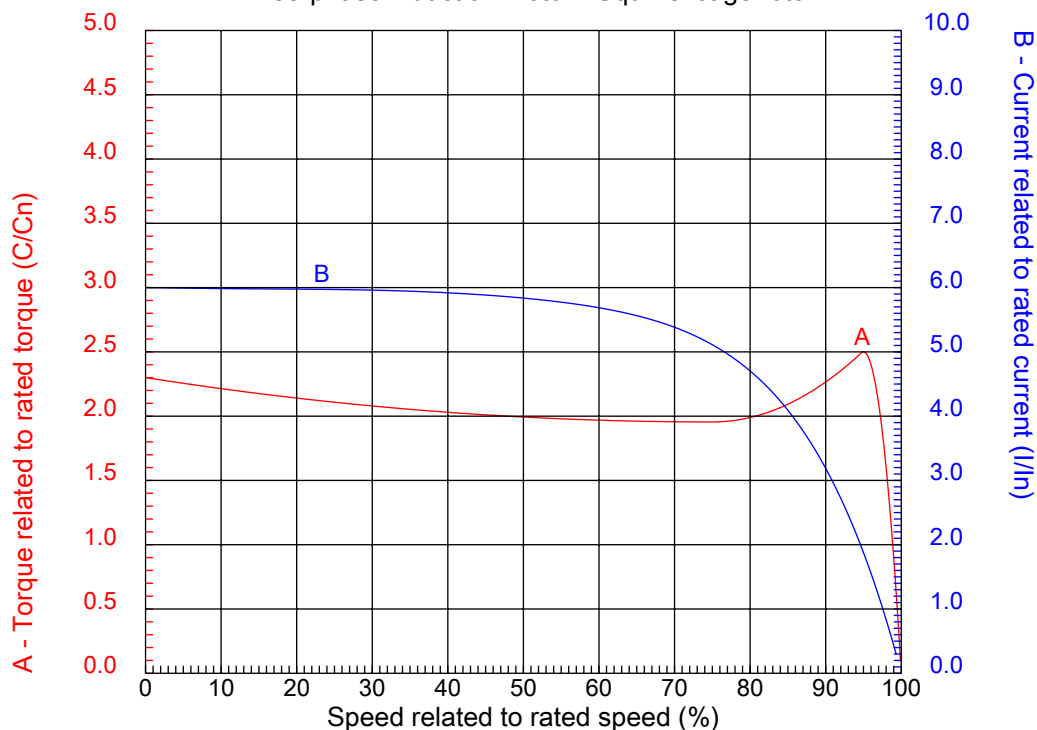
# Dealers Industrial Equipment

No.:

Date: 27-SEP-2016

## CHARACTERISTIC CURVES RELATED TO SPEED

Three-phase induction motor - Squirrel cage rotor



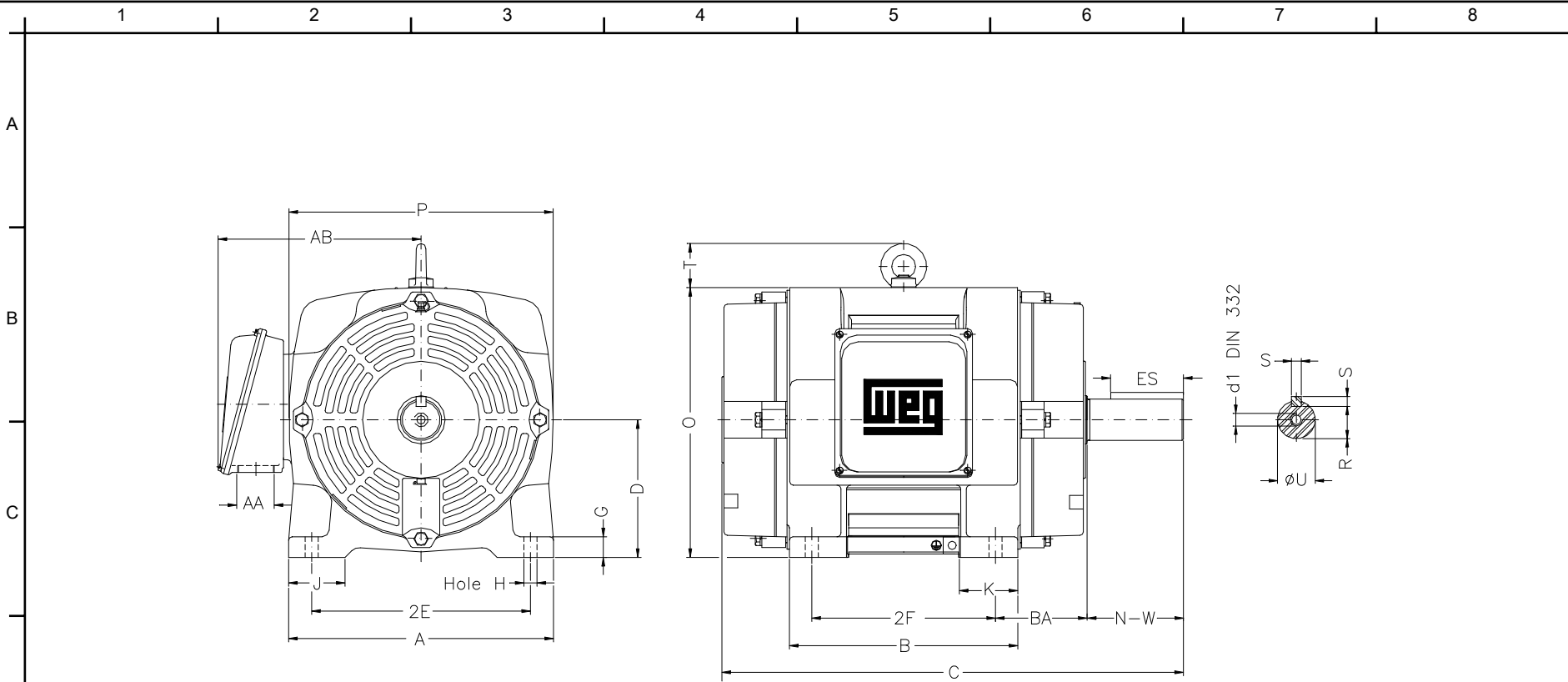
Customer :  
Product line : Fire Pump Motors - ODP Three Phase - Foot Mount and Flange Mount

Frame	: 326TS	Locked rotor current (I <sub>l</sub> /I <sub>n</sub> )	: 6.0
Output	: 60 HP	Duty cycle	: S1
Frequency	: 60 Hz	Service factor	: 1.15
Full load speed	: 3555 rpm	Design	: B
Voltage	: 208-230/460 V	Locked rotor torque	: 230 %
Rated current	: 156-141/70.6 A	Breakdown torque	: 250 %
Insulation class	: F		

Notes:  
Downloaded from <http://dealerselectric.com>  
Generated for Model #06036OP3EFP326TS

Performed by

Checked



Notes: Downloaded from <http://dealerselectric.com>  
Generated for Model #06036OP3EFP326TS

Performed by:

Checked:

Customer:

2E	A	2F	B	BA
12.500	15.160	12.000	14.566	5.250
J	K	P	ES	depth
3.230	3.350	15.118	2.756	0.500
S	D	N-W	G	U
0.500	8.000	3.750	1.299	1.875
O	T	R	H	AB
15.551	2.559	1.594	0.656	11.496
C	AA	d1		
26.181	NPT 2"	A 4		

Fire Pump Motors - ODP Three Phase - Foot Mount and Flange Mount

Three-phase induction motor  
Frame 326TS - IP23

27-SEP-2016



1 2 3 4 5 6 7 8

A  
B  
C  
D  
E  
F

LOW VOLTAGE

HIGH VOLTAGE



CONNECTIONS FOR STARTING ONLY:

LOW VOLTAGE

HIGH VOLTAGE



Notes: Downloaded from <http://dealerselectric.com>  
Generated for Model #06036OP3EFP326TS

Performed by:

Checked:

Customer:

Fire Pump Motors - ODP Three Phase - Foot Mount and Flange Mount

Three-phase induction motor  
Frame 326TS - IP23

27-SEP-2016

