



Dealers Industrial Equipment

No.:

Date: 27-SEP-2016

Customer :

TECHNICAL PROPOSAL

Three-phase induction motor - Squirrel cage rotor

Product line : W22 Super Premium

Catalog Number : 06036EG3E364TS-W22

List Price : \$8,307

Notes:

Downloaded from <http://dealerselectric.com>

Generated for Model #06036EG3E364TS-W22

Performed by:

Checked:



Dealers Industrial Equipment

No.:

Date: 27-SEP-2016

DATA SHEET Three-phase induction motor - Squirrel cage rotor

Customer :
Product line : W22 Super Premium

Frame : 364/5TS
Output : 60 HP
Frequency : 60 Hz
Poles : 2
Full load speed : 3570 rpm
Slip : 0.83 %
Voltage : 208-230/460 V
Rated current : 148-134/66.8 A
Locked rotor current : 1060/528 A
Locked rotor current (I_L/I_n) : 7.9
No-load current : 44.0/22.0 A
Full load torque : 87.1 lb.ft
Locked rotor torque : 240 %
Breakdown torque : 320 %
Design : A
Insulation class : F
Temperature rise : 80 K
Locked rotor time : 25 s (hot)
Service factor : 1.25
Duty cycle : S1
Ambient temperature : -20°C - +40°C
Altitude : 1000 m
Degree of Protection : IP55
Approximate weight : 926 lb
Moment of inertia : 8.6064 sq.ft.lb
Noise level : 79 dB(A)

| | D.E. | N.D.E. |
|---------------------|---------|---------|
| Bearings | 6314 C3 | 6314 C3 |
| Regreasing interval | 4000 h | 4000 h |
| Grease amount | 27 g | 27 g |

| Load | Power factor | Efficiency (%) |
|------|--------------|----------------|
| 100% | 0.89 | 95.0 |
| 75% | 0.86 | 94.5 |
| 50% | 0.79 | 93.0 |

Notes:
Downloaded from <http://dealerselectric.com>
Generated for Model #06036EG3E364TS-W22

Performed by

Checked



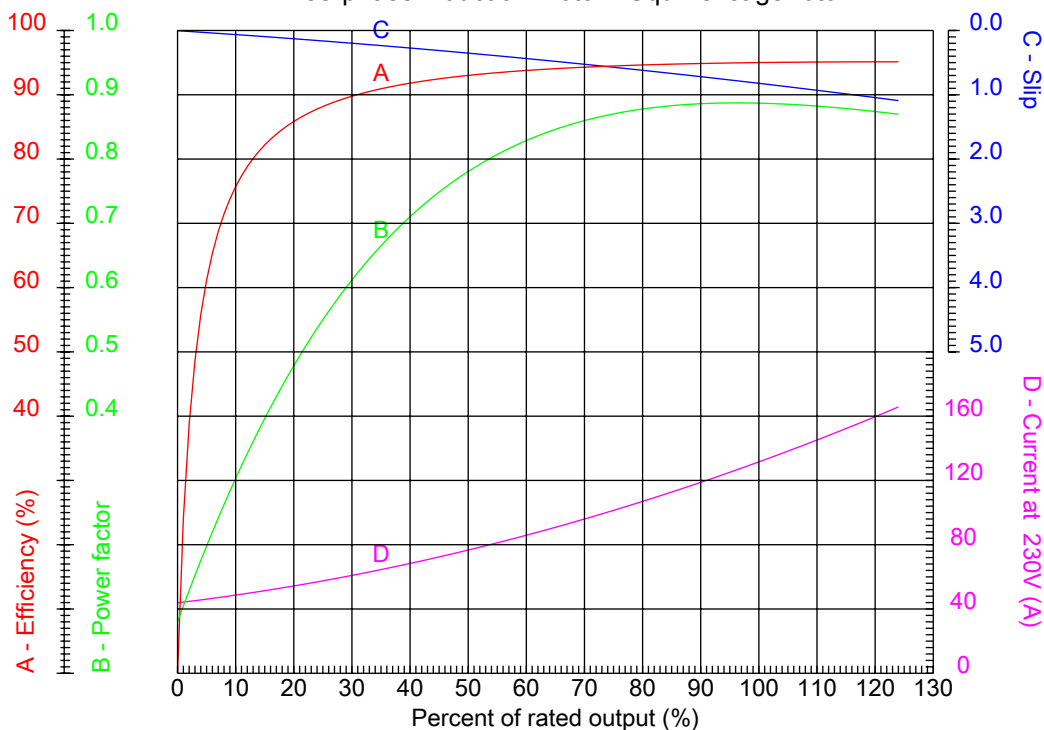
Dealers Industrial Equipment

No.:

Date: 27-SEP-2016

PERFORMANCE CURVES RELATED TO RATED OUTPUT

Three-phase induction motor - Squirrel cage rotor



Customer :
 Product line : W22 Super Premium

| | |
|--------------------------------|--|
| Frame : 364/5TS | Locked rotor current (I _l /I _n) : 7.9 |
| Output : 60 HP | Duty cycle : S1 |
| Frequency : 60 Hz | Service factor : 1.25 |
| Full load speed : 3570 rpm | Design : A |
| Voltage : 208-230/460 V | Locked rotor torque : 240 % |
| Rated current : 148-134/66.8 A | Breakdown torque : 320 % |
| Insulation class : F | |

Notes:
 Downloaded from <http://dealerselectric.com>
 Generated for Model #06036EG3E364TS-W22

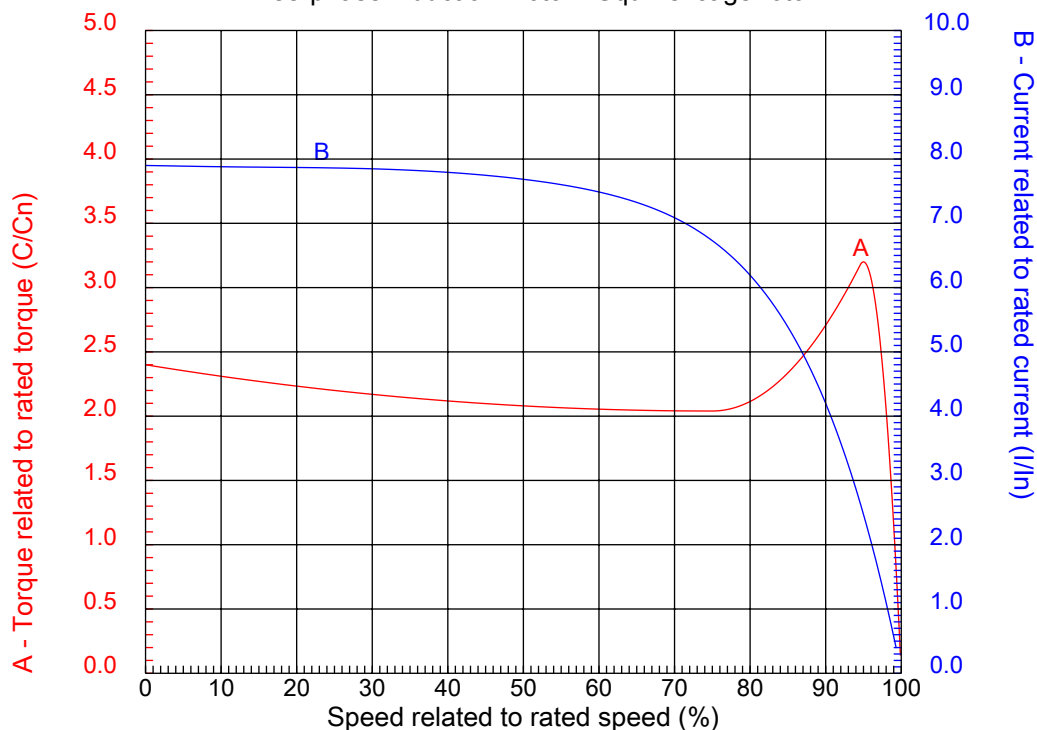
Performed by

Checked



CHARACTERISTIC CURVES RELATED TO SPEED

Three-phase induction motor - Squirrel cage rotor



Customer :
Product line : W22 Super Premium

| | | | |
|------------------|------------------|--|---------|
| Frame | : 364/5TS | Locked rotor current (I _l /I _n) | : 7.9 |
| Output | : 60 HP | Duty cycle | : S1 |
| Frequency | : 60 Hz | Service factor | : 1.25 |
| Full load speed | : 3570 rpm | Design | : A |
| Voltage | : 208-230/460 V | Locked rotor torque | : 240 % |
| Rated current | : 148-134/66.8 A | Breakdown torque | : 320 % |
| Insulation class | : F | | |

Notes:
Downloaded from <http://dealerselectric.com>
Generated for Model #06036EG3E364TS-W22

Performed by

Checked

1 2 3 4 5 6 7 8

A

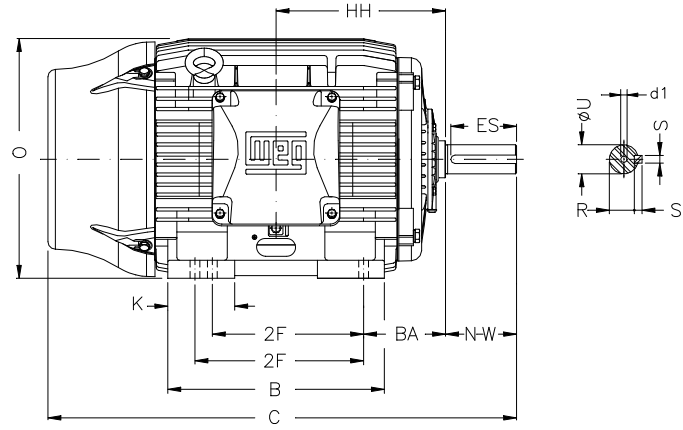
B

C

D

E

F



Notes: Downloaded from <http://dealerselectric.com>
Generated for Model #06036EG3E364TS-W22

Performed by:

Checked:

Customer:

W22 Super Premium

Three-phase induction motor
Frame 364/5TS - IP55

27-SEP-2016



| | | | | |
|---------------------|--------------|--------------------|-------------|---------------|
| 2E 14.016 | J 3.150 | A 17.165 | P 17.914 | AB 16.016 |
| 2F 11.260/12.244 | K 4.138 | B 16.220 | BA 5.875 | FBA 11.708 |
| U 1.875 | N-W 3.748 | ES 1.968 | S 0.500 | R 1.591 |
| depth 0.500 | D 9.000 | G 1.480 | HB 4.251 | O 17.957 |
| HH 11.988 | HK 6.024 | H 0.660 | C 32.338 | LL 10.591 |
| LM 11.267 | AA NPT 3" | d1 DUNC 3/4"-10 | | |

1 2 3 4 5 6 7 8

A
B
C
D
E
F

LOW VOLTAGE

HIGH VOLTAGE



CONNECTIONS FOR STARTING ONLY:

LOW VOLTAGE

HIGH VOLTAGE



Notes: Downloaded from <http://dealerselectric.com>
Generated for Model #06036EG3E364TS-W22

Performed by:

Checked:

Customer:

W22 Super Premium

Three-phase induction motor
Frame 364/5TS - IP55

27-SEP-2016

