



Dealers Industrial Equipment

No.:

Date: 27-SEP-2016

Customer :

TECHNICAL PROPOSAL

Three-phase induction motor - Squirrel cage rotor

Product line : ODP General Purpose

Catalog Number : 06018OT3E364T-G

List Price : \$5,283

Notes:

Downloaded from <http://dealerselectric.com>

Generated for Model #06018OT3E364T-G

Performed by:

Checked:



Dealers Industrial Equipment

No.:

Date: 27-SEP-2016

DATA SHEET Three-phase induction motor - Squirrel cage rotor

Customer :
Product line : ODP General Purpose

Frame : 364/5T
Output : 60 HP
Frequency : 60 Hz
Poles : 4
Full load speed : 1780 rpm
Slip : 1.11 %
Voltage : 208-230/460 V
Rated current : 155-140/69.9 A
Locked rotor current : 937/468 A
Locked rotor current (I_L/I_n) : 6.7
No-load current : 50.0/25.0 A
Full load torque : 175 lb.ft
Locked rotor torque : 250 %
Breakdown torque : 300 %
Design : B
Insulation class : F
Temperature rise : 80 K
Locked rotor time : 15 s (hot)
Service factor : 1.15
Duty cycle : S1
Ambient temperature : -20°C - +40°C
Altitude : 1000 m
Degree of Protection : IP23
Approximate weight : 643 lb
Moment of inertia : 15.555 sq.ft.lb
Noise level : 68 dB(A)

	D.E.	N.D.E.
Bearings	6314 C3	6314 C3
Regreasing interval	20000 h	20000 h
Grease amount	27 g	27 g

Load	Power factor	Efficiency (%)
100%	0.85	95.0
75%	0.83	94.5
50%	0.74	94.5

Notes:
Downloaded from <http://dealerselectric.com>
Generated for Model #06018OT3E364T-G

Performed by

Checked



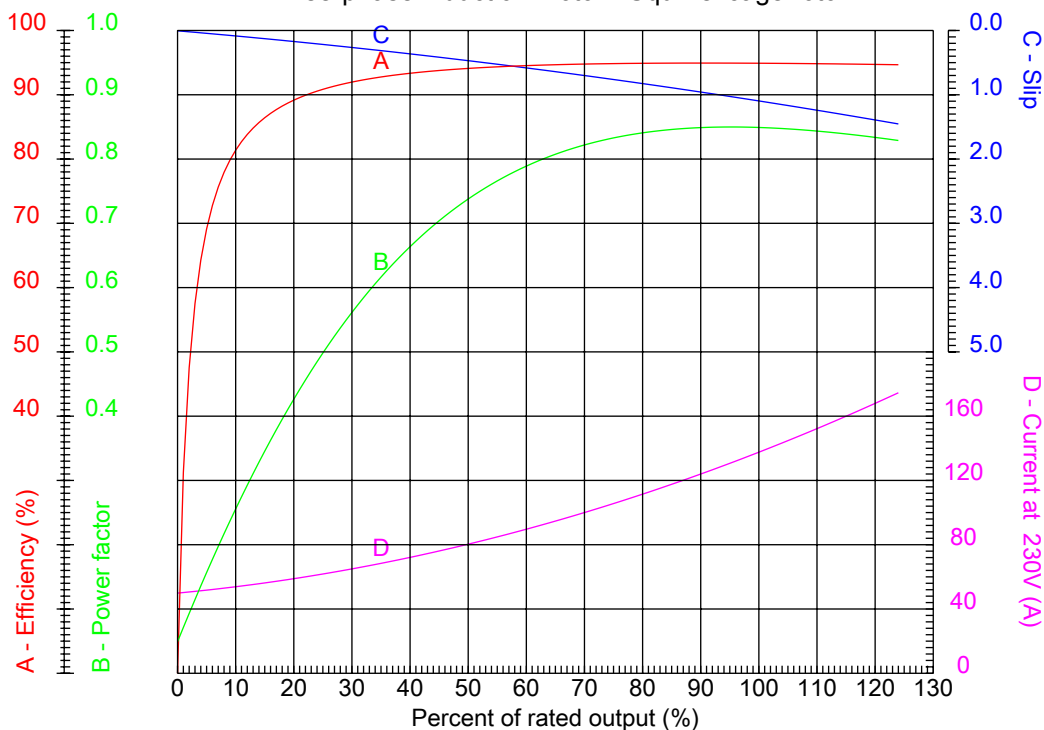
Dealers Industrial Equipment

No.:

Date: 27-SEP-2016

PERFORMANCE CURVES RELATED TO RATED OUTPUT

Three-phase induction motor - Squirrel cage rotor



Customer :
 Product line : ODP General Purpose

Frame	: 364/5T	Locked rotor current (I _l /I _n)	: 6.7
Output	: 60 HP	Duty cycle	: S1
Frequency	: 60 Hz	Service factor	: 1.15
Full load speed	: 1780 rpm	Design	: B
Voltage	: 208-230/460 V	Locked rotor torque	: 250 %
Rated current	: 155-140/69.9 A	Breakdown torque	: 300 %
Insulation class	: F		

Notes:
 Downloaded from <http://dealerselectric.com>
 Generated for Model #06018OT3E364T-G

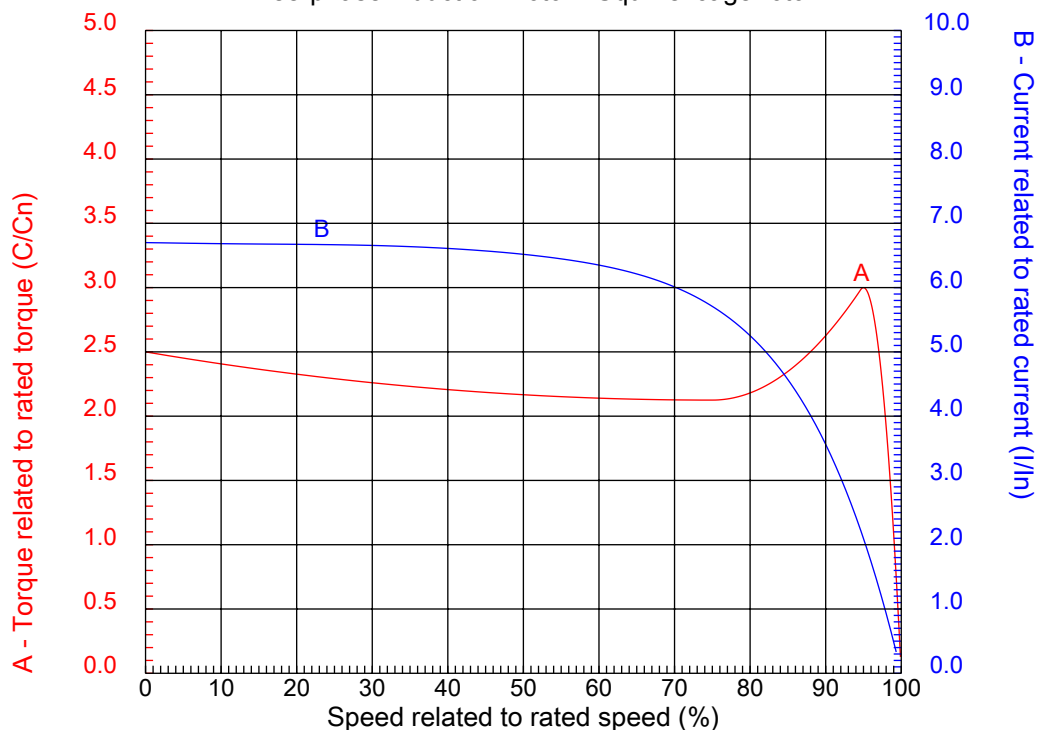
Performed by

Checked



CHARACTERISTIC CURVES RELATED TO SPEED

Three-phase induction motor - Squirrel cage rotor



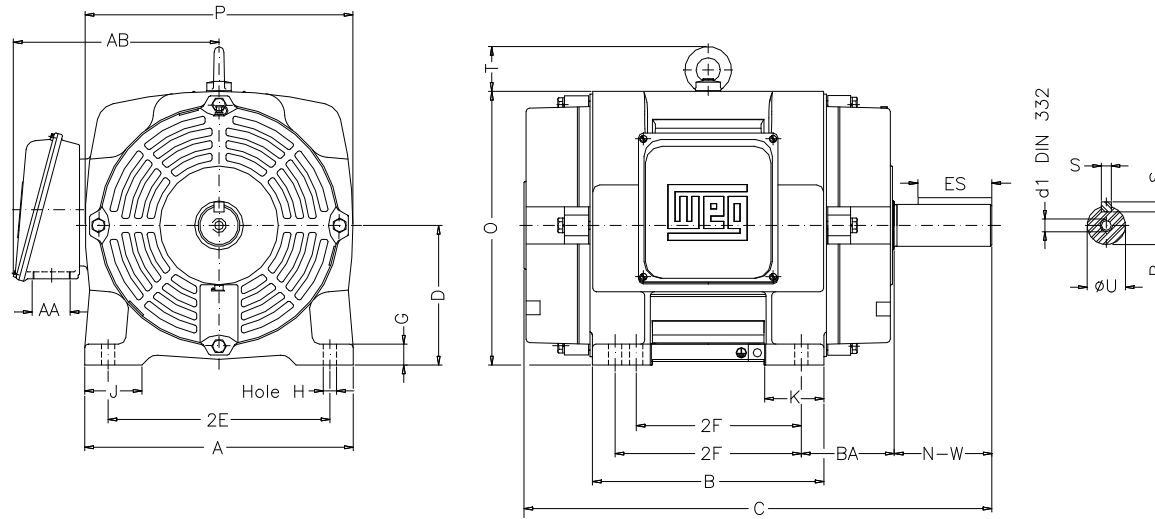
Customer :
Product line : ODP General Purpose

Frame	: 364/5T	Locked rotor current (I _l /I _n)	: 6.7
Output	: 60 HP	Duty cycle	: S1
Frequency	: 60 Hz	Service factor	: 1.15
Full load speed	: 1780 rpm	Design	: B
Voltage	: 208-230/460 V	Locked rotor torque	: 250 %
Rated current	: 155-140/69.9 A	Breakdown torque	: 300 %
Insulation class	: F		

Notes:
Downloaded from <http://dealerselectric.com>
Generated for Model #06018OT3E364T-G

Performed by

Checked



Notes: Downloaded from <http://dealerselectric.com>
 Generated for Model #06018OT3E364T-G

Performed by:

Checked:

Customer:

ODP General Purpose

Three-phase induction motor
 Frame 364/5T - IP23

27-SEP-2016



2E 14.000	A 17.170	2F 11.250/12.250	B 15.400	BA 5.875
J 3.150	K 4.140	P 17.874	ES 4.330	depth 0.625
S 0.625	D 9.000	N-W 5.874	G 1.480	U 2.375
O 18.425	T 2.795	R 2.019	H 0.657	AB 16.378
C 29.764	AA NPT 3"	d1 DUNC 3/4"-10		

F

E

D

C

B

A

1

2

3

4

5

6

7

8

1 2 3 4 5 6 7 8

A
B
C
D
E
F

LOW VOLTAGE

HIGH VOLTAGE



CONNECTIONS FOR STARTING ONLY:

LOW VOLTAGE

HIGH VOLTAGE



Notes: Downloaded from <http://dealerselectric.com>
Generated for Model #06018OT3E364T-G

Performed by:

Checked:

Customer:

ODP General Purpose

Three-phase induction motor
Frame 364/5T - IP23

27-SEP-2016

