



Dealers Industrial Equipment

No.:

Date: 27-SEP-2016

Customer :

TECHNICAL PROPOSAL

Three-phase induction motor - Squirrel cage rotor

Product line : W22 NEMA Premium - Ball Bearings

Catalog Number : 06018ET3E364TC-W22

List Price : \$7,831

Notes:

Downloaded from <http://dealerselectric.com>

Generated for Model #06018ET3E364TC-W22

Performed by:

Checked:



Dealers Industrial Equipment

No.:

Date: 27-SEP-2016

DATA SHEET Three-phase induction motor - Squirrel cage rotor

Customer :
Product line : W22 NEMA Premium - Ball Bearings

Frame : 364/5T
Output : 60 HP
Frequency : 60 Hz
Poles : 4
Full load speed : 1775 rpm
Slip : 1.39 %
Voltage : 208-230/460 V
Rated current : 151-137/68.3 A
Locked rotor current : 902/451 A
Locked rotor current (I_L/I_n) : 6.6
No-load current : 48.0/24.0 A
Full load torque : 175 lb.ft
Locked rotor torque : 240 %
Breakdown torque : 260 %
Design : B
Insulation class : F
Temperature rise : 80 K
Locked rotor time : 15 s (hot)
Service factor : 1.25
Duty cycle : S1
Ambient temperature : -20°C - +40°C
Altitude : 1000 m
Degree of Protection : IP55
Approximate weight : 869 lb
Moment of inertia : 22.421 sq.ft.lb
Noise level : 67 dB(A)

	D.E.	N.D.E.	Load	Power factor	Efficiency (%)
Bearings	6314 C3	6314 C3	100%	0.87	95.0
Regreasing interval	12000 h	12000 h	75%	0.83	94.5
Grease amount	27 g	27 g	50%	0.75	94.1

Notes:
Downloaded from <http://dealerselectric.com>
Generated for Model #06018ET3E364TC-W22

Performed by

Checked



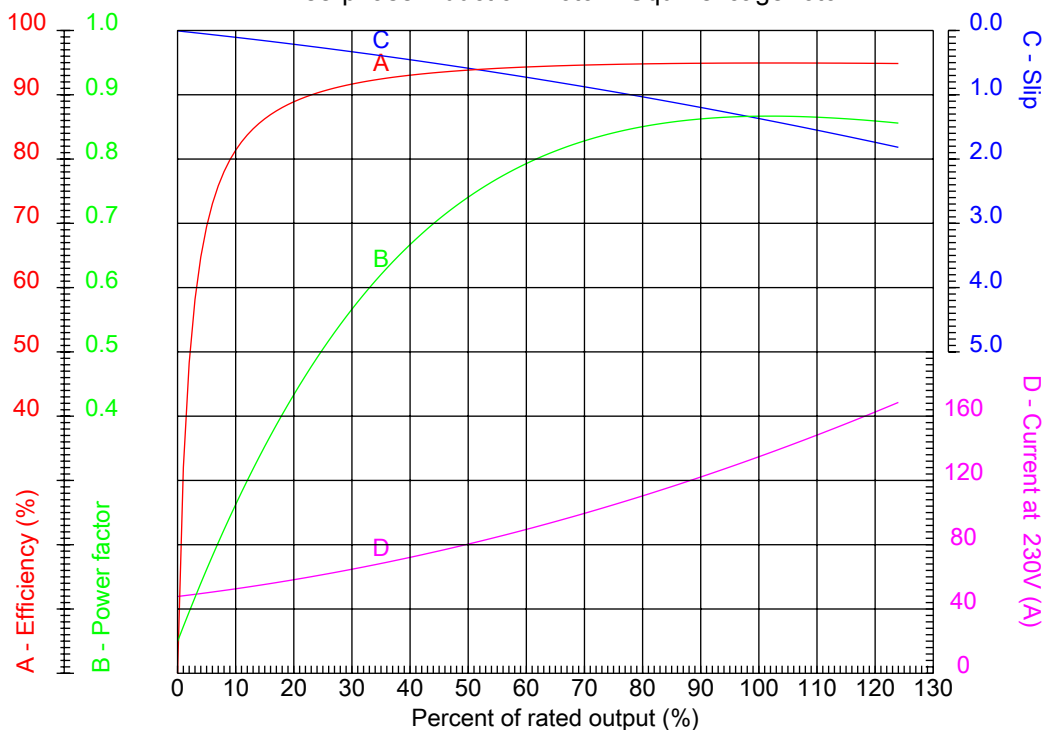
Dealers Industrial Equipment

No.:

Date: 27-SEP-2016

PERFORMANCE CURVES RELATED TO RATED OUTPUT

Three-phase induction motor - Squirrel cage rotor



Customer :
Product line : W22 NEMA Premium - Ball Bearings

Frame	: 364/5T	Locked rotor current (I _l /I _n)	: 6.6
Output	: 60 HP	Duty cycle	: S1
Frequency	: 60 Hz	Service factor	: 1.25
Full load speed	: 1775 rpm	Design	: B
Voltage	: 208-230/460 V	Locked rotor torque	: 240 %
Rated current	: 151-137/68.3 A	Breakdown torque	: 260 %
Insulation class	: F		

Notes:
Downloaded from <http://dealerselectric.com>
Generated for Model #06018ET3E364TC-W22

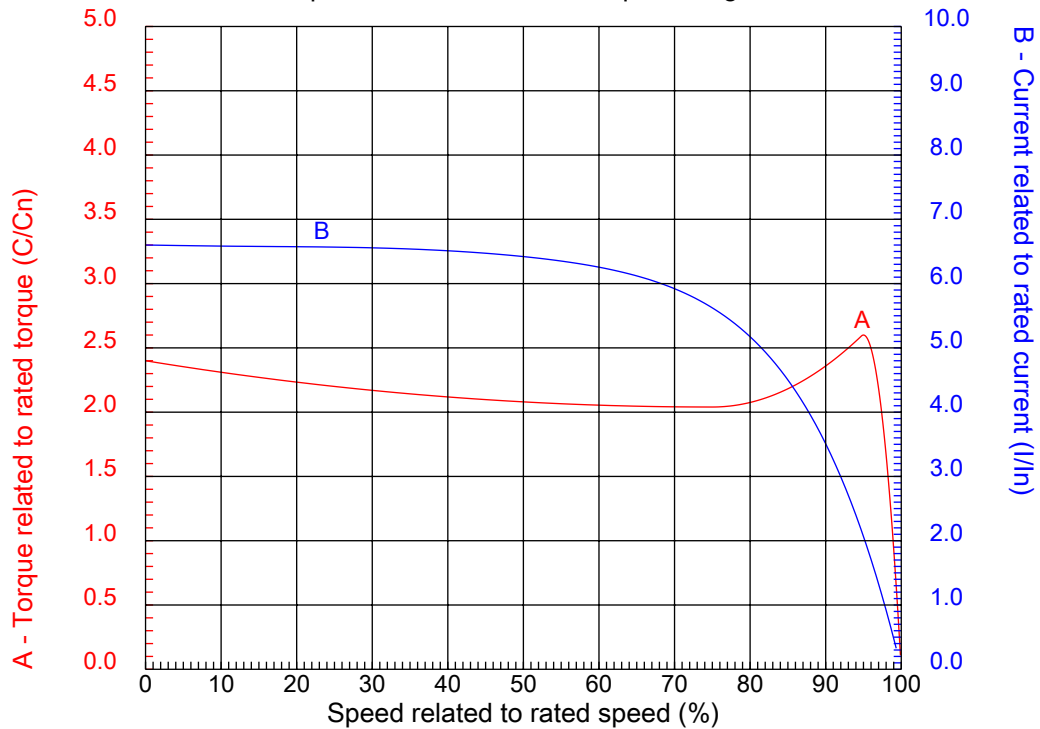
Performed by

Checked



CHARACTERISTIC CURVES RELATED TO SPEED

Three-phase induction motor - Squirrel cage rotor



Customer :
Product line : W22 NEMA Premium - Ball Bearings

Frame	: 364/5T	Locked rotor current (I _l /I _n)	: 6.6
Output	: 60 HP	Duty cycle	: S1
Frequency	: 60 Hz	Service factor	: 1.25
Full load speed	: 1775 rpm	Design	: B
Voltage	: 208-230/460 V	Locked rotor torque	: 240 %
Rated current	: 151-137/68.3 A	Breakdown torque	: 260 %
Insulation class	: F		

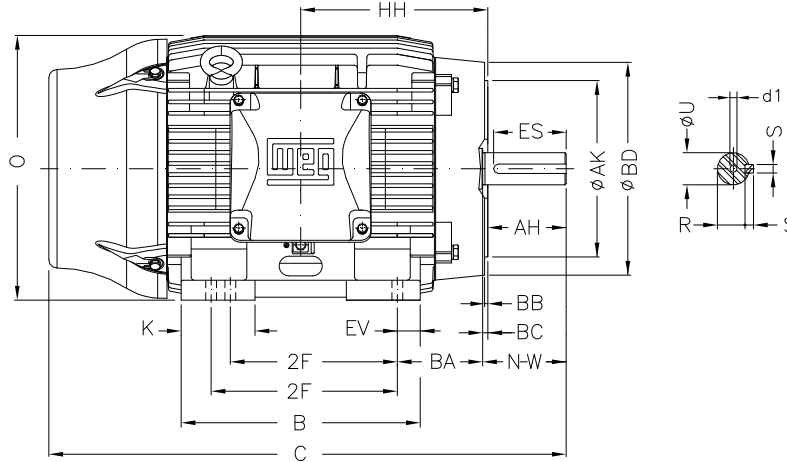
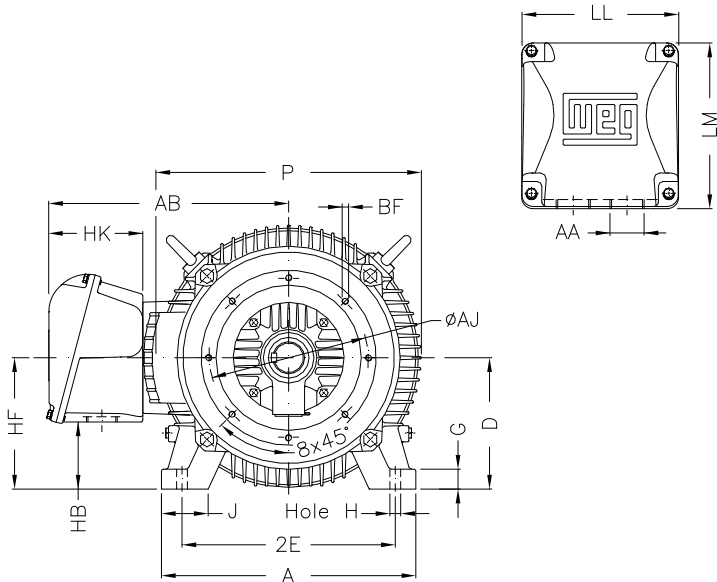
Notes:
Downloaded from <http://dealerselectric.com>
Generated for Model #06018ET3E364TC-W22

Performed by

Checked

1 2 3 4 5 6 7 8

A
B
C
D



E	2E 14.016	J 3.150	A 17.165	P 17.914	AB 16.016
	2F 11.260/12.244	K 4.138	B 16.220	BA 5.875	FBA 11.708
	U 2.375	N-W 5.874	ES 4.330	S 0.625	R 2.019
	depth 0.625	D 9.000	G 1.480	HB 4.251	O 17.957
	HH 11.988	HK 6.024	EV 1.634	H 0.660	C 34.251
F	FC 39.339	LL 10.591	LM 11.267	AA NPT 3"	d1 DUNC 3/4"-10
	Flange FC-279	AJ 11.000	AK 12.500	BD 15.55	BF UNC 5/8"×11
	BB 0.250	BC 0.250	AH 5.625		

Notes: Downloaded from <http://dealerselectric.com>
Generated for Model #06018ET3E364TC-W22

Performed by:

Checked:

Customer:

W22 NEMA Premium - Ball Bearings

Three-phase induction motor
Frame 364/5T - IP55

27-SEP-2016



1 2 3 4 5 6 7 8

A
B
C
D
E
F

LOW VOLTAGE

HIGH VOLTAGE



CONNECTIONS FOR STARTING ONLY:

LOW VOLTAGE

HIGH VOLTAGE



Notes: Downloaded from <http://dealerselectric.com>
Generated for Model #06018ET3E364TC-W22

Performed by:

Checked:

Customer:

W22 NEMA Premium - Ball Bearings

Three-phase induction motor
Frame 364/5T - IP55

27-SEP-2016

