



Dealers Industrial Equipment

No.:

Date: 27-SEP-2016

Customer :

TECHNICAL PROPOSAL

Three-phase induction motor - Squirrel cage rotor

Product line : W22 Super Premium

Catalog Number : 06012EG3E404T-W22

List Price : \$11,547

Notes:

Downloaded from <http://dealerselectric.com>

Generated for Model #06012EG3E404T-W22

Performed by:

Checked:



Dealers Industrial Equipment

No.:

Date: 27-SEP-2016

DATA SHEET Three-phase induction motor - Squirrel cage rotor

Customer :
Product line : W22 Super Premium

Frame : 404/5T
Output : 60 HP
Frequency : 60 Hz
Poles : 6
Full load speed : 1185 rpm
Slip : 1.25 %
Voltage : 208-230/460 V
Rated current : 160-144/72.2 A
Locked rotor current : 1140/570 A
Locked rotor current (I_L/I_n) : 7.9
No-load current : 68.0/34.0 A
Full load torque : 262 lb.ft
Locked rotor torque : 280 %
Breakdown torque : 320 %
Design : A
Insulation class : F
Temperature rise : 80 K
Locked rotor time : 22 s (hot)
Service factor : 1.25
Duty cycle : S1
Ambient temperature : -20°C - +40°C
Altitude : 1000 m
Degree of Protection : IP55
Approximate weight : 1111 lb
Moment of inertia : 39.073 sq.ft.lb
Noise level : 68 dB(A)

| | D.E. | N.D.E. |
|---------------------|---------|---------|
| Bearings | 6316 C3 | 6314 C3 |
| Regreasing interval | 16000 h | 17000 h |
| Grease amount | 34 g | 27 g |

| Load | Power factor | Efficiency (%) |
|------|--------------|----------------|
| 100% | 0.82 | 95.4 |
| 75% | 0.77 | 95.0 |
| 50% | 0.65 | 94.1 |

Notes:
Downloaded from <http://dealerselectric.com>
Generated for Model #06012EG3E404T-W22

Performed by

Checked



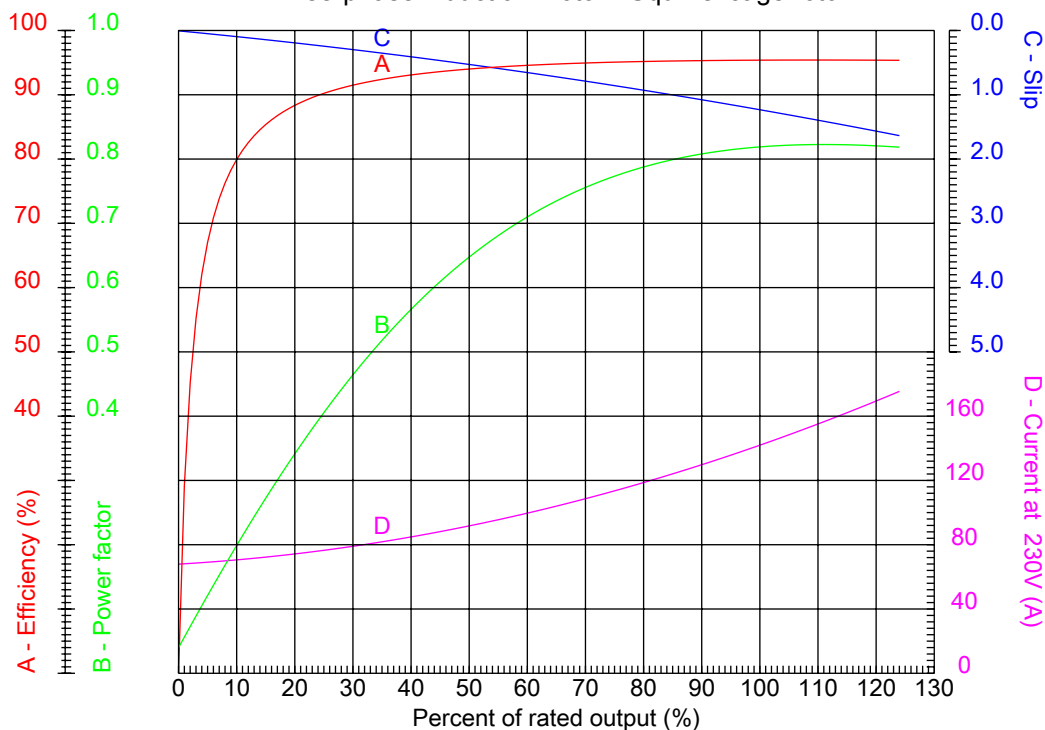
Dealers Industrial Equipment

No.:

Date: 27-SEP-2016

PERFORMANCE CURVES RELATED TO RATED OUTPUT

Three-phase induction motor - Squirrel cage rotor



Customer :
Product line : W22 Super Premium

| | |
|--------------------------------|--|
| Frame : 404/5T | Locked rotor current (I _l /I _n) : 7.9 |
| Output : 60 HP | Duty cycle : S1 |
| Frequency : 60 Hz | Service factor : 1.25 |
| Full load speed : 1185 rpm | Design : A |
| Voltage : 208-230/460 V | Locked rotor torque : 280 % |
| Rated current : 160-144/72.2 A | Breakdown torque : 320 % |
| Insulation class : F | |

Notes:
Downloaded from <http://dealerselectric.com>
Generated for Model #06012EG3E404T-W22

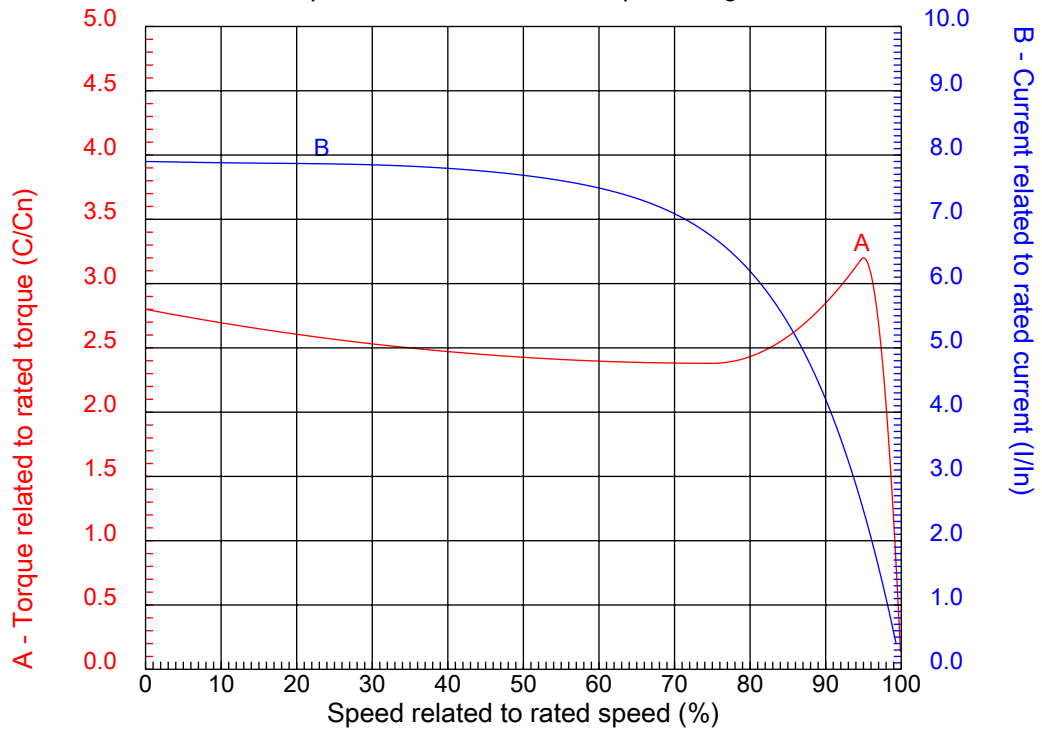
Performed by

Checked



CHARACTERISTIC CURVES RELATED TO SPEED

Three-phase induction motor - Squirrel cage rotor



Customer :
Product line : W22 Super Premium

| | | | |
|------------------|------------------|--|---------|
| Frame | : 404/5T | Locked rotor current (I _l /I _n) | : 7.9 |
| Output | : 60 HP | Duty cycle | : S1 |
| Frequency | : 60 Hz | Service factor | : 1.25 |
| Full load speed | : 1185 rpm | Design | : A |
| Voltage | : 208-230/460 V | Locked rotor torque | : 280 % |
| Rated current | : 160-144/72.2 A | Breakdown torque | : 320 % |
| Insulation class | : F | | |

Notes:
Downloaded from <http://dealerselectric.com>
Generated for Model #06012EG3E404T-W22

Performed by

Checked

1 2 3 4 5 6 7 8

A

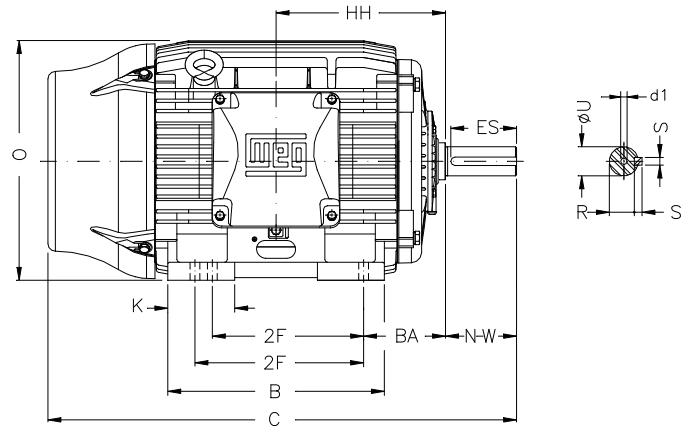
B

C

D

E

F



Notes: Downloaded from <http://dealerselectric.com>
Generated for Model #06012EG3E404T-W22

Performed by:

Checked:

Customer:

W22 Super Premium

Three-phase induction motor
Frame 404/5T - IP55

27-SEP-2016



| | | | | |
|---------------------|--------------|--------------|--------------------|---------------|
| 2E 15.984 | J 3.937 | A 19.921 | P 19.134 | AB 16.016 |
| 2F 12.244/13.740 | K 5.669 | B 18.386 | BA 6.625 | FBA 13.926 |
| U 2.875 | N-W 7.250 | ES 5.512 | S 0.750 | R 2.449 |
| depth 0.750 | D 10.000 | G 1.811 | HB 5.252 | O 19.566 |
| HH 13.496 | HK 6.024 | H 0.810 | C 39.730 | FC 45.295 |
| LL 10.591 | LM 11.267 | AA NPT 3" | d1 DUNC 3/4"-10 | |

1 2 3 4 5 6 7 8

A
B
C
D
E
F

LOW VOLTAGE

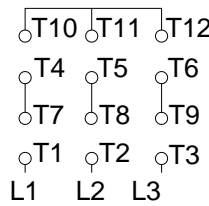
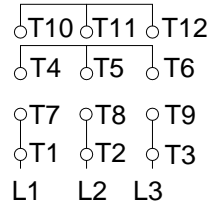
HIGH VOLTAGE



CONNECTIONS FOR STARTING ONLY:

LOW VOLTAGE

HIGH VOLTAGE



Notes: Downloaded from <http://dealerselectric.com>
Generated for Model #06012EG3E404T-W22

Performed by:

Checked:

Customer:

W22 Super Premium

Three-phase induction motor
Frame 404/5T - IP55

27-SEP-2016

