



Dealers Industrial Equipment

No.:

Date: 27-SEP-2016

Customer :

TECHNICAL PROPOSAL

Three-phase induction motor - Squirrel cage rotor

Product line : Three-Phase : Explosion Proof - High Efficiency

Catalog Number : 06009XP3E405T

List Price : \$16,985

Notes:

Downloaded from <http://dealerselectric.com>

Generated for Model #06009XP3E405T

Performed by:

Checked:



Dealers Industrial Equipment

No.:

Date: 27-SEP-2016

DATA SHEET Three-phase induction motor - Squirrel cage rotor

Customer :
 Product line : Three-Phase : Explosion Proof - High Efficiency

Frame : 405T
 Output : 60 HP
 Frequency : 60 Hz
 Poles : 8
 Full load speed : 885 rpm
 Slip : 1.67 %
 Voltage : 208-230/460 V
 Rated current : 170-154/77.0 A
 Locked rotor current : 893/447 A
 Locked rotor current (I_L/I_n) : 5.8
 No-load current : 64.0/32.0 A
 Full load torque : 351 lb.ft
 Locked rotor torque : 170 %
 Breakdown torque : 210 %
 Design : B
 Insulation class : F
 Temperature rise : 80 K
 Locked rotor time : 13 s (hot)
 Service factor : 1.15
 Duty cycle : S1
 Ambient temperature : -20°C - +40°C
 Altitude : 1000 m
 Degree of Protection : IP54
 Approximate weight : 1257 lb
 Moment of inertia : 36.859 sq.ft.lb
 Noise level : 62 dB(A)

	D.E.	N.D.E.
Bearings	6217 C3	6314 C3
Regreasing interval	16602 h	17353 h
Grease amount	21 g	27 g

Load	Power factor	Efficiency (%)
100%	0.80	91.7
75%	0.76	91.7
50%	0.70	91.0

Notes:
 Downloaded from <http://dealerselectric.com>
 Generated for Model #06009XP3E405T

Performed by

Checked



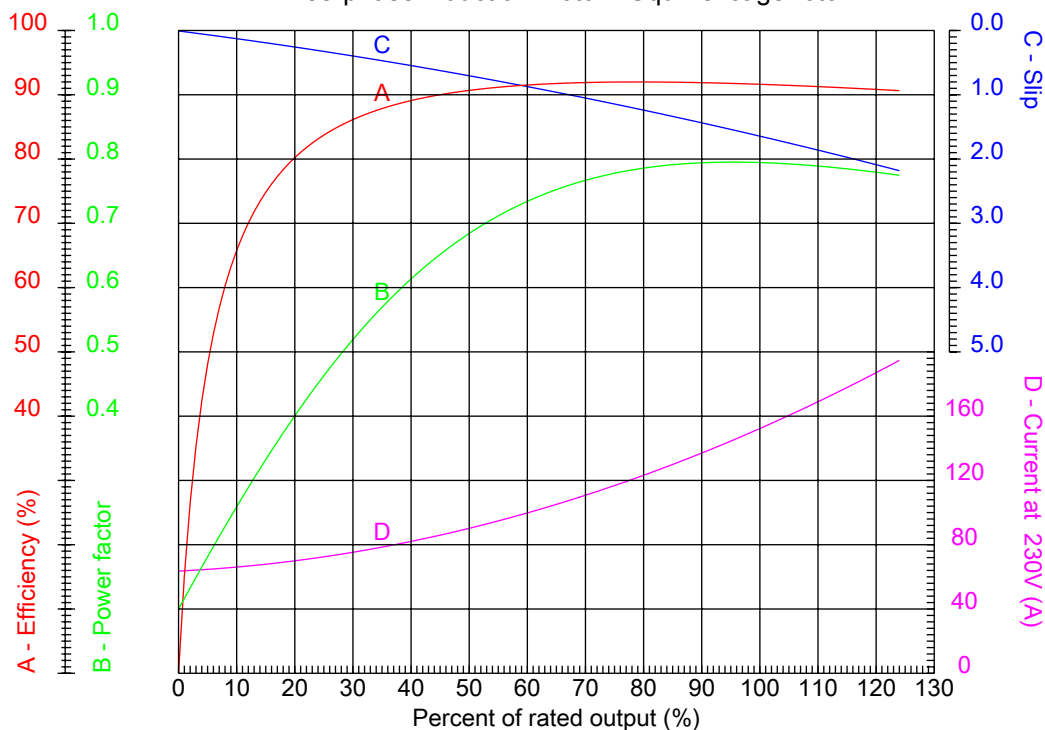
Dealers Industrial Equipment

No.:

Date: 27-SEP-2016

PERFORMANCE CURVES RELATED TO RATED OUTPUT

Three-phase induction motor - Squirrel cage rotor



Customer :
 Product line : Three-Phase : Explosion Proof - High Efficiency

Frame	: 405T	Locked rotor current (I _l /I _n)	: 5.8
Output	: 60 HP	Duty cycle	: S1
Frequency	: 60 Hz	Service factor	: 1.15
Full load speed	: 885 rpm	Design	: B
Voltage	: 208-230/460 V	Locked rotor torque	: 170 %
Rated current	: 170-154/77.0 A	Breakdown torque	: 210 %
Insulation class	: F		

Notes:
 Downloaded from <http://dealerselectric.com>
 Generated for Model #06009XP3E405T

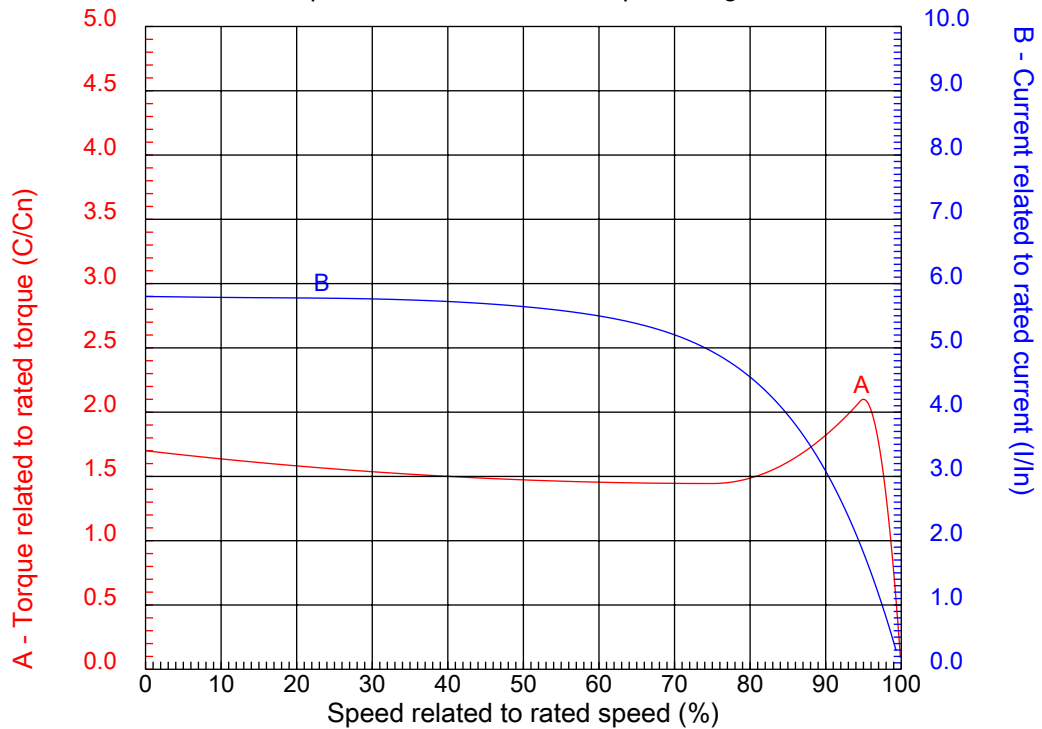
Performed by

Checked



CHARACTERISTIC CURVES RELATED TO SPEED

Three-phase induction motor - Squirrel cage rotor



Customer :
Product line : Three-Phase : Explosion Proof - High Efficiency

Frame	: 405T	Locked rotor current (I _l /I _n)	: 5.8
Output	: 60 HP	Duty cycle	: S1
Frequency	: 60 Hz	Service factor	: 1.15
Full load speed	: 885 rpm	Design	: B
Voltage	: 208-230/460 V	Locked rotor torque	: 170 %
Rated current	: 170-154/77.0 A	Breakdown torque	: 210 %
Insulation class	: F		

Notes:
Downloaded from <http://dealerselectric.com>
Generated for Model #06009XP3E405T

Performed by

Checked

1 2 3 4 5 6 7 8

A

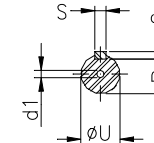
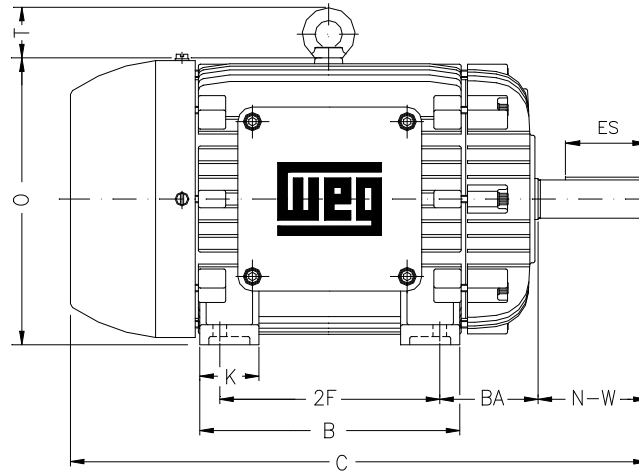
B

C

D

E

F



Notes: Downloaded from <http://dealerselectric.com>
Generated for Model #06009XP3E405T

Performed by:

Checked:

Customer:

Three-Phase : Explosion Proof - High Efficiency

Three-phase induction motor
Frame 405T - IP54

27-SEP-2016



2E 16.000	A 19.921	2F 12.250/13.752	B 17.520	BA 6.625
J 3.937	K 5.433	P 18.583	ES 5.512	depth 0.750
S 0.750	N-W 7.250	U 2.875	R 2.449	AB 16.654
D 10.000	G 1.812	O 19.843	H 0.807	C 38.074
AA NPT 3"	d1 DUNC 3/4"-10	d2 DUNC 3/4"-10	T 2.795	

1 2 3 4 5 6 7 8

A
B
C
D
E
F

LOW VOLTAGE

HIGH VOLTAGE



CONNECTIONS FOR STARTING ONLY:

LOW VOLTAGE

HIGH VOLTAGE



Notes: Downloaded from <http://dealerselectric.com>
Generated for Model #06009XP3E405T

Performed by:

Checked:

Customer:

Three-Phase : Explosion Proof - High Efficiency

Three-phase induction motor
Frame 405T - IP54

27-SEP-2016

