



Dealers Industrial Equipment

No.:

Date: 27-SEP-2016

Customer :

TECHNICAL PROPOSAL

Three-phase induction motor - Squirrel cage rotor

Product line : W22 High Efficiency

Catalog Number : 06009EP3E405T-W22

List Price : \$12,908

Notes:

Downloaded from <http://dealerselectric.com>

Generated for Model #06009EP3E405T-W22

Performed by:

Checked:



Dealers Industrial Equipment

No.:

Date: 27-SEP-2016

DATA SHEET Three-phase induction motor - Squirrel cage rotor

Customer :
Product line : W22 High Efficiency

Frame : 404/5T
Output : 60 HP
Frequency : 60 Hz
Poles : 8
Full load speed : 880 rpm
Slip : 2.22 %
Voltage : 230/460 V
Rated current : 148/74.2 A
Locked rotor current : 935/467 A
Locked rotor current (I_L/I_n) : 6.3
No-load current : 58.0/29.0 A
Full load torque : 353 lb.ft
Locked rotor torque : 180 %
Breakdown torque : 250 %
Design : B
Insulation class : F
Temperature rise : 80 K
Locked rotor time : 11 s (hot)
Service factor : 1.25
Duty cycle : S1
Ambient temperature : -20°C - +40°C
Altitude : 1000 m
Degree of Protection : IP55
Approximate weight : 1047 lb
Moment of inertia : 36.859 sq.ft.lb
Noise level : 60 dB(A)

	D.E.	N.D.E.
Bearings	6316 C3	6314 C3
Regreasing interval	20000 h	20000 h
Grease amount	34 g	27 g

Load	Power factor	Efficiency (%)
100%	0.83	91.7
75%	0.80	92.4
50%	0.70	91.7

Notes:
Downloaded from <http://dealerselectric.com>
Generated for Model #06009EP3E405T-W22

Performed by

Checked



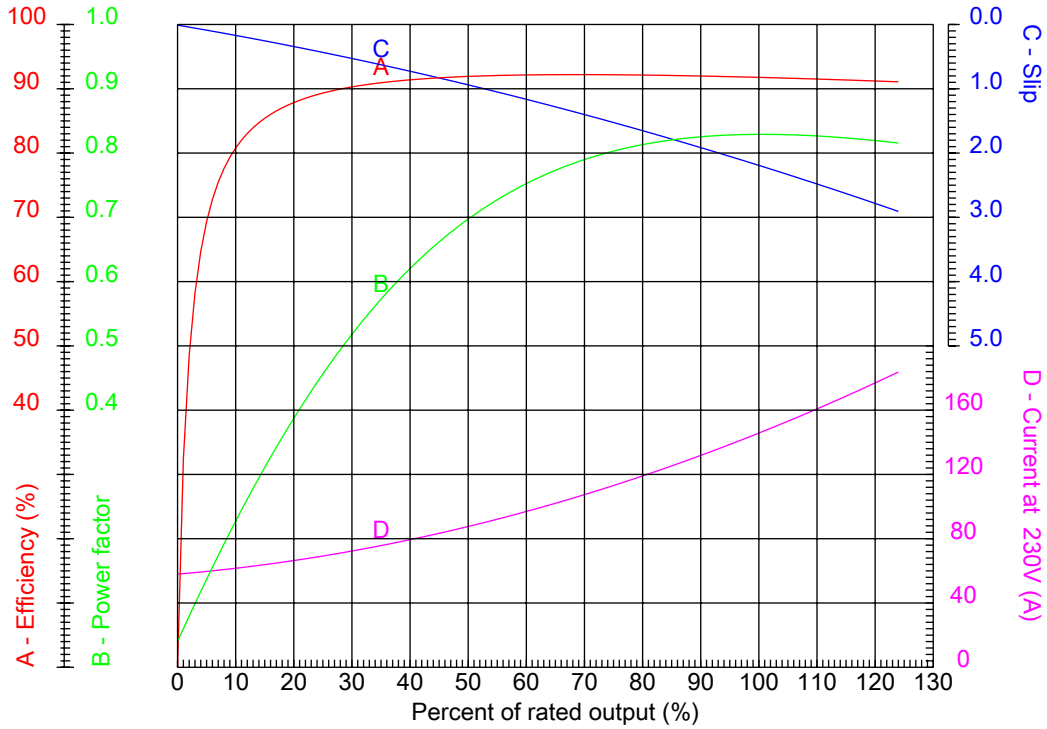
Dealers Industrial Equipment

No.:

Date: 27-SEP-2016

PERFORMANCE CURVES RELATED TO RATED OUTPUT

Three-phase induction motor - Squirrel cage rotor



Customer :
Product line : W22 High Efficiency

Frame : 404/5T	Locked rotor current (I _l /I _n) : 6.3
Output : 60 HP	Duty cycle : S1
Frequency : 60 Hz	Service factor : 1.25
Full load speed : 880 rpm	Design : B
Voltage : 230/460 V	Locked rotor torque : 180 %
Rated current : 148/74.2 A	Breakdown torque : 250 %
Insulation class : F	

Notes:
Downloaded from <http://dealerselectric.com>
Generated for Model #06009EP3E405T-W22

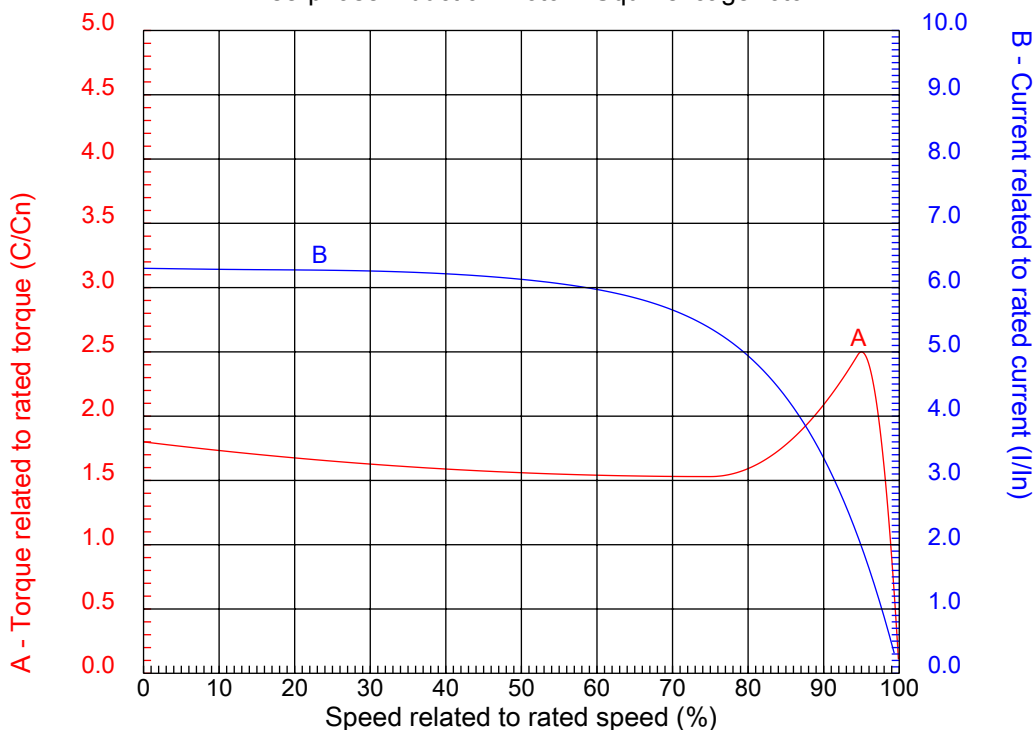
Performed by

Checked



CHARACTERISTIC CURVES RELATED TO SPEED

Three-phase induction motor - Squirrel cage rotor



Customer :
Product line : W22 High Efficiency

Frame	: 404/5T	Locked rotor current (I _l /I _n)	: 6.3
Output	: 60 HP	Duty cycle	: S1
Frequency	: 60 Hz	Service factor	: 1.25
Full load speed	: 880 rpm	Design	: B
Voltage	: 230/460 V	Locked rotor torque	: 180 %
Rated current	: 148/74.2 A	Breakdown torque	: 250 %
Insulation class	: F		

Notes:
Downloaded from <http://dealerselectric.com>
Generated for Model #06009EP3E405T-W22

Performed by

Checked

1 2 3 4 5 6 7 8

A

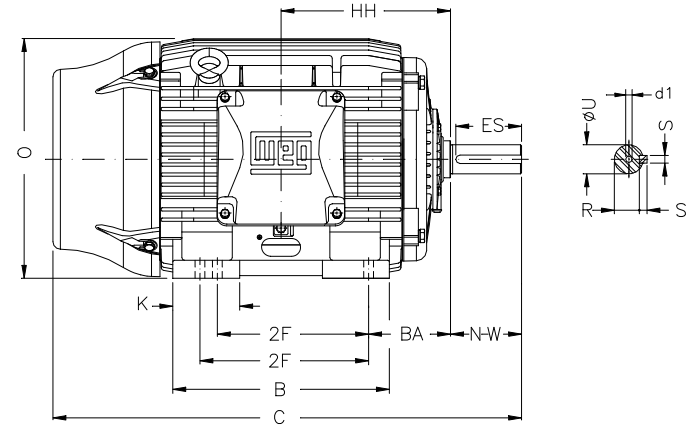
B

C

D

E

F



Notes: Downloaded from <http://dealerselectric.com>
Generated for Model #06009EP3E405T-W22

Performed by:

Checked:

Customer:

W22 High Efficiency

Three-phase induction motor
Frame 404/5T - IP55

27-SEP-2016



2E 15.984	J 3.937	A 19.921	P 19.134	AB 16.016
2F 12.244/13.740	K 5.669	B 18.386	BA 6.625	FBA 13.926
U 2.875	N-W 7.250	ES 5.512	S 0.750	R 2.449
depth 0.750	D 10.000	G 1.811	HB 5.252	O 19.566
HH 13.496	HK 6.024	H 0.810	C 39.730	FC 45.295
LL 10.591	LM 11.267	AA NPT 3"	d1 DUNC 3/4"-10	

1 2 3 4 5 6 7 8

A
B
C
D
E
F

LOW VOLTAGE

HIGH VOLTAGE



CONNECTIONS FOR STARTING ONLY:

LOW VOLTAGE

HIGH VOLTAGE



Notes: Downloaded from <http://dealerselectric.com>
Generated for Model #06009EP3E405T-W22

Performed by:

Checked:

Customer:

W22 High Efficiency

Three-phase induction motor
Frame 404/5T - IP55

27-SEP-2016

