



Dealers Industrial Equipment

No.:

Date: 27-SEP-2016

Customer :

TECHNICAL PROPOSAL

Three-phase induction motor - Squirrel cage rotor

Product line : Three-Phase: W22 IE3 IEC Tru-Metric - TEFC (IP55) Cast Iron Frame

Catalog Number : 05536ET3Y250S/M-W22

List Price : \$9,847

Notes:

Downloaded from <http://dealerselectric.com>

Generated for Model #05536ET3Y250S/M-W22

Performed by:

Checked:



# Dealers Industrial Equipment

No.:

Date: 27-SEP-2016

## DATA SHEET

### Three-phase induction motor - Squirrel cage rotor

Customer :  
 Product line : Three-Phase: W22 IE3 IEC Tru-Metric - TEFC (IP55) Cast Iron Frame

Frame : 250S/M  
 Output : 75 HP  
 Frequency : 60 Hz  
 Poles : 2  
 Full load speed : 3570 rpm  
 Slip : 0.83 %  
 Voltage : 460 V  
 Rated current : 80.3 A  
 Locked rotor current : 691 A  
 Locked rotor current (I<sub>L</sub>/I<sub>n</sub>) : 8.6  
 No-load current : 24.8 A  
 Full load torque : 109 lb.ft  
 Locked rotor torque : 290 %  
 Breakdown torque : 370 %  
 Design : ---  
 Insulation class : F  
 Temperature rise : 80 K  
 Locked rotor time : 28 s (hot)  
 Service factor : 1.25  
 Duty cycle : S1  
 Ambient temperature : -20°C - +40°C  
 Altitude : 1000 m  
 Degree of Protection : IP55  
 Approximate weight : 1069 lb  
 Moment of inertia : 11.599 sq.ft.lb  
 Noise level : 79 dB(A)

	D.E.	N.D.E.
Bearings	6314 C3	6314 C3
Regreasing interval	4000 h	4000 h
Grease amount	27 g	27 g

Load	Power factor	Efficiency (%)
100%	0.90	94.5
75%	0.87	94.5
50%	0.80	93.6

#### Notes:

Downloaded from <http://dealerselectric.com>  
 Generated for Model #05536ET3Y250S/M-W22

Performed by

Checked



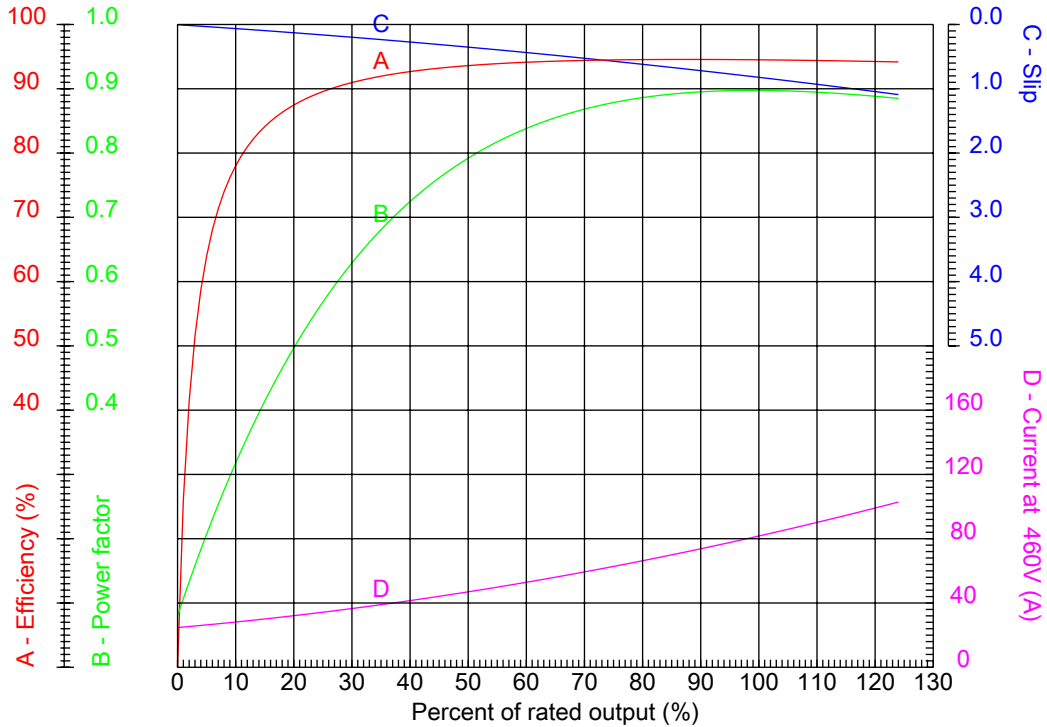
# Dealers Industrial Equipment

No.:

Date: 27-SEP-2016

## PERFORMANCE CURVES RELATED TO RATED OUTPUT

Three-phase induction motor - Squirrel cage rotor



Customer :  
 Product line : Three-Phase: W22 IE3 IEC Tru-Metric - TEFC (IP55) Cast Iron Frame

Frame	: 250S/M	Locked rotor current (I <sub>l</sub> /I <sub>n</sub> )	: 8.6
Output	: 75 HP	Duty cycle	: S1
Frequency	: 60 Hz	Service factor	: 1.25
Full load speed	: 3570 rpm	Design	: ---
Voltage	: 460 V	Locked rotor torque	: 290 %
Rated current	: 80.3 A	Breakdown torque	: 370 %
Insulation class	: F		

Notes:  
 Downloaded from <http://dealerselectric.com>  
 Generated for Model #05536ET3Y250S/M-W22

Performed by

Checked



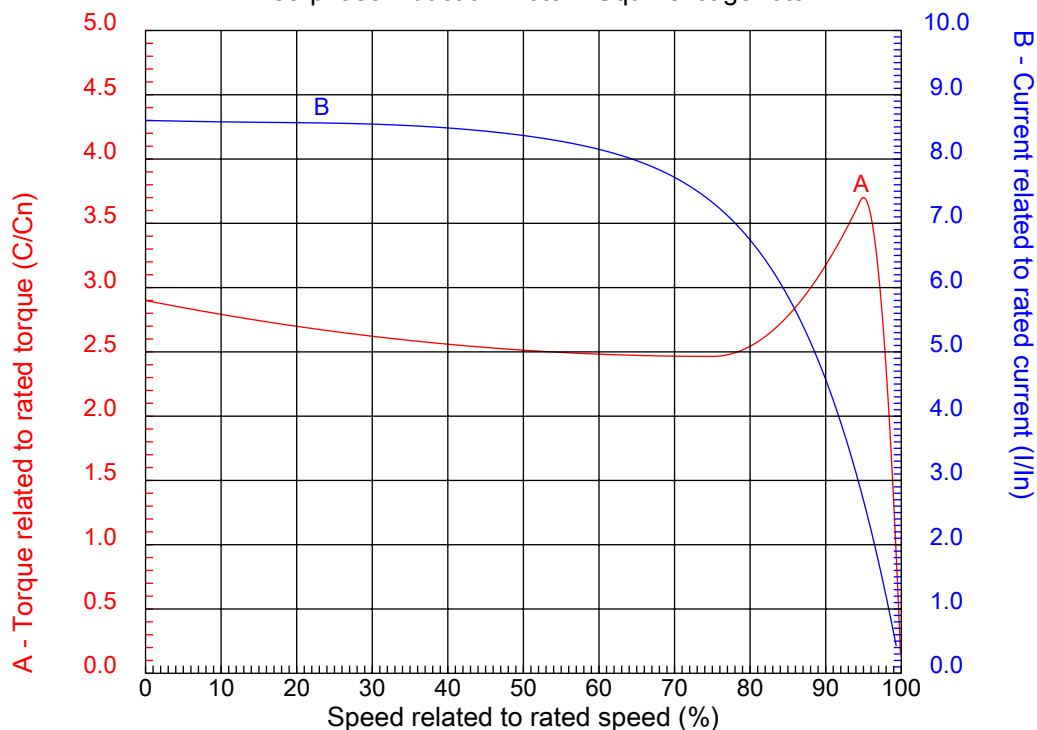
# Dealers Industrial Equipment

No.:

Date: 27-SEP-2016

## CHARACTERISTIC CURVES RELATED TO SPEED

Three-phase induction motor - Squirrel cage rotor



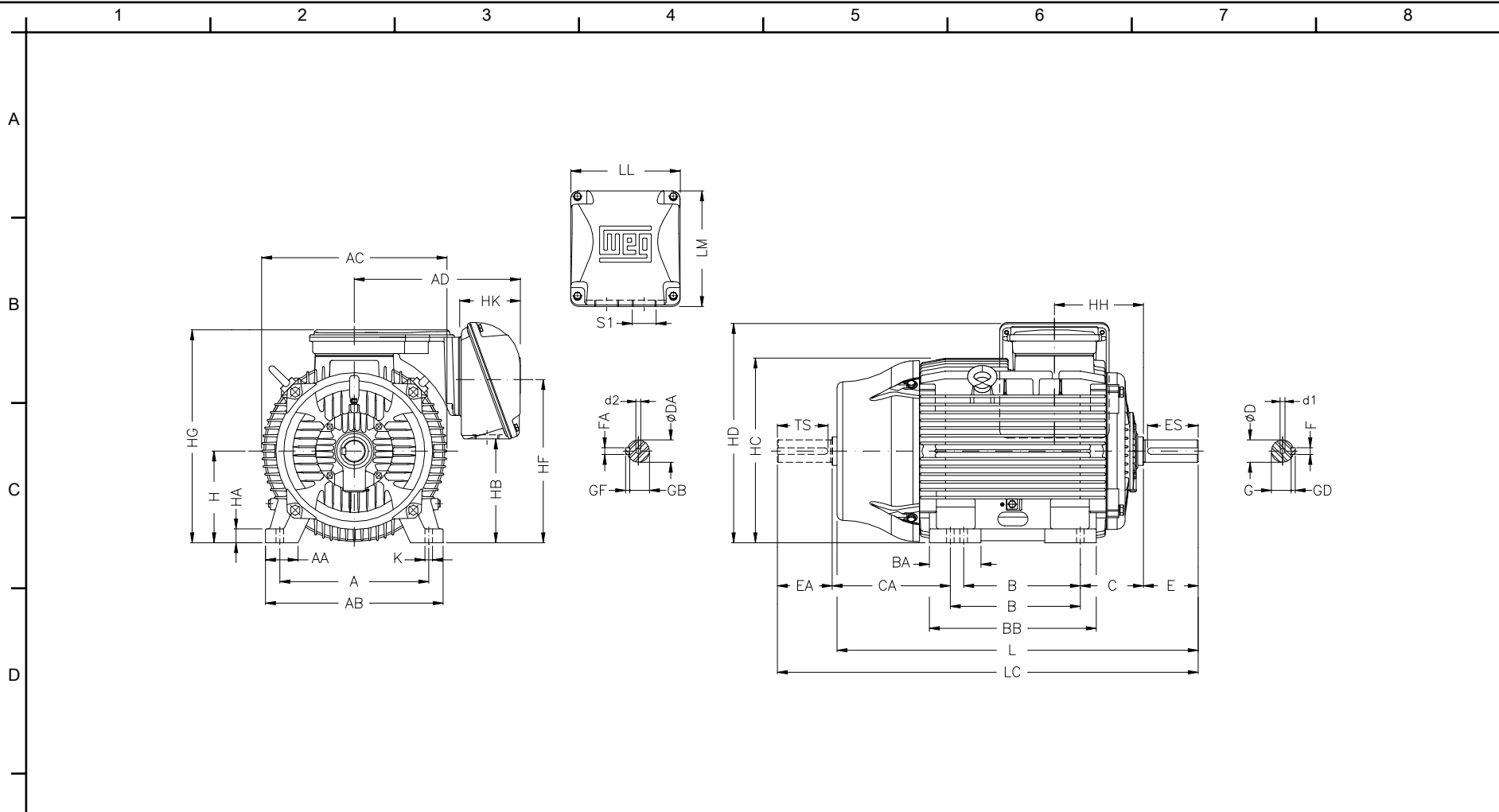
Customer :  
Product line : Three-Phase: W22 IE3 IEC Tru-Metric - TEFC (IP55) Cast Iron Frame

Frame	: 250S/M	Locked rotor current (I <sub>l</sub> /I <sub>n</sub> )	: 8.6
Output	: 75 HP	Duty cycle	: S1
Frequency	: 60 Hz	Service factor	: 1.25
Full load speed	: 3570 rpm	Design	: ---
Voltage	: 460 V	Locked rotor torque	: 290 %
Rated current	: 80.3 A	Breakdown torque	: 370 %
Insulation class	: F		

Notes:  
Downloaded from <http://dealerselectric.com>  
Generated for Model #05536ET3Y250S/M-W22

Performed by

Checked



Notes: Downloaded from <http://dealerselectric.com>  
 Generated for Model #05536ET3Y250S/M-W22

A	AA	AB	AC	AD
406	100	506	486	410
B	BA	BB	C	CA
311/349	146	467	168	354/316
D	E	ES	F	G
60m6	140	125	18	53
GD	DA	EA	TS	FA
11	60m6	140	125	18
GB	GF	H	HA	HC
53	11	250	43	493
HD	K	L	LC	S1
583	24	965	1113	2xM63x1,5
d1	d2			
DM20	DM20			

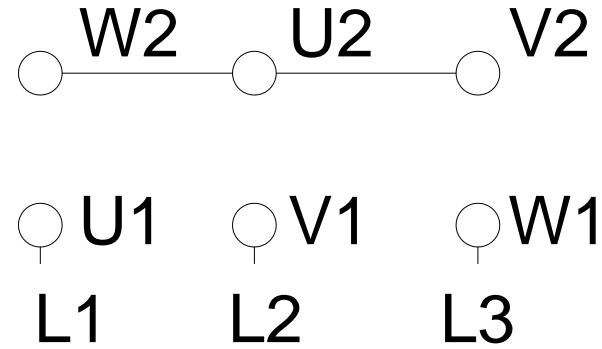
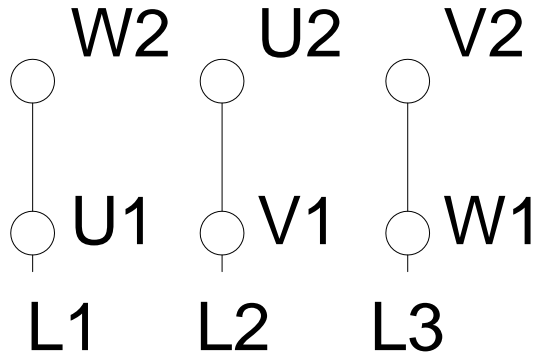
Performed by:  
 Checked:  
 Customer:  
 Three-Phase: W22 IE3 IEC Tru-Metric - TEFC (IP55) Cast Iron Frame  
 Three-phase induction motor  
 Frame 250S/M - IP55

27-SEP-2016



# LOW VOLTAGE

# HIGH VOLTAGE



Notes: Downloaded from <http://dealerselectric.com>  
Generated for Model #05536ET3Y250S/M-W22

Performed by:

Checked:

Customer:

Three-Phase: W22 IE3 IEC Tru-Metric - TEFC (IP55) Cast Iron Frame

Three-phase induction motor  
Frame 250S/M - IP55

27-SEP-2016

