



Dealers Industrial Equipment

No.:

Date: 27-SEP-2016

Customer :

TECHNICAL PROPOSAL

Three-phase induction motor - Squirrel cage rotor

Product line : Three-Phase: W22 IE3 IEC Tru-Metric - TEFC (IP55) Cast Iron Frame

Catalog Number : 05512ET3Y280S/M-W22

List Price : \$13,622

Notes:

Downloaded from <http://dealerselectric.com>

Generated for Model #05512ET3Y280S/M-W22

Performed by:

Checked:



# Dealers Industrial Equipment

No.:

Date: 27-SEP-2016

## DATA SHEET

### Three-phase induction motor - Squirrel cage rotor

Customer :  
 Product line : Three-Phase: W22 IE3 IEC Tru-Metric - TEFC (IP55) Cast Iron Frame

Frame : 280S/M  
 Output : 75 HP  
 Frequency : 60 Hz  
 Poles : 6  
 Full load speed : 1190 rpm  
 Slip : 0.83 %  
 Voltage : 460 V  
 Rated current : 90.2 A  
 Locked rotor current : 631 A  
 Locked rotor current (I<sub>L</sub>/I<sub>n</sub>) : 7.0  
 No-load current : 41.3 A  
 Full load torque : 327 lb.ft  
 Locked rotor torque : 260 %  
 Breakdown torque : 330 %  
 Design : ---  
 Insulation class : F  
 Temperature rise : 80 K  
 Locked rotor time : 46 s (hot)  
 Service factor : 1.25  
 Duty cycle : S1  
 Ambient temperature : -20°C - +40°C  
 Altitude : 1000 m  
 Degree of Protection : IP55  
 Approximate weight : 1594 lb  
 Moment of inertia : 77.110 sq.ft.lb  
 Noise level : 69 dB(A)

	D.E.	N.D.E.
Bearings	6316 C3	6316 C3
Regreasing interval	16000 h	16000 h
Grease amount	34 g	34 g

Load	Power factor	Efficiency (%)
100%	0.81	94.5
75%	0.75	94.5
50%	0.64	93.6

Notes:  
 Downloaded from <http://dealerselectric.com>  
 Generated for Model #05512ET3Y280S/M-W22

Performed by

Checked



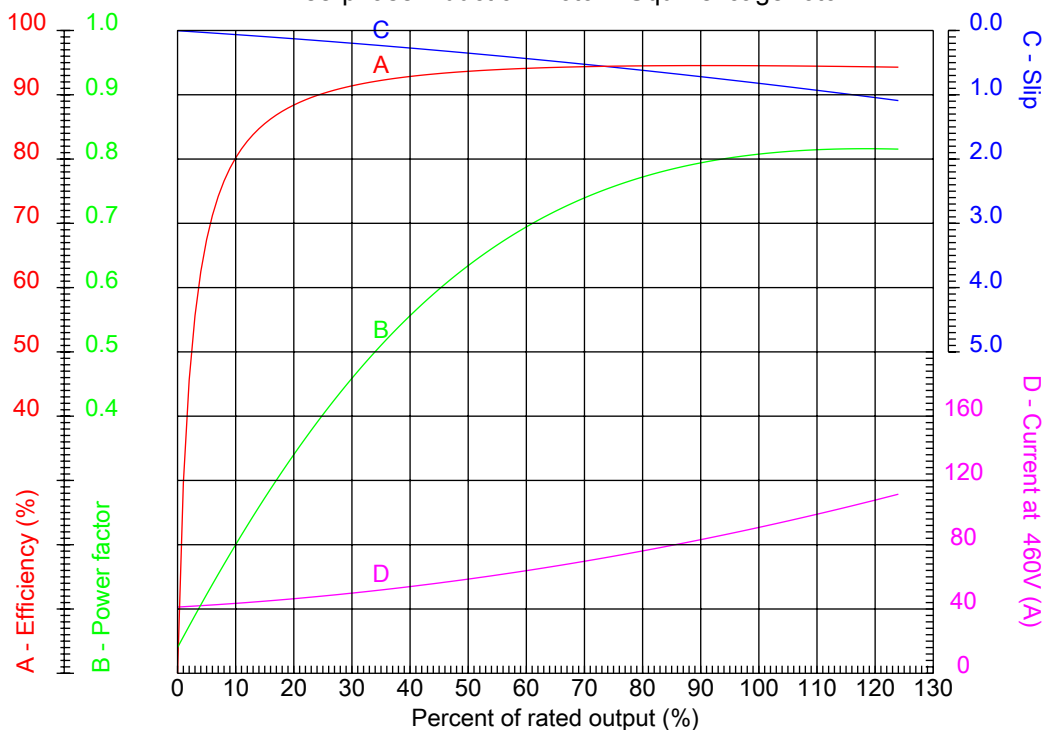
# Dealers Industrial Equipment

No.:

Date: 27-SEP-2016

## PERFORMANCE CURVES RELATED TO RATED OUTPUT

Three-phase induction motor - Squirrel cage rotor



Customer :  
 Product line : Three-Phase: W22 IE3 IEC Tru-Metric - TEFC (IP55) Cast Iron Frame

Frame	: 280S/M	Locked rotor current (I <sub>l</sub> /I <sub>n</sub> )	: 7.0
Output	: 75 HP	Duty cycle	: S1
Frequency	: 60 Hz	Service factor	: 1.25
Full load speed	: 1190 rpm	Design	: ---
Voltage	: 460 V	Locked rotor torque	: 260 %
Rated current	: 90.2 A	Breakdown torque	: 330 %
Insulation class	: F		

Notes:  
 Downloaded from <http://dealerselectric.com>  
 Generated for Model #05512ET3Y280S/M-W22

Performed by

Checked



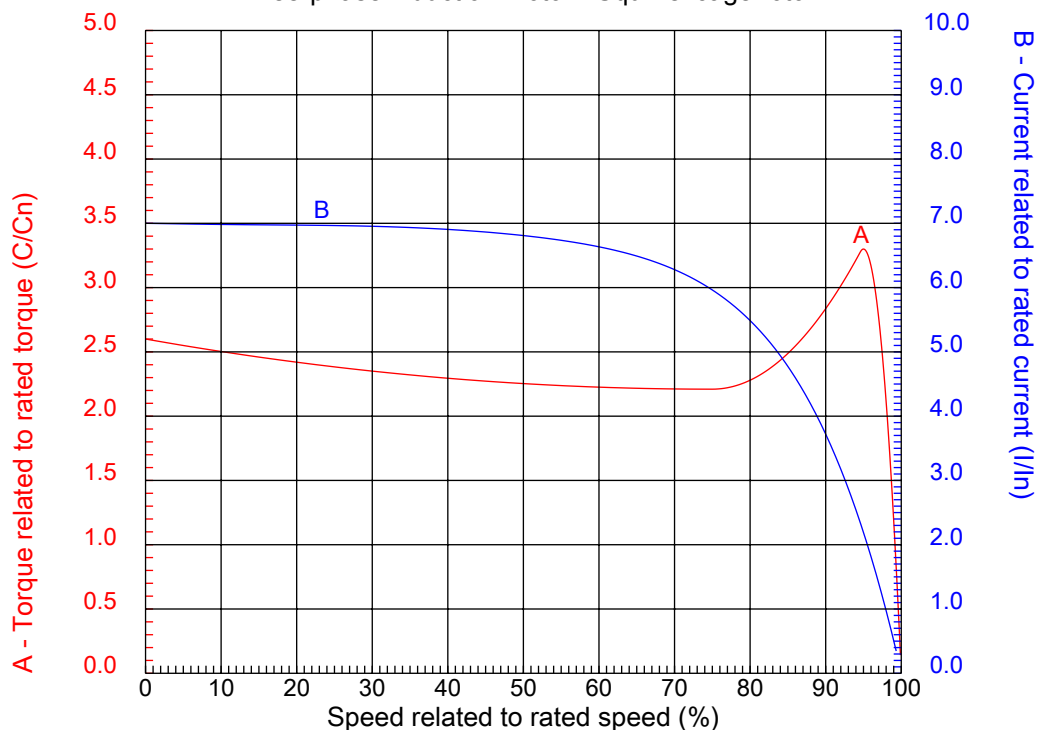
# Dealers Industrial Equipment

No.:

Date: 27-SEP-2016

## CHARACTERISTIC CURVES RELATED TO SPEED

Three-phase induction motor - Squirrel cage rotor



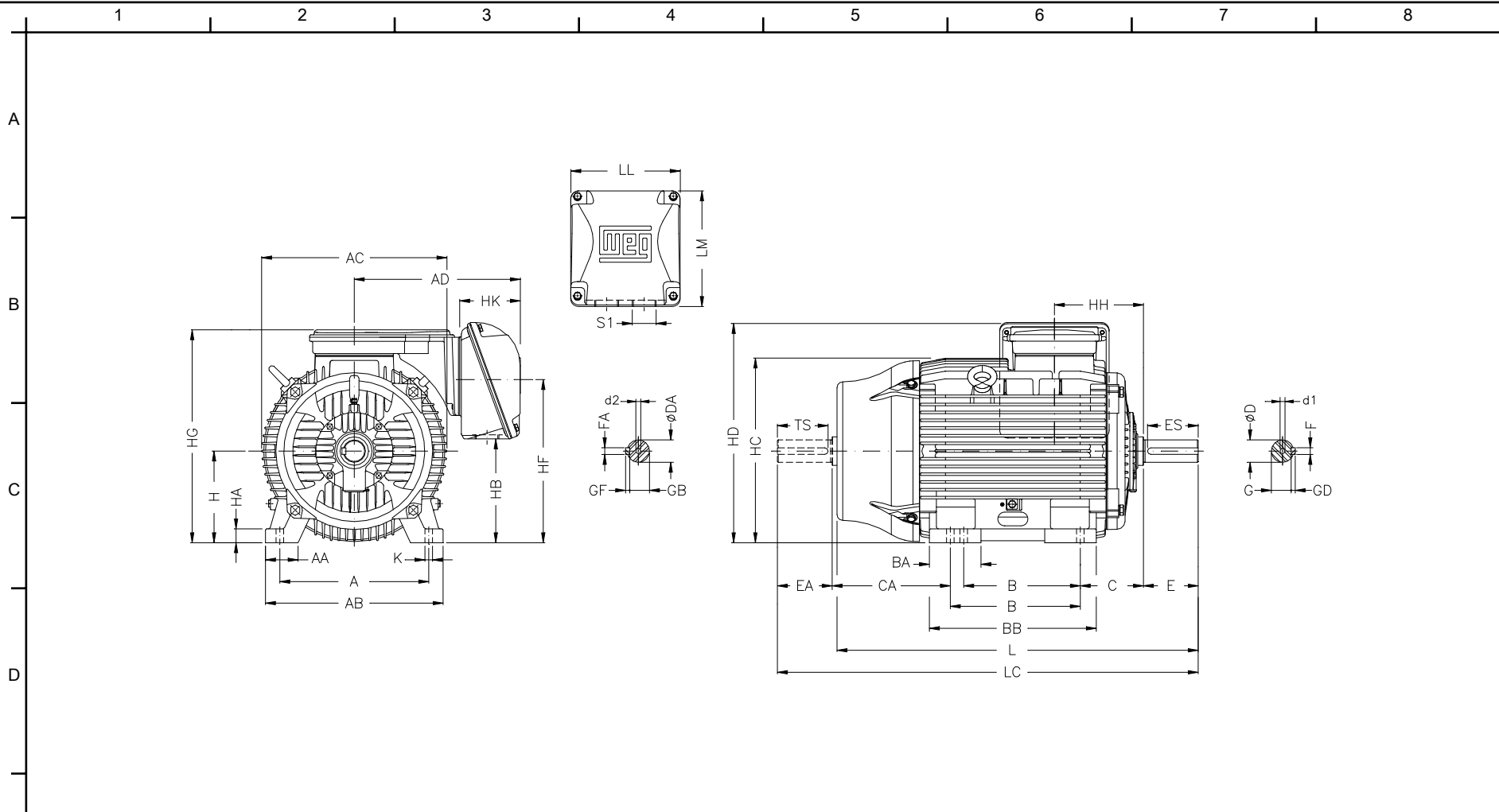
Customer :  
Product line : Three-Phase: W22 IE3 IEC Tru-Metric - TEFC (IP55) Cast Iron Frame

Frame	: 280S/M	Locked rotor current (I <sub>l</sub> /I <sub>n</sub> )	: 7.0
Output	: 75 HP	Duty cycle	: S1
Frequency	: 60 Hz	Service factor	: 1.25
Full load speed	: 1190 rpm	Design	: ---
Voltage	: 460 V	Locked rotor torque	: 260 %
Rated current	: 90.2 A	Breakdown torque	: 330 %
Insulation class	: F		

Notes:  
Downloaded from <http://dealerselectric.com>  
Generated for Model #05512ET3Y280S/M-W22

Performed by

Checked



Notes: Downloaded from <http://dealerselectric.com>  
 Generated for Model #05512ET3Y280S/M-W22

A	AA	AB	AC	AD
457	100	557	599	445
B	BA	BB	C	CA
368/419	151	517	190	385/334
D	E	ES	F	G
75m6	140	125	20	67.5
GD	DA	EA	TS	FA
12	65m6	140	125	18
GB	GF	H	HA	HC
58	11	280	42	580
HD	K	L	LC	S1
700	24	1071	1223	2xM63x1,5
d1	d2			
DM20	DM20			

Performed by:  
 Checked:  
 Customer:

Three-Phase: W22 IE3 IEC Tru-Metric - TEFC (IP55) Cast Iron Frame

Three-phase induction motor Frame 280S/M - IP55	27-SEP-2016	
--	-------------	--