



# Dealers Industrial Equipment

No.:

Date: 27-SEP-2016

Customer :

## TECHNICAL PROPOSAL

### Three-phase induction motor - Squirrel cage rotor

Product line : ODP – Open Induction Motors – NEMA Premium Efficiency

Catalog Number : 05036OT3H324TS

List Price : \$3,820

#### Notes:

Downloaded from <http://dealerselectric.com>

Generated for Model #05036OT3H324TS

Performed by:

Checked:



# Dealers Industrial Equipment

No.:

Date: 27-SEP-2016

## DATA SHEET

### Three-phase induction motor - Squirrel cage rotor

Customer :  
 Product line : ODP – Open Induction Motors – NEMA Premium Efficiency

Frame : 324TS  
 Output : 50 HP  
 Frequency : 60 Hz  
 Poles : 2  
 Full load speed : 3555 rpm  
 Slip : 1.25 %  
 Voltage : 575 V  
 Rated current : 47.3 A  
 Locked rotor current : 303 A  
 Locked rotor current (I<sub>L</sub>/I<sub>n</sub>) : 6.4  
 No-load current : 13.6 A  
 Full load torque : 72.9 lb.ft  
 Locked rotor torque : 220 %  
 Breakdown torque : 260 %  
 Design : B  
 Insulation class : F  
 Temperature rise : 80 K  
 Locked rotor time : 28 s (hot)  
 Service factor : 1.15  
 Duty cycle : S1  
 Ambient temperature : -20°C - +40°C  
 Altitude : 1000 m  
 Degree of Protection : IP23  
 Approximate weight : 532 lb  
 Moment of inertia : 3.8312 sq.ft.lb  
 Noise level : 74 dB(A)

	D.E.	N.D.E.
Bearings	6312 Z-C3	6212 Z-C3
Regreasing interval	19658 h	20000 h
Grease amount	21 g	13 g

Load	Power factor	Efficiency (%)
100%	0.84	93.6
75%	0.82	93.6
50%	0.74	92.4

Notes:  
 Downloaded from <http://dealerselectric.com>  
 Generated for Model #05036OT3H324TS

Performed by

Checked



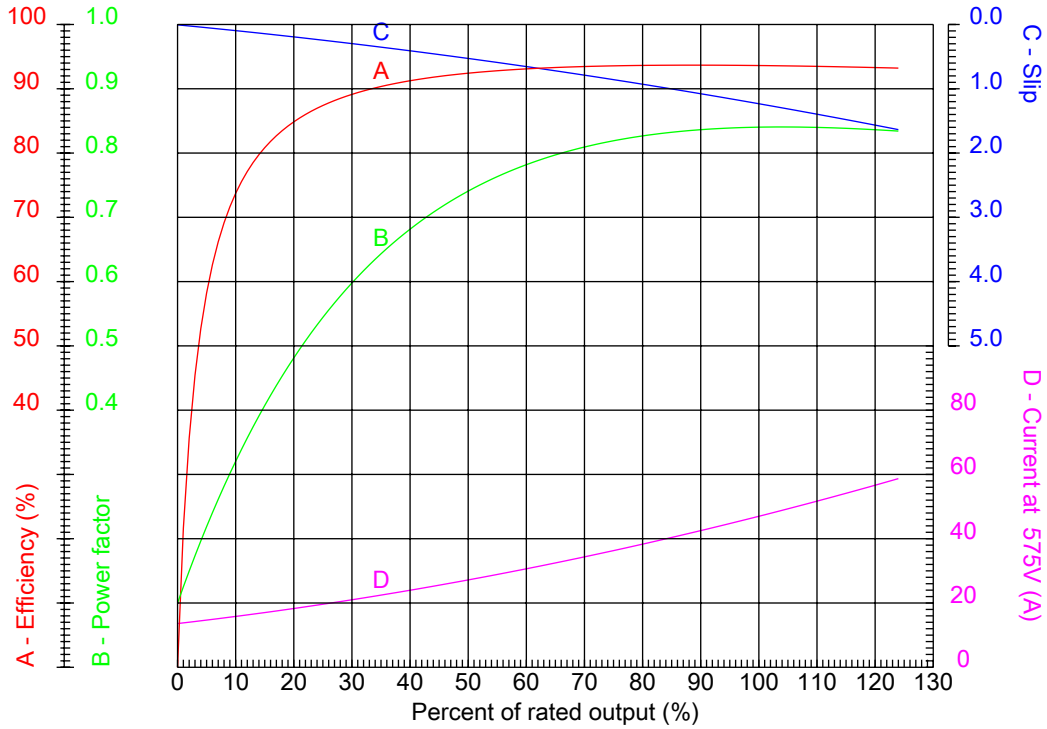
# Dealers Industrial Equipment

No.:

Date: 27-SEP-2016

## PERFORMANCE CURVES RELATED TO RATED OUTPUT

Three-phase induction motor - Squirrel cage rotor



Customer :  
 Product line : ODP – Open Induction Motors – NEMA Premium Efficiency

Frame	: 324TS	Locked rotor current (I <sub>L</sub> /I <sub>n</sub> )	: 6.4
Output	: 50 HP	Duty cycle	: S1
Frequency	: 60 Hz	Service factor	: 1.15
Full load speed	: 3555 rpm	Design	: B
Voltage	: 575 V	Locked rotor torque	: 220 %
Rated current	: 47.3 A	Breakdown torque	: 260 %
Insulation class	: F		

Notes:  
 Downloaded from <http://dealerselectric.com>  
 Generated for Model #05036OT3H324TS

Performed by

Checked



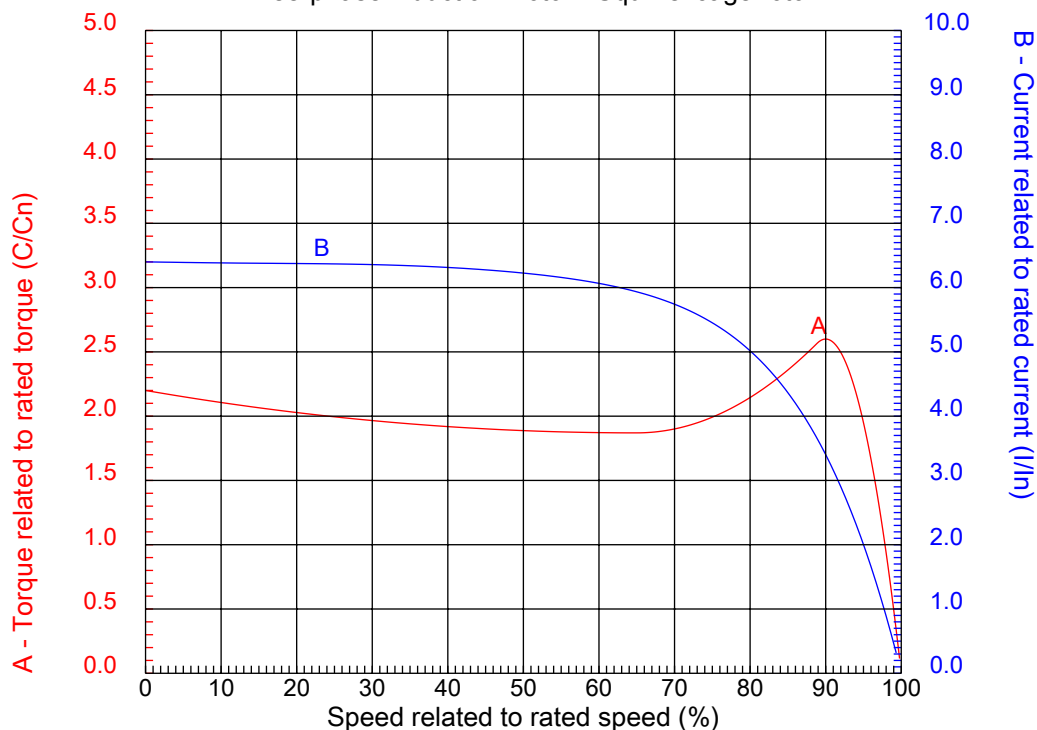
# Dealers Industrial Equipment

No.:

Date: 27-SEP-2016

## CHARACTERISTIC CURVES RELATED TO SPEED

Three-phase induction motor - Squirrel cage rotor



Customer :  
Product line : ODP – Open Induction Motors – NEMA Premium Efficiency

Frame	: 324TS	Locked rotor current (I <sub>l</sub> /I <sub>n</sub> )	: 6.4
Output	: 50 HP	Duty cycle	: S1
Frequency	: 60 Hz	Service factor	: 1.15
Full load speed	: 3555 rpm	Design	: B
Voltage	: 575 V	Locked rotor torque	: 220 %
Rated current	: 47.3 A	Breakdown torque	: 260 %
Insulation class	: F		

Notes:  
Downloaded from <http://dealerselectric.com>  
Generated for Model #05036OT3H324TS

Performed by

Checked

1 2 3 4 5 6 7 8

A

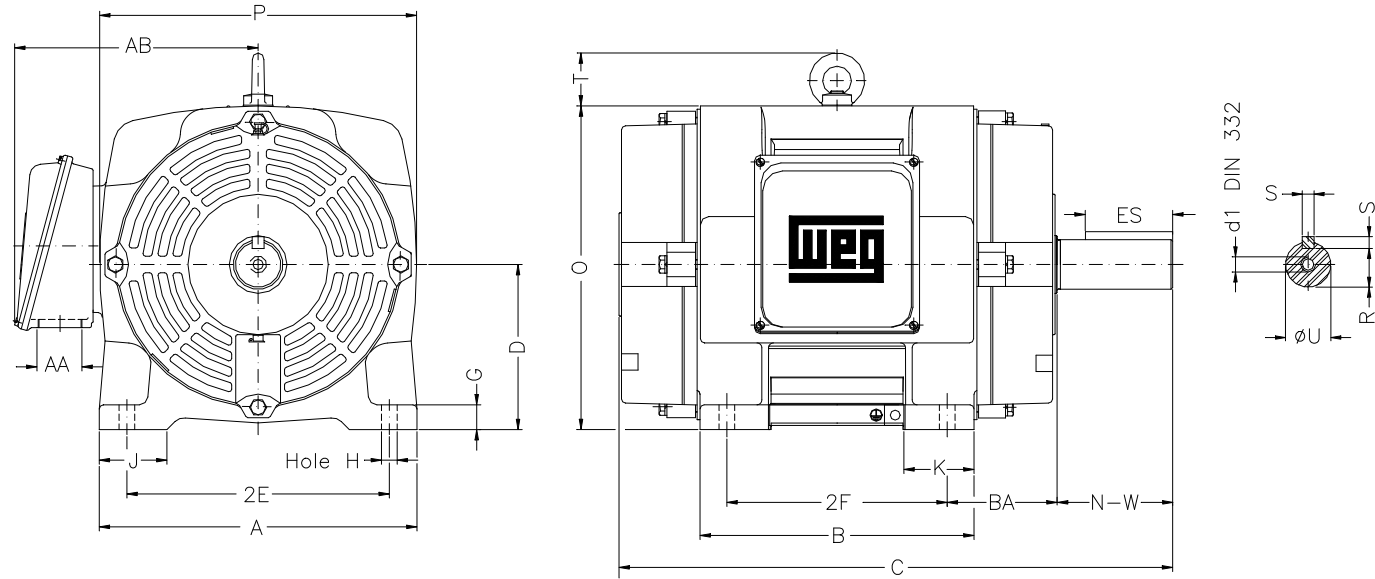
B

C

D

E

F



Notes: Downloaded from <http://dealerselectric.com>  
Generated for Model #05036OT3H324TS

Performed by:

Checked:

Customer:

ODP – Open Induction Motors – NEMA Premium Efficiency

Three-phase induction motor  
Frame 324TS - IP23

27-SEP-2016



2E 12.500	J 3.230	A 15.160	P 15.118	AB 11.496
2F 10.500	K 3.350	B 13.070	BA 5.250	U 1.875
d1 A 4	N-W 3.750	ES 2.756	S 0.500	R 1.594
depth 0.500	D 8.000	G 1.299	O 15.551	T 2.559
H 0.656	C 24.685	AA NPT 2"		

1 2 3 4 5 6 7 8

A  
B  
C  
D  
E  
F

### RUN



### ONLY FOR START



Notes: Downloaded from <a href="http://dealerselectric.com">http://dealerselectric.com</a> Generated for Model #05036OT3H324TS		
Performed by:		
Checked:		
Customer:		
ODP – Open Induction Motors – NEMA Premium Efficiency		
Three-phase induction motor Frame 324TS - IP23	27-SEP-2016	