



Dealers Industrial Equipment

No.:

Date: 24-SEP-2016

Customer :

TECHNICAL PROPOSAL

Three-phase induction motor - Squirrel cage rotor

Product line : Fire Pump Motors - ODP Three Phase - Foot Mount and Flange Mount

Catalog Number : 05036OP3HFP324TS

List Price : \$3,184

Notes:

Downloaded from <http://dealerselectric.com>

Generated for Model #05036OP3HFP324TS

Performed by:

Checked:



Dealers Industrial Equipment

No.:

Date: 24-SEP-2016

DATA SHEET Three-phase induction motor - Squirrel cage rotor

Customer :
 Product line : Fire Pump Motors - ODP Three Phase - Foot Mount and Flange Mount

Frame : 324TS
 Output : 50 HP
 Frequency : 60 Hz
 Poles : 2
 Full load speed : 3560 rpm
 Slip : 1.11 %
 Voltage : 575 V
 Rated current : 46.7 A
 Locked rotor current : 290 A
 Locked rotor current (I_L/I_n) : 6.2
 No-load current : 15.6 A
 Full load torque : 72.8 lb.ft
 Locked rotor torque : 220 %
 Breakdown torque : 240 %
 Design : B
 Insulation class : F
 Temperature rise : 80 K
 Locked rotor time : 28 s (hot)
 Service factor : 1.15
 Duty cycle : S1
 Ambient temperature : -20°C - +40°C
 Altitude : 1000 m
 Degree of Protection : IP23
 Approximate weight : 518 lb
 Moment of inertia : 3.2985 sq.ft.lb
 Noise level : 74 dB(A)

	D.E.	N.D.E.
Bearings	6312 Z-C3	6212 Z-C3
Regreasing interval	19658 h	20000 h
Grease amount	21 g	13 g

Load	Power factor	Efficiency (%)
100%	0.86	92.4
75%	0.83	92.4
50%	0.75	91.0

Notes:
 Downloaded from <http://dealerselectric.com>
 Generated for Model #05036OP3HFP324TS

Performed by

Checked



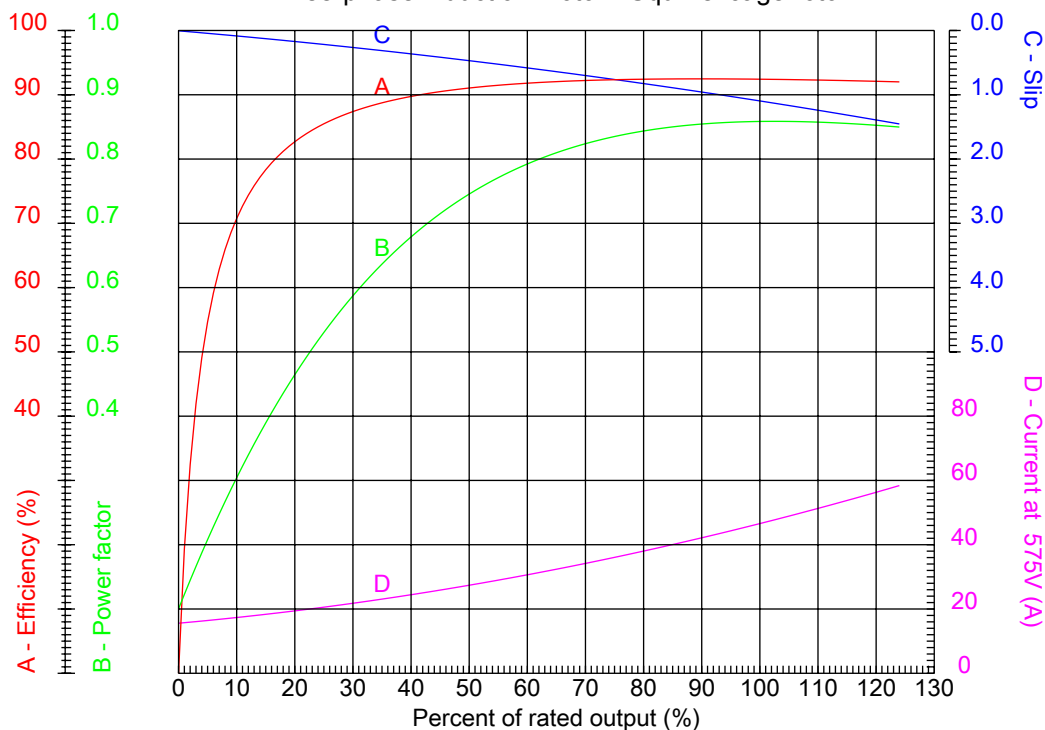
Dealers Industrial Equipment

No.:

Date: 24-SEP-2016

PERFORMANCE CURVES RELATED TO RATED OUTPUT

Three-phase induction motor - Squirrel cage rotor



Customer :
Product line : Fire Pump Motors - ODP Three Phase - Foot Mount and Flange Mount

Frame : 324TS	Locked rotor current (I _l /I _n) : 6.2
Output : 50 HP	Duty cycle : S1
Frequency : 60 Hz	Service factor : 1.15
Full load speed : 3560 rpm	Design : B
Voltage : 575 V	Locked rotor torque : 220 %
Rated current : 46.7 A	Breakdown torque : 240 %
Insulation class : F	

Notes:
Downloaded from <http://dealerselectric.com>
Generated for Model #05036OP3HFP324TS

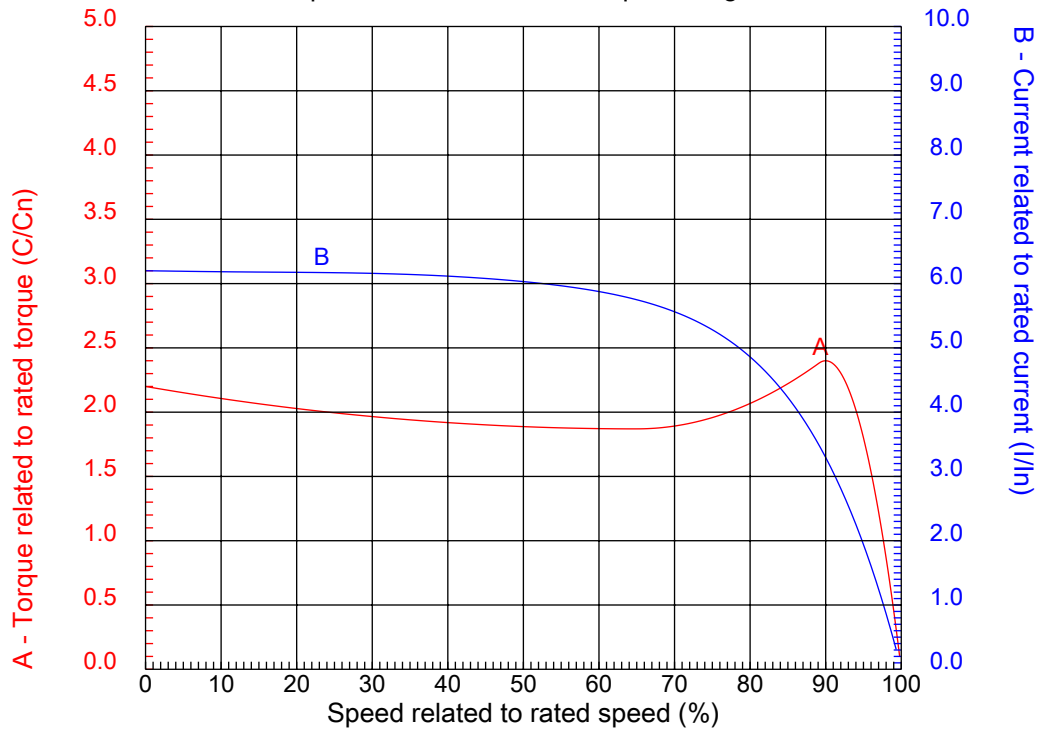
Performed by

Checked



CHARACTERISTIC CURVES RELATED TO SPEED

Three-phase induction motor - Squirrel cage rotor



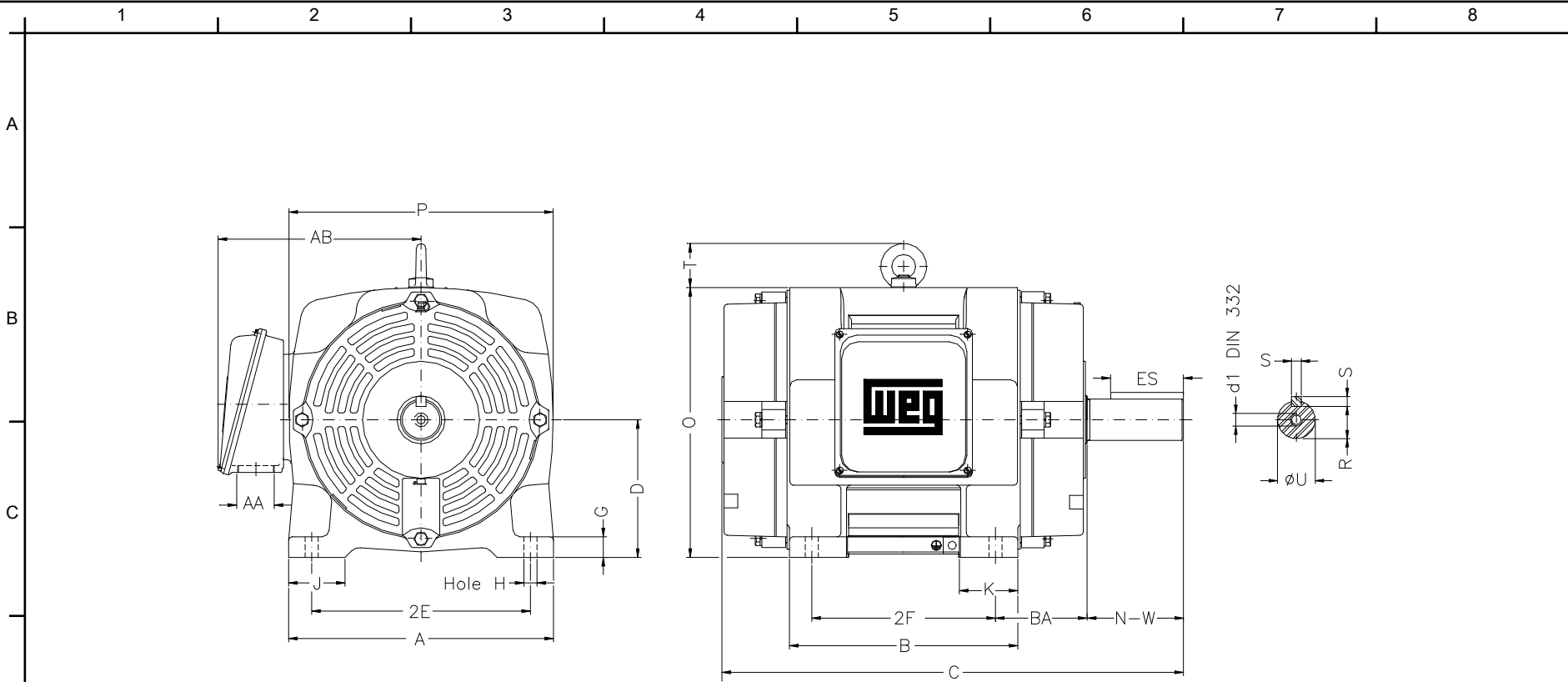
Customer :
Product line : Fire Pump Motors - ODP Three Phase - Foot Mount and Flange Mount

Frame	: 324TS	Locked rotor current (I _l /I _n)	: 6.2
Output	: 50 HP	Duty cycle	: S1
Frequency	: 60 Hz	Service factor	: 1.15
Full load speed	: 3560 rpm	Design	: B
Voltage	: 575 V	Locked rotor torque	: 220 %
Rated current	: 46.7 A	Breakdown torque	: 240 %
Insulation class	: F		

Notes:
Downloaded from <http://dealerselectric.com>
Generated for Model #05036OP3HFP324TS

Performed by

Checked



Notes: Downloaded from <http://dealerselectric.com>
 Generated for Model #05036OP3HFP324TS

Performed by:

Checked:

Customer:

Fire Pump Motors - ODP Three Phase - Foot Mount and Flange Mount

Three-phase induction motor
 Frame 324TS - IP23

24-SEP-2016



2E 12.500	A 15.160	2F 10.500	B 13.070	BA 5.250
J 3.230	K 3.350	P 15.118	ES 2.756	depth 0.500
S 0.500	D 8.000	N-W 3.750	G 1.299	U 1.875
O 15.551	T 2.559	R 1.594	H 0.656	AB 11.496
C 24.685	AA NPT 2"	d1 A 4		

1 2 3 4 5 6 7 8

A

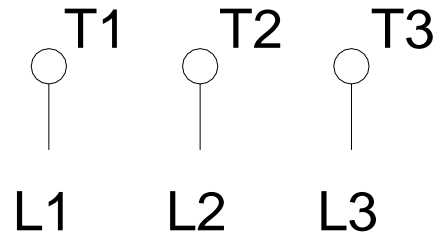
B

C

D

E

F



Notes: Downloaded from <http://dealerselectric.com>
Generated for Model #05036OP3HFP324TS

Performed by:

Checked:

Customer:

Fire Pump Motors - ODP Three Phase - Foot Mount and Flange Mount

Three-phase induction motor
Frame 324TS - IP23

24-SEP-2016

