



Dealers Industrial Equipment

No.:

Date: 24-SEP-2016

Customer :

TECHNICAL PROPOSAL

Three-phase induction motor - Squirrel cage rotor

Product line : Close Coupled Pump : Three-Phase - "JM" Type - ODP - High Efficiency

Catalog Number : 05036OP3H324JMV

List Price : \$4,394

Notes:

Downloaded from <http://dealerselectric.com>

Generated for Model #05036OP3H324JMV

Performed by:

Checked:



# Dealers Industrial Equipment

No.:

Date: 24-SEP-2016

## DATA SHEET Three-phase induction motor - Squirrel cage rotor

Customer :  
 Product line : Close Coupled Pump : Three-Phase - "JM" Type - ODP - High Efficiency

Frame : 324JM  
 Output : 50 HP  
 Frequency : 60 Hz  
 Poles : 2  
 Full load speed : 3560 rpm  
 Slip : 1.11 %  
 Voltage : 575 V  
 Rated current : 46.7 A  
 Locked rotor current : 290 A  
 Locked rotor current (I<sub>L</sub>/I<sub>n</sub>) : 6.2  
 No-load current : 15.6 A  
 Full load torque : 72.8 lb.ft  
 Locked rotor torque : 220 %  
 Breakdown torque : 240 %  
 Design : B  
 Insulation class : F  
 Temperature rise : 80 K  
 Locked rotor time : 28 s (hot)  
 Service factor : 1.15  
 Duty cycle : S1  
 Ambient temperature : -20°C - +40°C  
 Altitude : 1000 m  
 Degree of Protection : IP23  
 Approximate weight : 478 lb  
 Moment of inertia : 3.2985 sq.ft.lb  
 Noise level : 74 dB(A)

	D.E.	N.D.E.
Bearings	6312 Z-C3	6212 Z-C3
Regreasing interval	9829 h	10000 h
Grease amount	21 g	13 g

Load	Power factor	Efficiency (%)
100%	0.86	92.4
75%	0.83	92.4
50%	0.75	91.0

Notes:  
 Downloaded from <http://dealerselectric.com>  
 Generated for Model #05036OP3H324JMV

Performed by

Checked



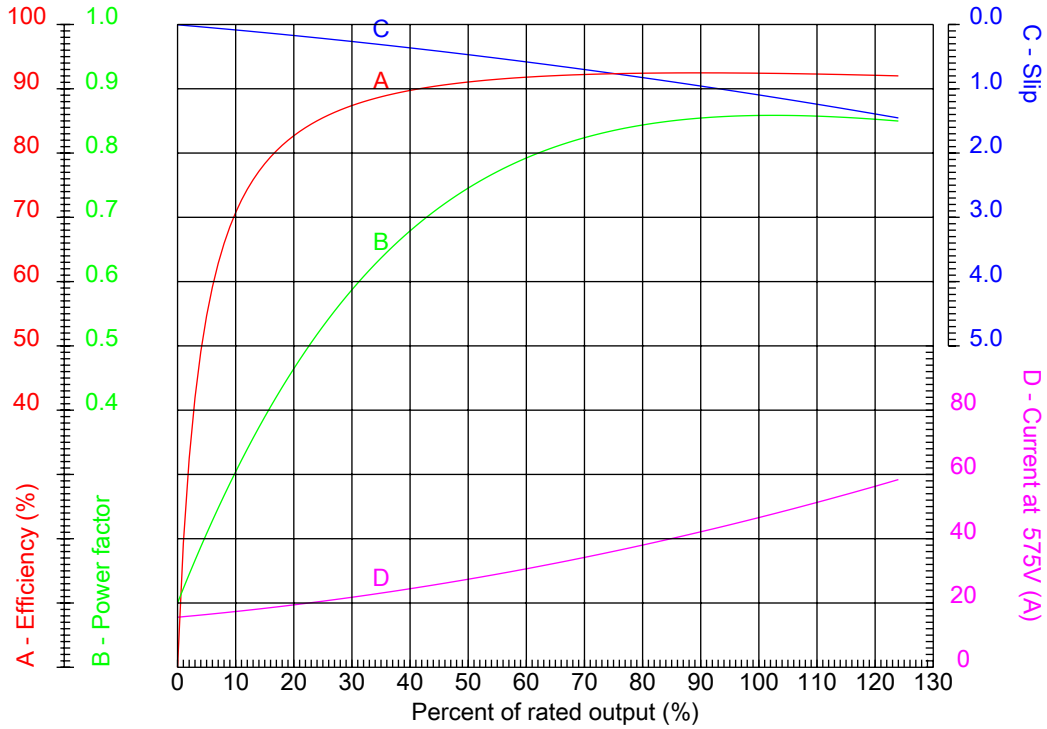
# Dealers Industrial Equipment

No.:

Date: 24-SEP-2016

## PERFORMANCE CURVES RELATED TO RATED OUTPUT

Three-phase induction motor - Squirrel cage rotor



Customer :  
 Product line : Close Coupled Pump : Three-Phase - "JM" Type - ODP - High Efficiency

Frame	: 324JM	Locked rotor current (I <sub>l</sub> /I <sub>n</sub> )	: 6.2
Output	: 50 HP	Duty cycle	: S1
Frequency	: 60 Hz	Service factor	: 1.15
Full load speed	: 3560 rpm	Design	: B
Voltage	: 575 V	Locked rotor torque	: 220 %
Rated current	: 46.7 A	Breakdown torque	: 240 %
Insulation class	: F		

Notes:  
 Downloaded from <http://dealerselectric.com>  
 Generated for Model #05036OP3H324JMV

Performed by

Checked



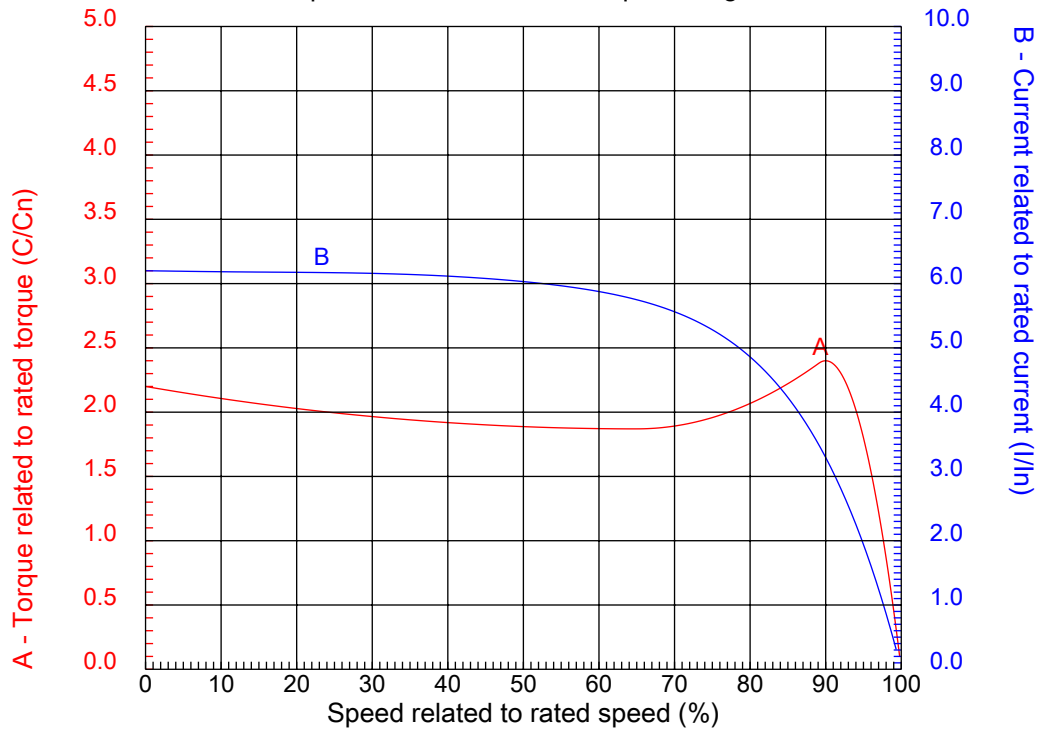
# Dealers Industrial Equipment

No.:

Date: 24-SEP-2016

## CHARACTERISTIC CURVES RELATED TO SPEED

Three-phase induction motor - Squirrel cage rotor



Customer :  
Product line : Close Coupled Pump : Three-Phase - "JM" Type - ODP - High Efficiency

Frame	: 324JM	Locked rotor current (I <sub>l</sub> /I <sub>n</sub> )	: 6.2
Output	: 50 HP	Duty cycle	: S1
Frequency	: 60 Hz	Service factor	: 1.15
Full load speed	: 3560 rpm	Design	: B
Voltage	: 575 V	Locked rotor torque	: 220 %
Rated current	: 46.7 A	Breakdown torque	: 240 %
Insulation class	: F		

Notes:  
Downloaded from <http://dealerselectric.com>  
Generated for Model #05036OP3H324JMV

Performed by

Checked

1 2 3 4 5 6 7 8

A

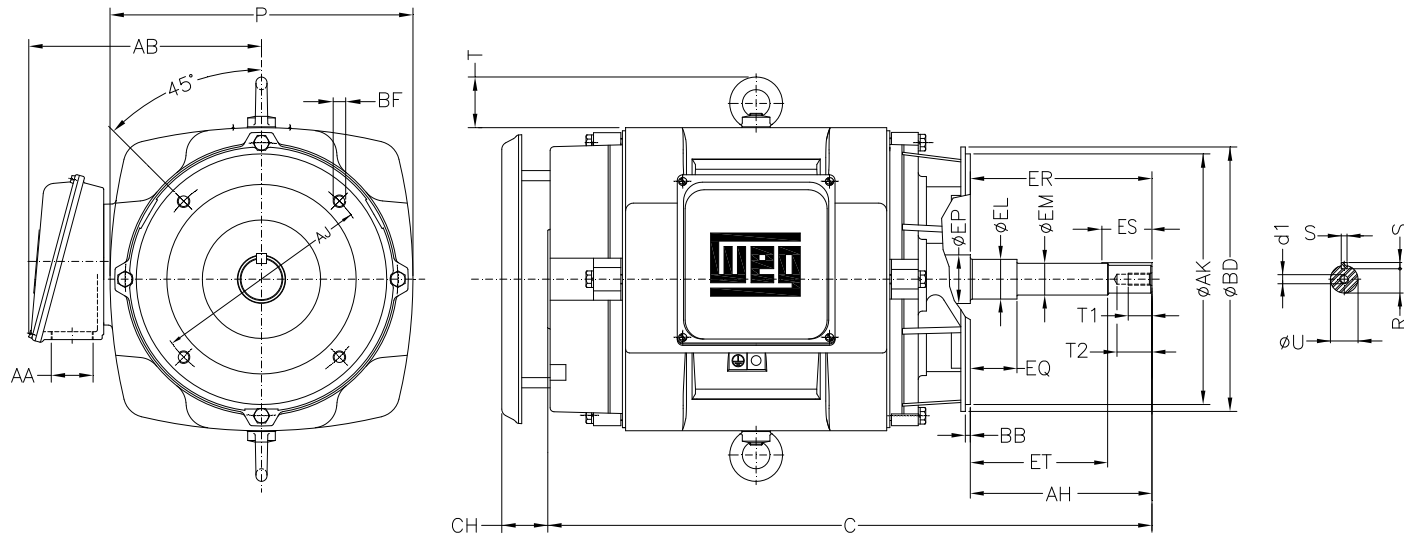
B

C

D

E

F



Notes: Downloaded from <http://dealerselectric.com>  
Generated for Model #05036OP3H324JMV

Performed by:

Checked:

Customer:

Close Coupled Pump : Three-Phase - "JM" Type - ODP - High Efficiency

Three-phase induction motor  
Frame 324JM - IP23

24-SEP-2016



P 15.118	AB 11.496	AA NPT 2"	ER 5.250	EQ 0.630
ET 3.006	U 1.249	EM 1.375	EL 1.750	S 0.250
EP 2.360	R 1.110	ES 2.480	d1 EUNC 1/2"-13	t1 0.984
t2 1.496	C 26.431	Flange FC-279	AJ 11.000	AK 12.500
BD 13.189	BF UNC 5/8"x11	BB 0.250	AH 5.250	

1 2 3 4 5 6 7 8

A

B

C

D

E

F



Notes: Downloaded from <http://dealerselectric.com>  
Generated for Model #05036OP3H324JMV

Performed by:

Checked:

Customer:

Close Coupled Pump : Three-Phase - "JM" Type - ODP - High Efficiency

Three-phase induction motor  
Frame 324JM - IP23

24-SEP-2016

