



Dealers Industrial Equipment

No.:

Date: 23-SEP-2016

Customer :

TECHNICAL PROPOSAL

Three-phase induction motor - Squirrel cage rotor

Product line : W22 NEMA Premium - Ball Bearings

Catalog Number : 05036ET3E326TS-W22

List Price : \$5,316

Notes:

Downloaded from <http://dealerselectric.com>

Generated for Model #05036ET3E326TS-W22

Performed by:

Checked:



Dealers Industrial Equipment

No.:

Date: 23-SEP-2016

DATA SHEET Three-phase induction motor - Squirrel cage rotor

Customer :
Product line : W22 NEMA Premium - Ball Bearings

Frame : 324/6TS
Output : 50 HP
Frequency : 60 Hz
Poles : 2
Full load speed : 3550 rpm
Slip : 1.39 %
Voltage : 208-230/460 V
Rated current : 124-112/56.1 A
Locked rotor current : 696/348 A
Locked rotor current (I_L/I_n) : 6.2
No-load current : 30.0/15.0 A
Full load torque : 73.0 lb.ft
Locked rotor torque : 220 %
Breakdown torque : 230 %
Design : B
Insulation class : F
Temperature rise : 80 K
Locked rotor time : 23 s (hot)
Service factor : 1.25
Duty cycle : S1
Ambient temperature : -20°C - +40°C
Altitude : 1000 m
Degree of Protection : IP55
Approximate weight : 584 lb
Moment of inertia : 5.7469 sq.ft.lb
Noise level : 78 dB(A)

| | D.E. | N.D.E. |
|---------------------|---------|---------|
| Bearings | 6312 C3 | 6212 C3 |
| Regreasing interval | 12000 h | 15000 h |
| Grease amount | 21 g | 13 g |

| Load | Power factor | Efficiency (%) |
|------|--------------|----------------|
| 100% | 0.89 | 93.0 |
| 75% | 0.87 | 93.0 |
| 50% | 0.83 | 93.0 |

Notes:
Downloaded from <http://dealerselectric.com>
Generated for Model #05036ET3E326TS-W22

Performed by

Checked



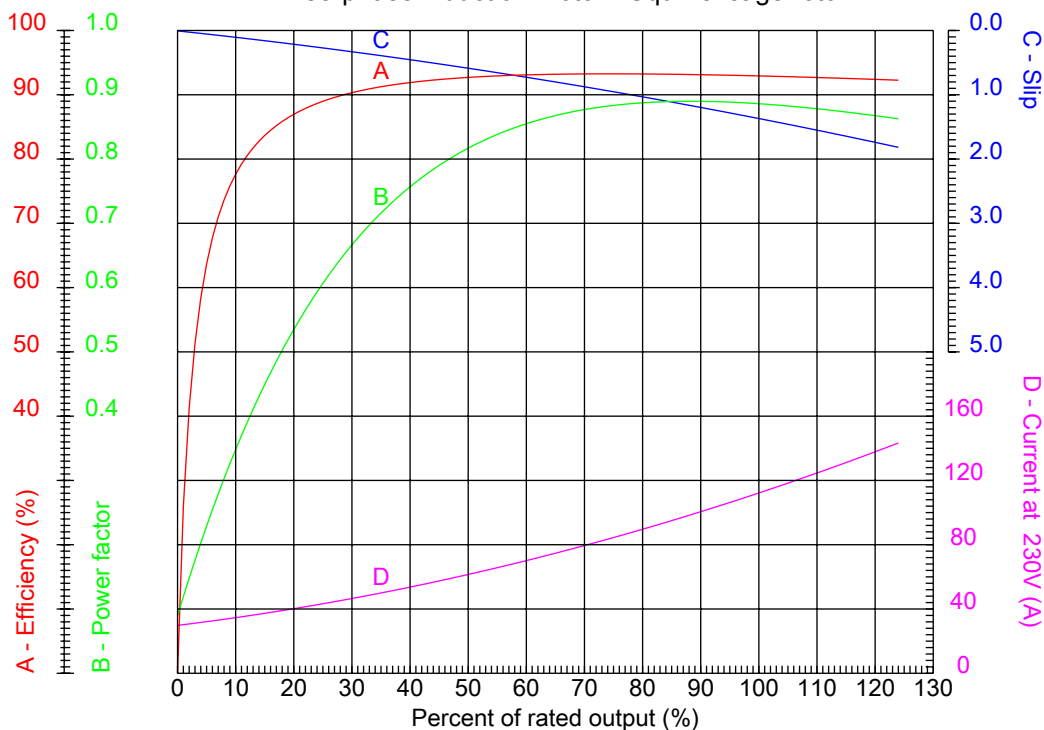
Dealers Industrial Equipment

No.:

Date: 23-SEP-2016

PERFORMANCE CURVES RELATED TO RATED OUTPUT

Three-phase induction motor - Squirrel cage rotor



Customer :
Product line : W22 NEMA Premium - Ball Bearings

| | | | |
|------------------|------------------|--|---------|
| Frame | : 324/6TS | Locked rotor current (I _l /I _n) | : 6.2 |
| Output | : 50 HP | Duty cycle | : S1 |
| Frequency | : 60 Hz | Service factor | : 1.25 |
| Full load speed | : 3550 rpm | Design | : B |
| Voltage | : 208-230/460 V | Locked rotor torque | : 220 % |
| Rated current | : 124-112/56.1 A | Breakdown torque | : 230 % |
| Insulation class | : F | | |

Notes:
Downloaded from <http://dealerselectric.com>
Generated for Model #05036ET3E326TS-W22

Performed by

Checked



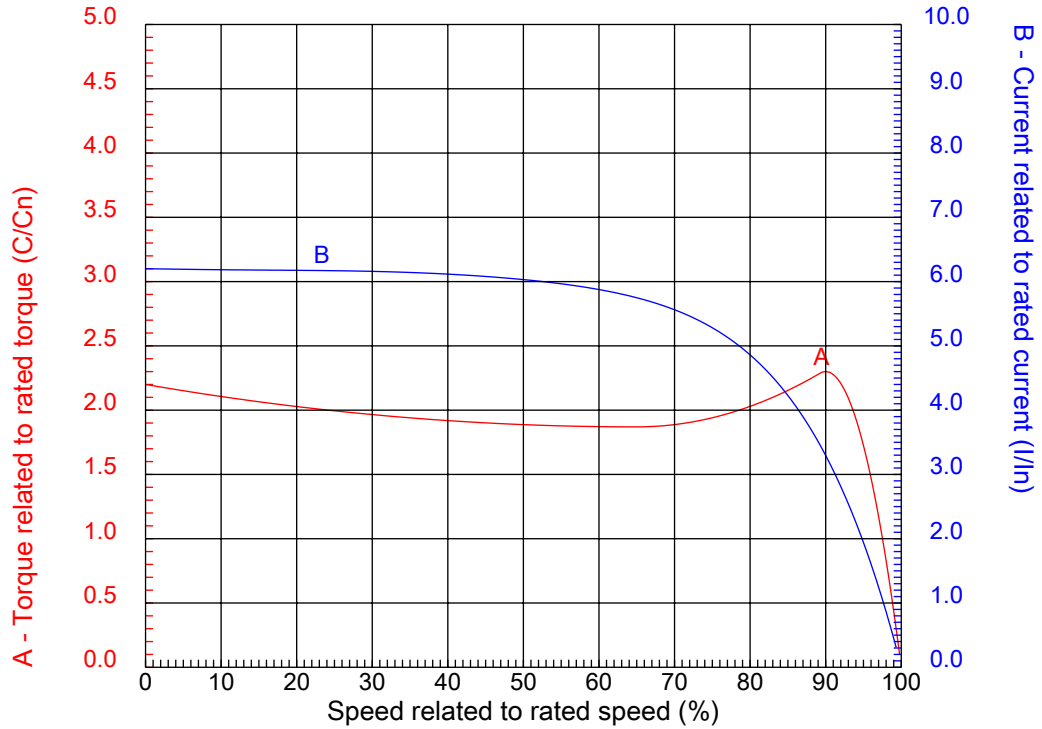
Dealers Industrial Equipment

No.:

Date: 23-SEP-2016

CHARACTERISTIC CURVES RELATED TO SPEED

Three-phase induction motor - Squirrel cage rotor



Customer :
Product line : W22 NEMA Premium - Ball Bearings

| | | | |
|------------------|------------------|--|---------|
| Frame | : 324/6TS | Locked rotor current (I _l /I _n) | : 6.2 |
| Output | : 50 HP | Duty cycle | : S1 |
| Frequency | : 60 Hz | Service factor | : 1.25 |
| Full load speed | : 3550 rpm | Design | : B |
| Voltage | : 208-230/460 V | Locked rotor torque | : 220 % |
| Rated current | : 124-112/56.1 A | Breakdown torque | : 230 % |
| Insulation class | : F | | |

Notes:
Downloaded from <http://dealerselectric.com>
Generated for Model #05036ET3E326TS-W22

Performed by

Checked

1 2 3 4 5 6 7 8

A

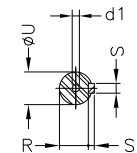
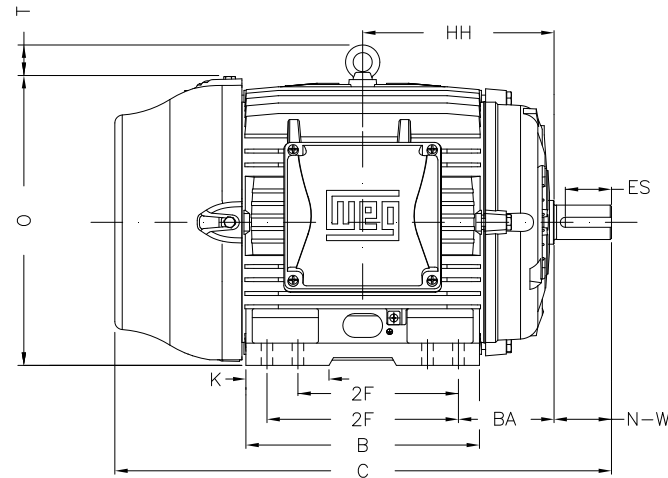
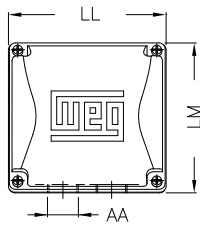
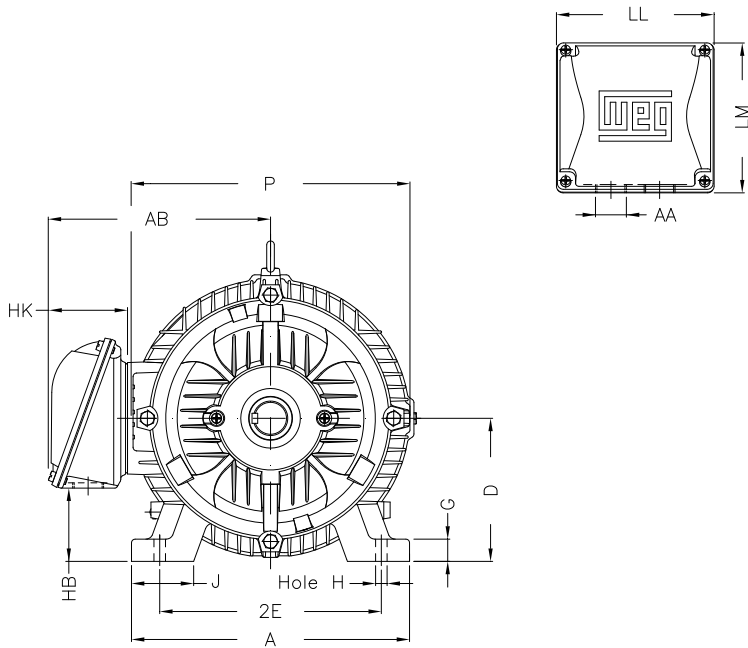
B

C

D

E

F



Notes: Downloaded from <http://dealerselectric.com>
Generated for Model #05036ET3E326TS-W22

Performed by:

Checked:

Customer:

W22 NEMA Premium - Ball Bearings

Three-phase induction motor
Frame 324/6TS - IP55

23-SEP-2016



| | | | | |
|---------------------|--------------|--------------|--------------|--------------|
| 2E 12.500 | J 3.189 | A 15.157 | P 15.827 | AB 12.575 |
| 2F 10.500/12.000 | K 4.055 | B 14.567 | BA 5.250 | FBA 8.738 |
| U 1.875 | N-W 3.750 | ES 2.756 | S 0.500 | R 1.594 |
| depth 0.500 | D 8.000 | G 1.300 | HB 4.811 | O 15.953 |
| T 2.441 | HF 8.708 | HH 11.250 | HK 4.705 | H 0.657 |
| C 29.616 | LL 9.055 | LM 8.661 | AA NPT 2" | d1 A 4 |

1 2 3 4 5 6 7 8

A
B
C
D
E
F

LOW VOLTAGE

HIGH VOLTAGE



CONNECTIONS FOR STARTING ONLY:

LOW VOLTAGE

HIGH VOLTAGE



Notes: Downloaded from <http://dealerselectric.com>
Generated for Model #05036ET3E326TS-W22

Performed by:

Checked:

Customer:

W22 NEMA Premium - Ball Bearings

Three-phase induction motor
Frame 324/6TS - IP55

23-SEP-2016

