



Dealers Industrial Equipment

No.:

Date: 23-SEP-2016

Customer :

TECHNICAL PROPOSAL

Three-phase induction motor - Squirrel cage rotor

Product line : Three-Phase : Explosion Proof - NEMA Premium

Catalog Number : 05018XT3ER326TC

List Price : \$7,215

Notes:

Downloaded from <http://dealerselectric.com>

Generated for Model #05018XT3ER326TC

Performed by:

Checked:



Dealers Industrial Equipment

No.:

Date: 23-SEP-2016

DATA SHEET Three-phase induction motor - Squirrel cage rotor

Customer :
 Product line : Three-Phase : Explosion Proof - NEMA Premium

Frame : 326T
 Output : 50 HP
 Frequency : 60 Hz
 Poles : 4
 Full load speed : 1780 rpm
 Slip : 1.11 %
 Voltage : 208-230/460 V
 Rated current : 134-121/60.6 A
 Locked rotor current : 885/443 A
 Locked rotor current (I_L/I_n) : 7.3
 No-load current : 55.0/27.5 A
 Full load torque : 146 lb.ft
 Locked rotor torque : 260 %
 Breakdown torque : 280 %
 Design : B
 Insulation class : F
 Temperature rise : 80 K
 Locked rotor time : 20 s (hot)
 Service factor : 1.15
 Duty cycle : S1
 Ambient temperature : -20°C - +40°C
 Altitude : 1000 m
 Degree of Protection : IP55
 Approximate weight : 706 lb
 Moment of inertia : 9.1624 sq.ft.lb
 Noise level : 71 dB(A)

	D.E.	N.D.E.
Bearings	6312 2RS-C3	6212 2RS-C3
Regreasing interval	---	---
Grease amount	---	---

Load	Power factor	Efficiency (%)
100%	0.81	94.5
75%	0.76	94.5
50%	0.65	93.6

Notes:
 Downloaded from <http://dealerselectric.com>
 Generated for Model #05018XT3ER326TC

Performed by

Checked



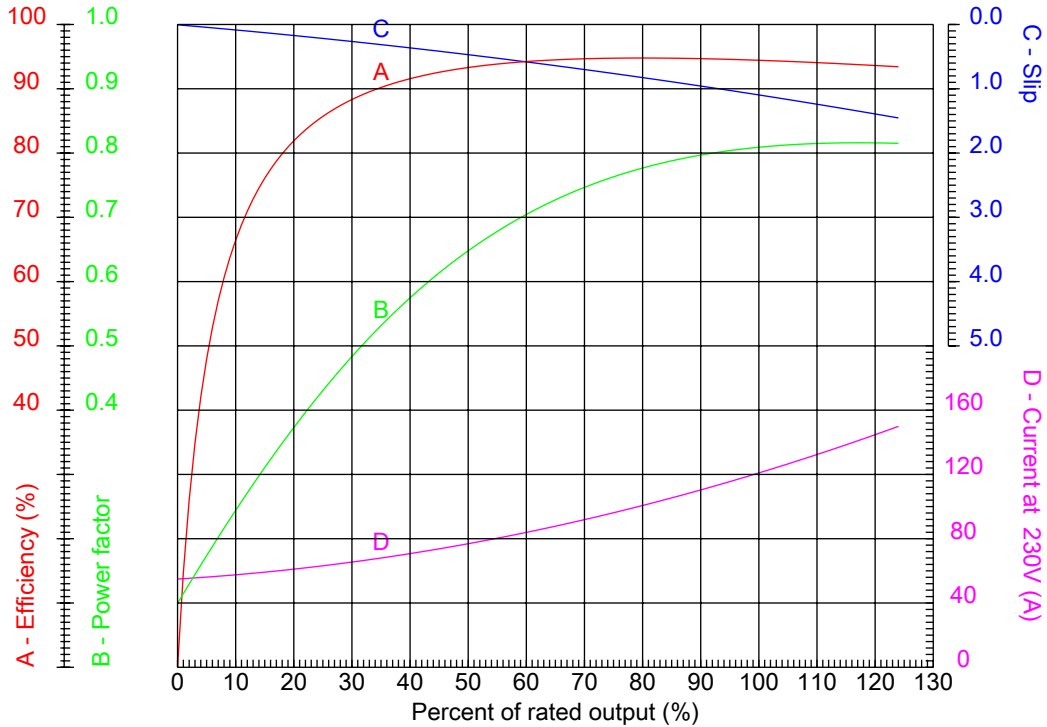
Dealers Industrial Equipment

No.:

Date: 23-SEP-2016

PERFORMANCE CURVES RELATED TO RATED OUTPUT

Three-phase induction motor - Squirrel cage rotor



Customer :
 Product line : Three-Phase : Explosion Proof - NEMA Premium

Frame	: 326T	Locked rotor current (I _l /I _n)	: 7.3
Output	: 50 HP	Duty cycle	: S1
Frequency	: 60 Hz	Service factor	: 1.15
Full load speed	: 1780 rpm	Design	: B
Voltage	: 208-230/460 V	Locked rotor torque	: 260 %
Rated current	: 134-121/60.6 A	Breakdown torque	: 280 %
Insulation class	: F		

Notes:
 Downloaded from <http://dealerselectric.com>
 Generated for Model #05018XT3ER326TC

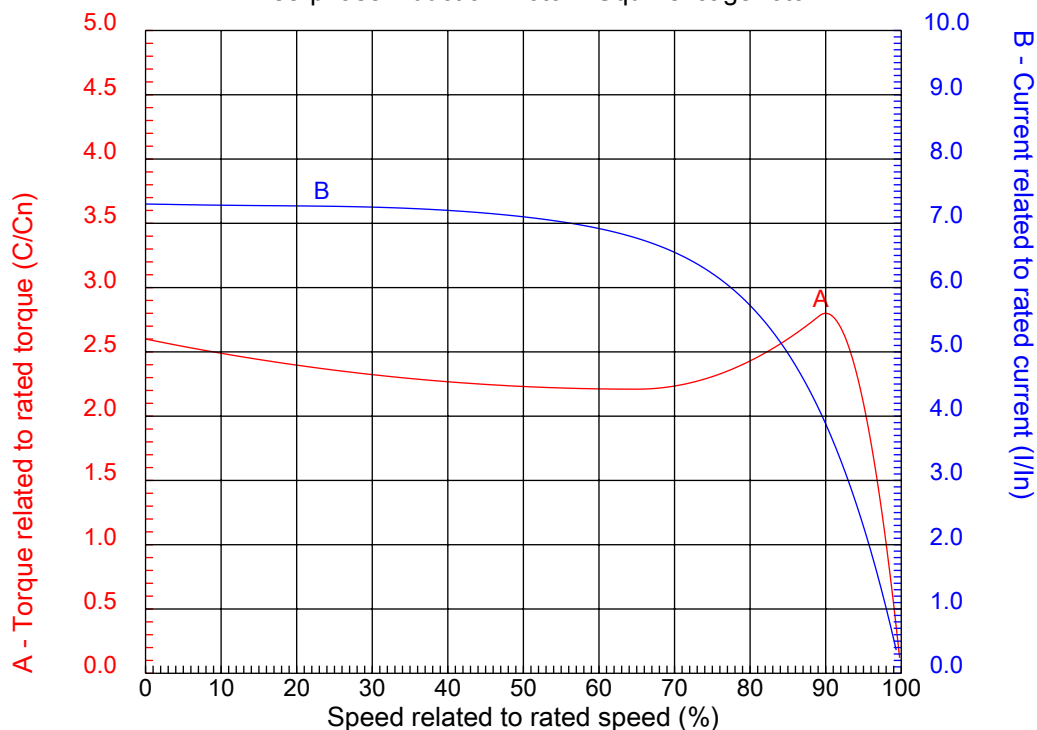
Performed by

Checked



CHARACTERISTIC CURVES RELATED TO SPEED

Three-phase induction motor - Squirrel cage rotor



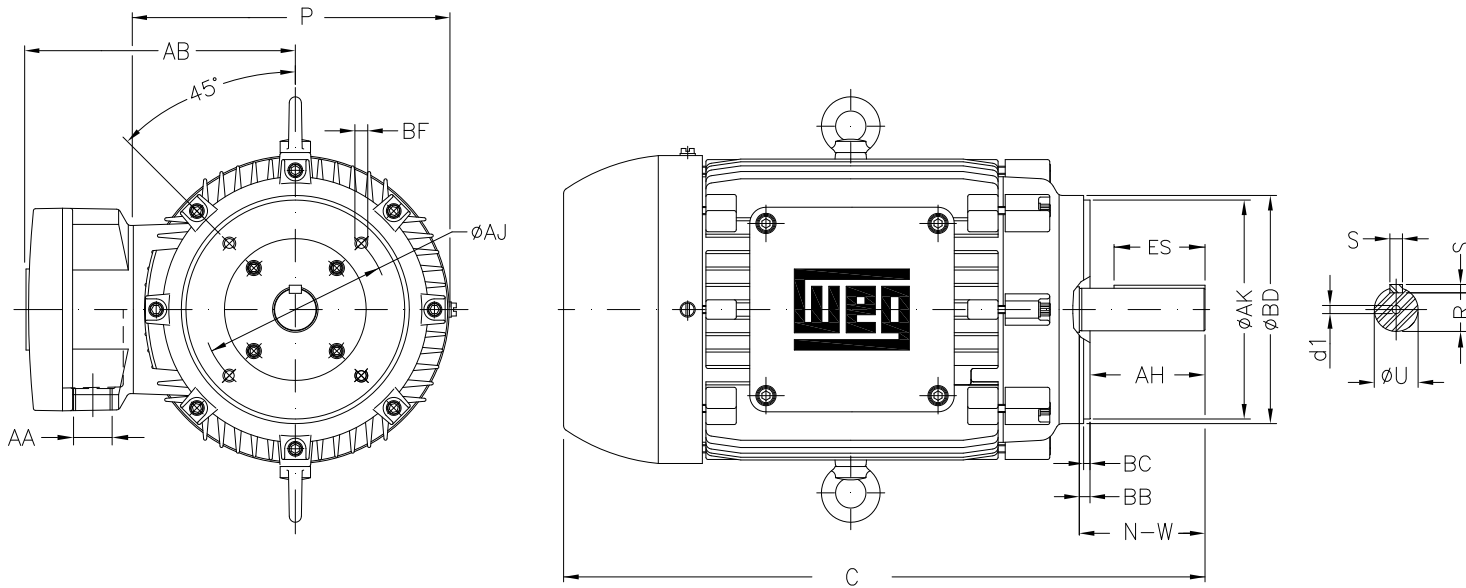
Customer :
Product line : Three-Phase : Explosion Proof - NEMA Premium

Frame	: 326T	Locked rotor current (I _l /I _n)	: 7.3
Output	: 50 HP	Duty cycle	: S1
Frequency	: 60 Hz	Service factor	: 1.15
Full load speed	: 1780 rpm	Design	: B
Voltage	: 208-230/460 V	Locked rotor torque	: 260 %
Rated current	: 134-121/60.6 A	Breakdown torque	: 280 %
Insulation class	: F		

Notes:
Downloaded from <http://dealerselectric.com>
Generated for Model #05018XT3ER326TC

Performed by

Checked



Notes: Downloaded from <http://dealerselectric.com>
 Generated for Model #05018XT3ER326TC

Performed by:

Checked:

Customer:

Three-Phase : Explosion Proof - NEMA Premium

P	ES	S	depth	N-W
15.697	3.937	0.500	0.500	5.250
U	R	AB	C	AA
2.125	1.844	12.961	31.106	NPT 2"
d1	d2	Flange	AJ	AK
A 4	A 4	FC-279	11.000	12.500
BD	BF	BB	BC	AH
13.583	UNC 5/8"x11	0.250	0.250	5.000

Three-phase induction motor
 Frame 326T - IP55

23-SEP-2016



1 2 3 4 5 6 7 8

A
B
C
D
E
F

LOW VOLTAGE

HIGH VOLTAGE



CONNECTIONS FOR STARTING ONLY:

LOW VOLTAGE

HIGH VOLTAGE



Notes: Downloaded from <http://dealerselectric.com>
Generated for Model #05018XT3ER326TC

Performed by:

Checked:

Customer:

Three-Phase : Explosion Proof - NEMA Premium

Three-phase induction motor
Frame 326T - IP55

23-SEP-2016

