



Dealers Industrial Equipment

No.:

Date: 23-SEP-2016

Customer :

TECHNICAL PROPOSAL

Three-phase induction motor - Squirrel cage rotor

Product line : ODP – Open Induction Motors – NEMA Premium Efficiency

Catalog Number : 05018OT3P326T

List Price : \$3,788

Notes:

Downloaded from <http://dealerselectric.com>

Generated for Model #05018OT3P326T

Performed by:

Checked:



Dealers Industrial Equipment

No.:

Date: 23-SEP-2016

DATA SHEET Three-phase induction motor - Squirrel cage rotor

Customer :
 Product line : ODP – Open Induction Motors – NEMA Premium Efficiency

Frame : 326T
 Output : 50 HP
 Frequency : 60 Hz
 Poles : 4
 Full load speed : 1775 rpm
 Slip : 1.39 %
 Voltage : 200 V
 Rated current : 138 A
 Locked rotor current : 868 A
 Locked rotor current (I_L/I_n) : 6.3
 No-load current : 55.2 A
 Full load torque : 146 lb.ft
 Locked rotor torque : 240 %
 Breakdown torque : 250 %
 Design : B
 Insulation class : F
 Temperature rise : 80 K
 Locked rotor time : 12 s (hot)
 Service factor : 1.15
 Duty cycle : S1
 Ambient temperature : -20°C - +40°C
 Altitude : 1000 m
 Degree of Protection : IP23
 Approximate weight : 564 lb
 Moment of inertia : 7.0355 sq.ft.lb
 Noise level : 65 dB(A)

	D.E.	N.D.E.
Bearings	6312 Z-C3	6212 Z-C3
Regreasing interval	20000 h	20000 h
Grease amount	21 g	13 g

Load	Power factor	Efficiency (%)
100%	0.82	94.5
75%	0.79	94.5
50%	0.70	94.1

Notes:
 Downloaded from <http://dealerselectric.com>
 Generated for Model #05018OT3P326T

Performed by

Checked



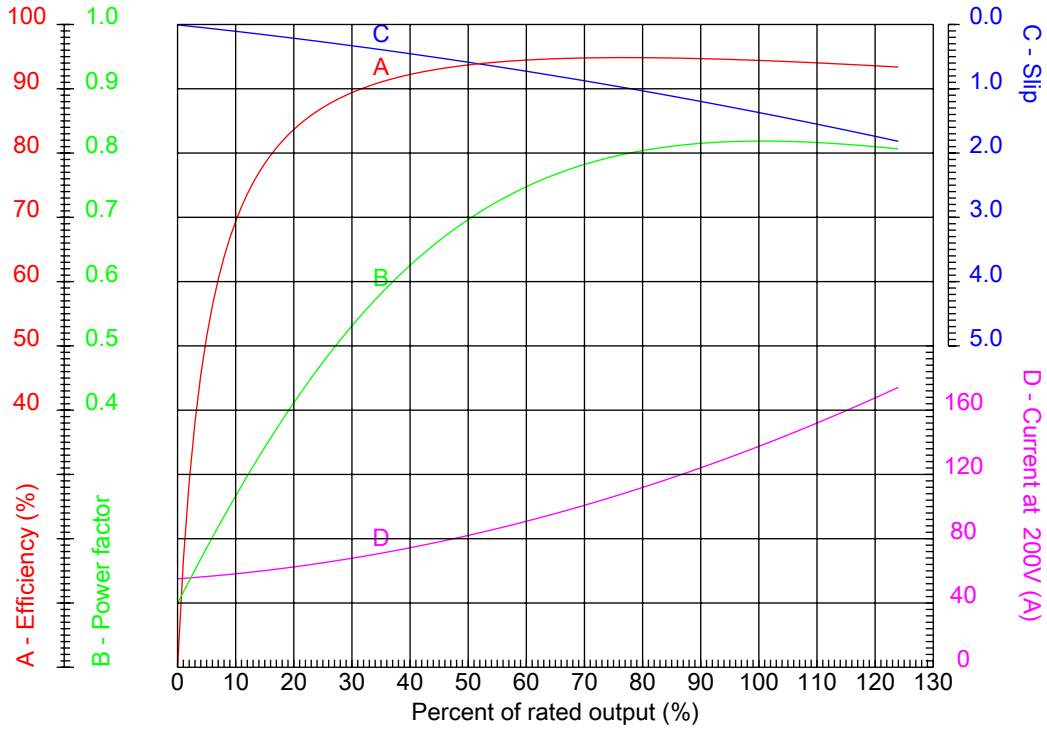
Dealers Industrial Equipment

No.:

Date: 23-SEP-2016

PERFORMANCE CURVES RELATED TO RATED OUTPUT

Three-phase induction motor - Squirrel cage rotor



Customer :
 Product line : ODP – Open Induction Motors – NEMA Premium Efficiency

Frame	: 326T	Locked rotor current (I _L /I _n)	: 6.3
Output	: 50 HP	Duty cycle	: S1
Frequency	: 60 Hz	Service factor	: 1.15
Full load speed	: 1775 rpm	Design	: B
Voltage	: 200 V	Locked rotor torque	: 240 %
Rated current	: 138 A	Breakdown torque	: 250 %
Insulation class	: F		

Notes:
 Downloaded from <http://dealerselectric.com>
 Generated for Model #05018OT3P326T

Performed by

Checked



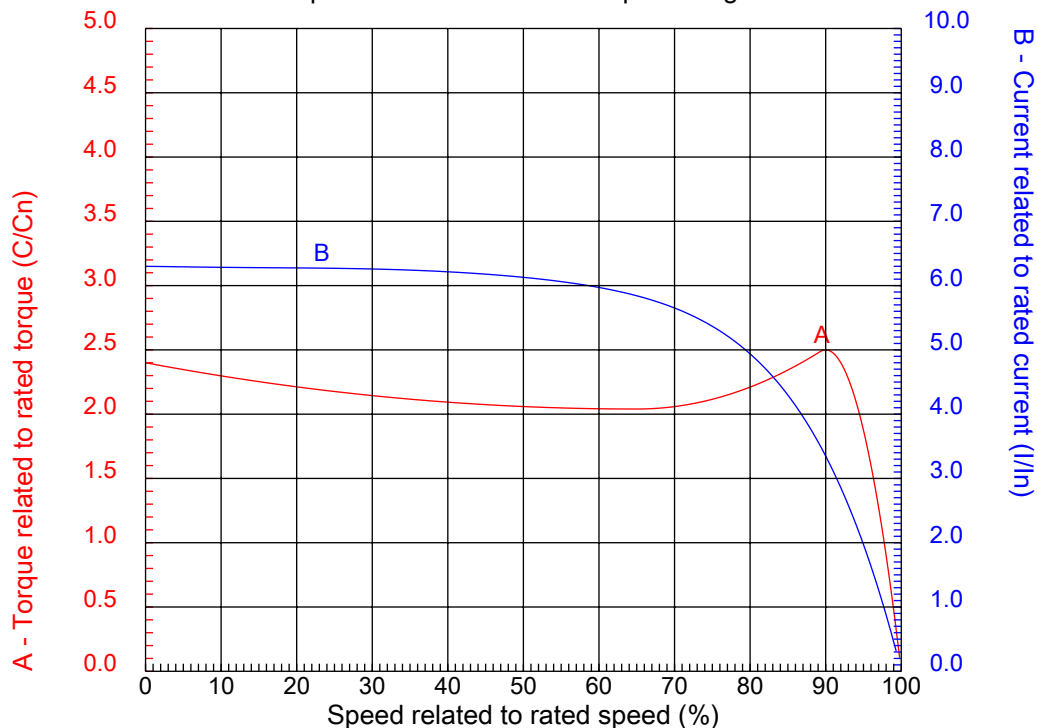
Dealers Industrial Equipment

No.:

Date: 23-SEP-2016

CHARACTERISTIC CURVES RELATED TO SPEED

Three-phase induction motor - Squirrel cage rotor



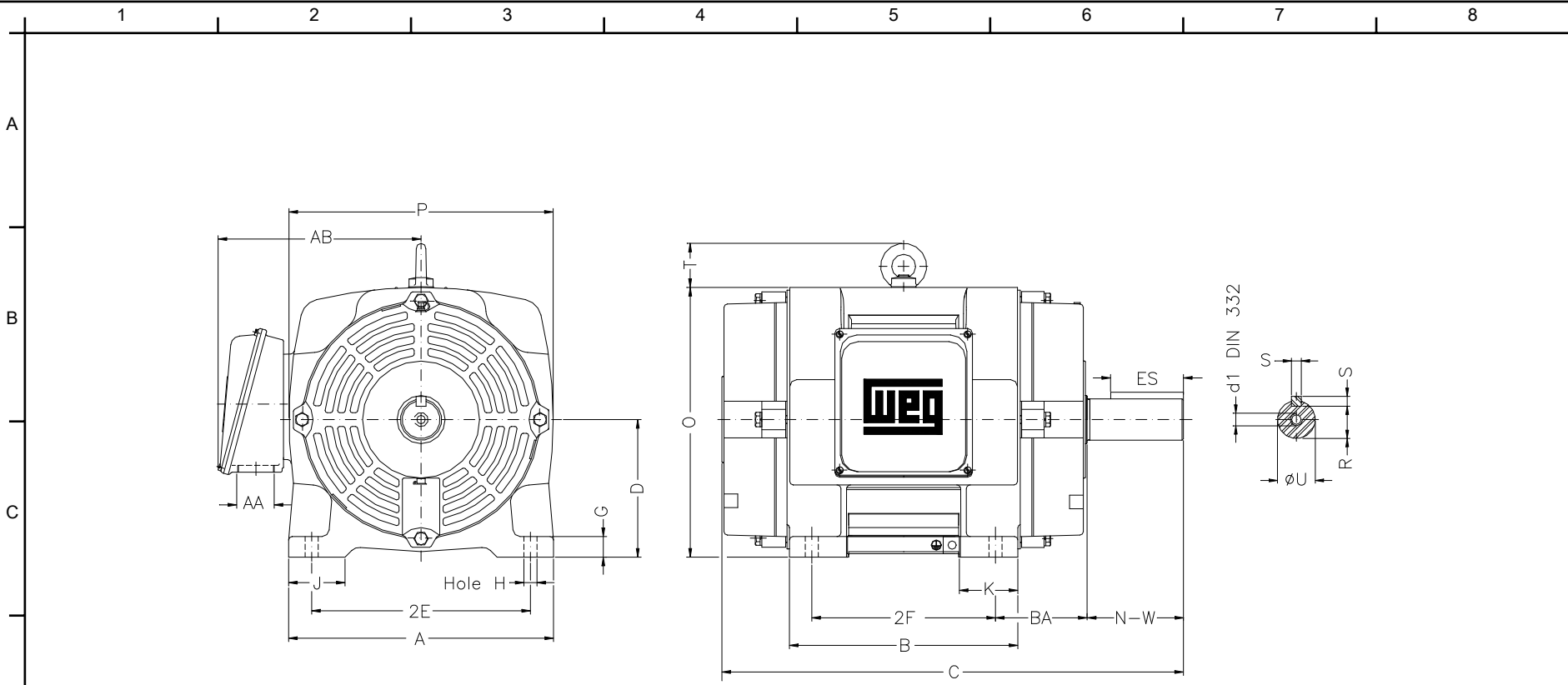
Customer :
Product line : ODP – Open Induction Motors – NEMA Premium Efficiency

Frame	: 326T	Locked rotor current (I _l /I _n)	: 6.3
Output	: 50 HP	Duty cycle	: S1
Frequency	: 60 Hz	Service factor	: 1.15
Full load speed	: 1775 rpm	Design	: B
Voltage	: 200 V	Locked rotor torque	: 240 %
Rated current	: 138 A	Breakdown torque	: 250 %
Insulation class	: F		

Notes:
Downloaded from <http://dealerselectric.com>
Generated for Model #05018OT3P326T

Performed by

Checked



Notes: Downloaded from <http://dealerselectric.com>
 Generated for Model #05018OT3P326T

Performed by:

Checked:

Customer:

ODP – Open Induction Motors – NEMA Premium Efficiency

Three-phase induction motor
 Frame 326T - IP23

23-SEP-2016



2E 12.500	J 3.230	A 15.160	P 15.118	AB 11.496
2F 12.000	K 3.350	B 14.566	BA 5.250	U 2.125
d1 A 4	N-W 5.250	ES 3.937	S 0.500	R 1.844
depth 0.500	D 8.000	G 1.299	O 15.551	T 2.559
H 0.656	C 27.667	AA NPT 2"		

1 2 3 4 5 6 7 8

A
B
C
D
E
F

RUN



ONLY FOR START



Notes: Downloaded from http://dealerselectric.com Generated for Model #05018OT3P326T		
Performed by:		
Checked:		
Customer:		
ODP – Open Induction Motors – NEMA Premium Efficiency		
Three-phase induction motor Frame 326T - IP23	23-SEP-2016	