



Dealers Industrial Equipment

No.:

Date: 23-SEP-2016

Customer :

TECHNICAL PROPOSAL

Three-phase induction motor - Squirrel cage rotor

Product line : ODP General Purpose

Catalog Number : 05018OT3E326T-G

List Price : \$4,188

Notes:

Downloaded from <http://dealerselectric.com>

Generated for Model #05018OT3E326T-G

Performed by:

Checked:



Dealers Industrial Equipment

No.:

Date: 23-SEP-2016

DATA SHEET Three-phase induction motor - Squirrel cage rotor

Customer :
Product line : ODP General Purpose

Frame : 326T
Output : 50 HP
Frequency : 60 Hz
Poles : 4
Full load speed : 1775 rpm
Slip : 1.39 %
Voltage : 208-230/460 V
Rated current : 132-120/59.9 A
Locked rotor current : 755/377 A
Locked rotor current (I_L/I_n) : 6.3
No-load current : 48.0/24.0 A
Full load torque : 146 lb.ft
Locked rotor torque : 240 %
Breakdown torque : 250 %
Design : B
Insulation class : F
Temperature rise : 80 K
Locked rotor time : 12 s (hot)
Service factor : 1.15
Duty cycle : S1
Ambient temperature : -20°C - +40°C
Altitude : 1000 m
Degree of Protection : IP23
Approximate weight : 564 lb
Moment of inertia : 7.0355 sq.ft.lb
Noise level : 65 dB(A)

	D.E.	N.D.E.
Bearings	6312 Z-C3	6212 Z-C3
Regreasing interval	20000 h	20000 h
Grease amount	21 g	13 g

Load	Power factor	Efficiency (%)
100%	0.82	94.5
75%	0.79	94.5
50%	0.70	94.1

Notes:
Downloaded from <http://dealerselectric.com>
Generated for Model #05018OT3E326T-G

Performed by

Checked



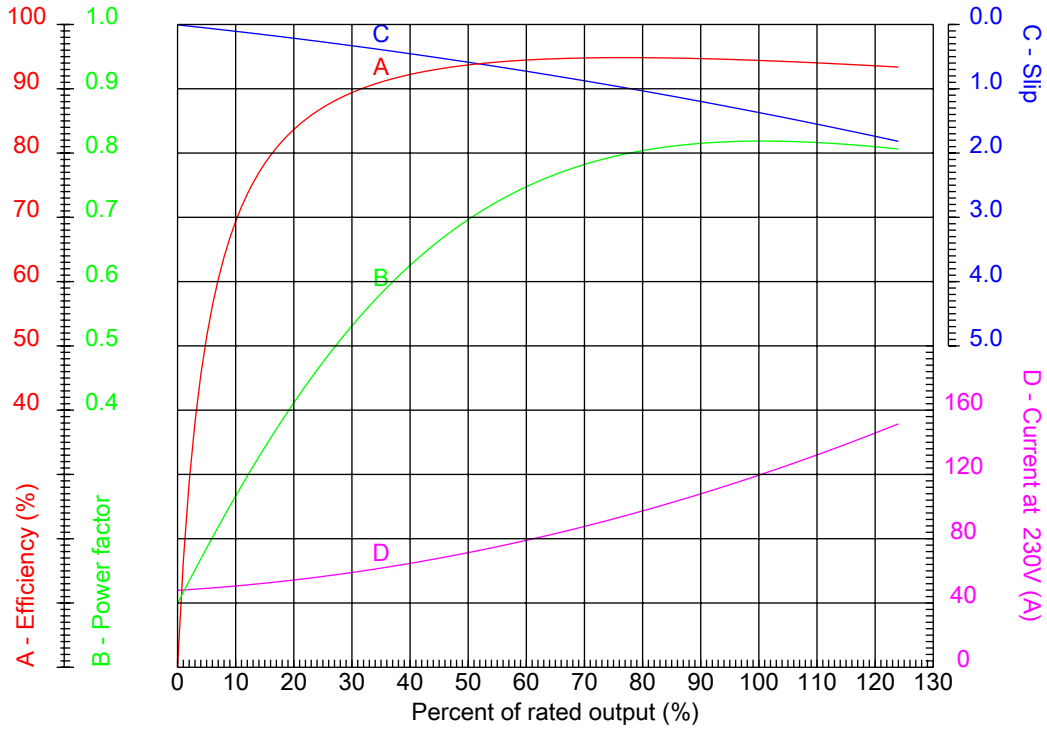
Dealers Industrial Equipment

No.:

Date: 23-SEP-2016

PERFORMANCE CURVES RELATED TO RATED OUTPUT

Three-phase induction motor - Squirrel cage rotor



Customer :
Product line : ODP General Purpose

Frame	: 326T	Locked rotor current (I _l /I _n)	: 6.3
Output	: 50 HP	Duty cycle	: S1
Frequency	: 60 Hz	Service factor	: 1.15
Full load speed	: 1775 rpm	Design	: B
Voltage	: 208-230/460 V	Locked rotor torque	: 240 %
Rated current	: 132-120/59.9 A	Breakdown torque	: 250 %
Insulation class	: F		

Notes:
Downloaded from <http://dealerselectric.com>
Generated for Model #05018OT3E326T-G

Performed by

Checked



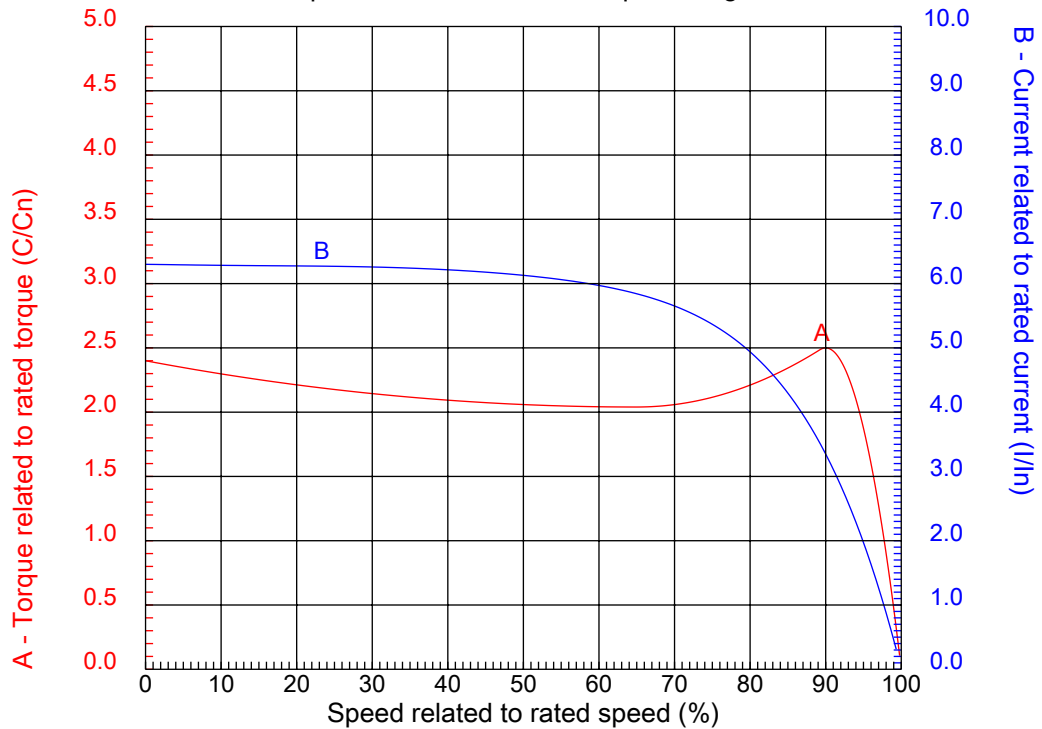
Dealers Industrial Equipment

No.:

Date: 23-SEP-2016

CHARACTERISTIC CURVES RELATED TO SPEED

Three-phase induction motor - Squirrel cage rotor



Customer :
Product line : ODP General Purpose

Frame	: 326T	Locked rotor current (I _l /I _n)	: 6.3
Output	: 50 HP	Duty cycle	: S1
Frequency	: 60 Hz	Service factor	: 1.15
Full load speed	: 1775 rpm	Design	: B
Voltage	: 208-230/460 V	Locked rotor torque	: 240 %
Rated current	: 132-120/59.9 A	Breakdown torque	: 250 %
Insulation class	: F		

Notes:
Downloaded from <http://dealerselectric.com>
Generated for Model #05018OT3E326T-G

Performed by

Checked

1 2 3 4 5 6 7 8

A

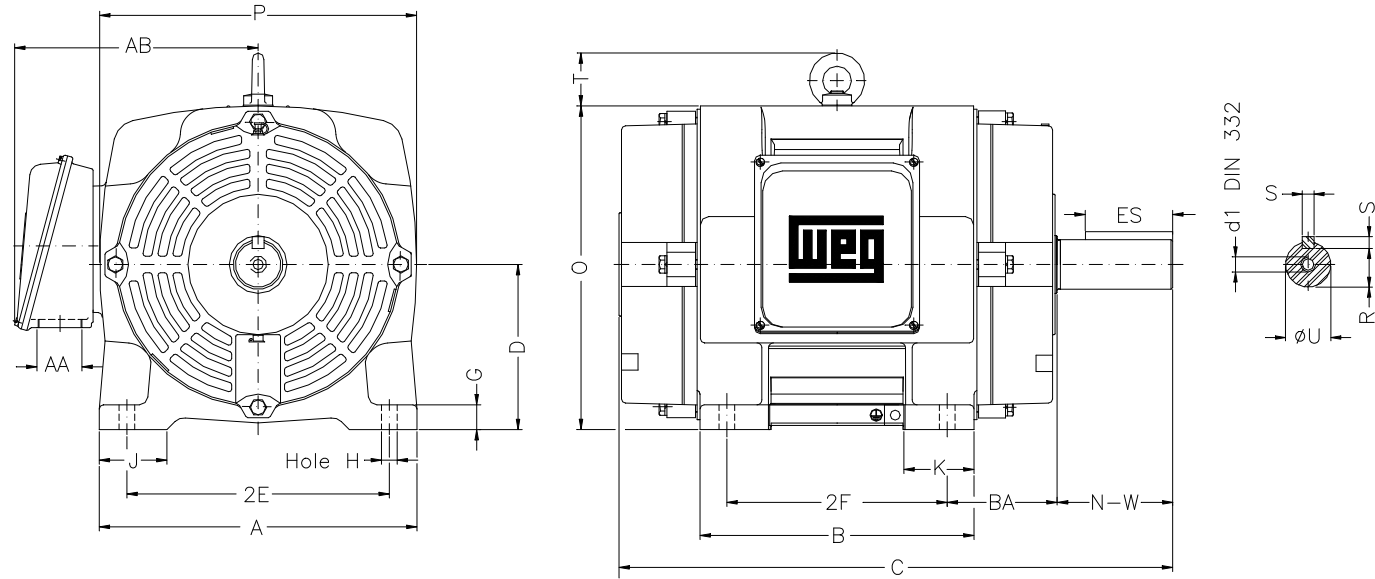
B

C

D

E

F



Notes: Downloaded from <http://dealerselectric.com>
Generated for Model #05018OT3E326T-G

Performed by:

Checked:

Customer:

ODP General Purpose

Three-phase induction motor
Frame 326T - IP23

23-SEP-2016



2E 12.500	A 15.160	2F 12.000	B 14.566	BA 5.250
J 3.230	K 3.350	P 15.118	ES 3.937	depth 0.500
S 0.500	D 8.000	N-W 5.250	G 1.299	U 2.125
O 15.551	T 2.559	R 1.844	H 0.656	AB 11.496
C 27.667	AA NPT 2"	d1 A 4		

1 2 3 4 5 6 7 8

A
B
C
D
E
F

LOW VOLTAGE

HIGH VOLTAGE



CONNECTIONS FOR STARTING ONLY:

LOW VOLTAGE

HIGH VOLTAGE



Notes: Downloaded from <http://dealerselectric.com>
Generated for Model #05018OT3E326T-G

Performed by:

Checked:

Customer:

ODP General Purpose

Three-phase induction motor
Frame 326T - IP23

23-SEP-2016

