



Dealers Industrial Equipment

No.:

Date: 23-SEP-2016

Customer :

TECHNICAL PROPOSAL

Three-phase induction motor - Squirrel cage rotor

Product line : W22 Oil Well Pumping : High Slip - NEMA Design "D" - TEFC (IP55)

Catalog Number : 05012ES3EOW404T-W22

List Price : \$8,172

Notes:

Downloaded from <http://dealerselectric.com>

Generated for Model #05012ES3EOW404T-W22

Performed by:

Checked:



Dealers Industrial Equipment

No.:

Date: 23-SEP-2016

DATA SHEET

Three-phase induction motor - Squirrel cage rotor

Customer :
 Product line : W22 Oil Well Pumping : High Slip - NEMA Design "D" - TEFC (IP55)

Frame : 404/5T
 Output : 50 HP
 Frequency : 60 Hz
 Poles : 6
 Full load speed : 1120 rpm
 Slip : 6.67 %
 Voltage : 208-230/460 V
 Rated current : 134-118/59.2 A
 Locked rotor current : 722/361 A
 Locked rotor current (I_L/I_n) : 6.1
 No-load current : 33.0/16.5 A
 Full load torque : 231 lb.ft
 Locked rotor torque : 300 %
 Breakdown torque : 0 %
 Design : D
 Insulation class : F
 Temperature rise : 80 K
 Locked rotor time : 25 s (hot)
 Service factor : 1.15
 Duty cycle : S1
 Ambient temperature : -20°C - +40°C
 Altitude : 1000 m
 Degree of Protection : IP55
 Approximate weight : 1036 lb
 Moment of inertia : 36.025 sq.ft.lb
 Noise level : 68 dB(A)

	D.E.	N.D.E.	Load	Power factor	Efficiency (%)
Bearings	NU-316 C3	6314 C3	100%	0.89	88.1
Regreasing interval	12000 h	17000 h	75%	0.87	87.5
Grease amount	34 g	27 g	50%	0.80	86.5

Notes:

Downloaded from <http://dealerselectric.com>
 Generated for Model #05012ES3EOW404T-W22

Performed by

Checked



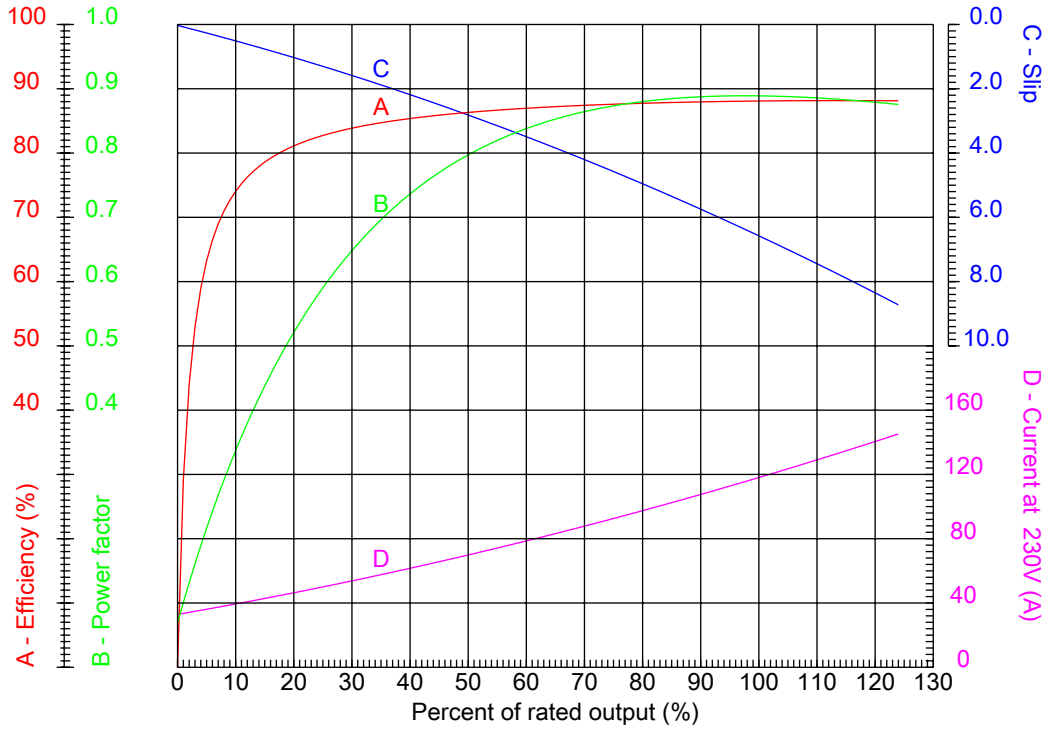
Dealers Industrial Equipment

No.:

Date: 23-SEP-2016

PERFORMANCE CURVES RELATED TO RATED OUTPUT

Three-phase induction motor - Squirrel cage rotor



Customer :
 Product line : W22 Oil Well Pumping : High Slip - NEMA Design "D" - TEFC (IP55)

Frame	: 404/5T	Locked rotor current (I _l /I _n)	: 6.1
Output	: 50 HP	Duty cycle	: S1
Frequency	: 60 Hz	Service factor	: 1.15
Full load speed	: 1120 rpm	Design	: D
Voltage	: 208-230/460 V	Locked rotor torque	: 300 %
Rated current	: 134-118/59.2 A	Breakdown torque	: 0 %
Insulation class	: F		

Notes:
 Downloaded from <http://dealerselectric.com>
 Generated for Model #05012ES3EOW404T-W22

Performed by

Checked



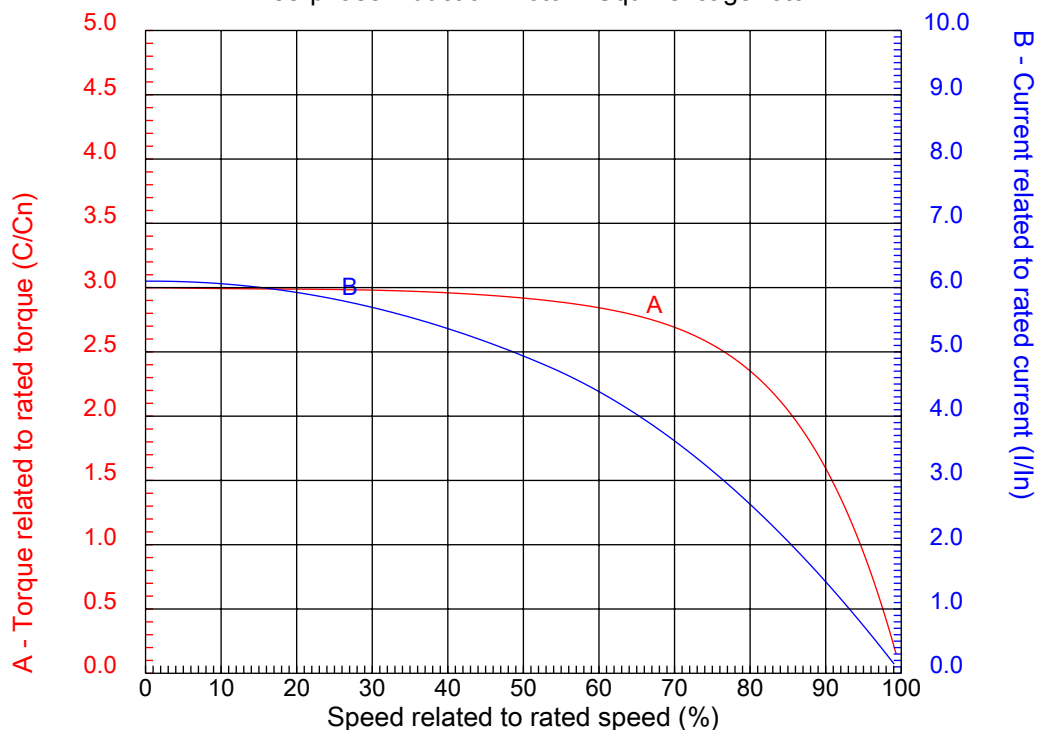
Dealers Industrial Equipment

No.:

Date: 23-SEP-2016

CHARACTERISTIC CURVES RELATED TO SPEED

Three-phase induction motor - Squirrel cage rotor



Customer :
Product line : W22 Oil Well Pumping : High Slip - NEMA Design "D" - TEFC (IP55)

Frame	: 404/5T	Locked rotor current (I _l /I _n)	: 6.1
Output	: 50 HP	Duty cycle	: S1
Frequency	: 60 Hz	Service factor	: 1.15
Full load speed	: 1120 rpm	Design	: D
Voltage	: 208-230/460 V	Locked rotor torque	: 300 %
Rated current	: 134-118/59.2 A	Breakdown torque	: 255 %
Insulation class	: F		

Notes:
Downloaded from <http://dealerselectric.com>
Generated for Model #05012ES3EOW404T-W22

Performed by

Checked

1 2 3 4 5 6 7 8

A

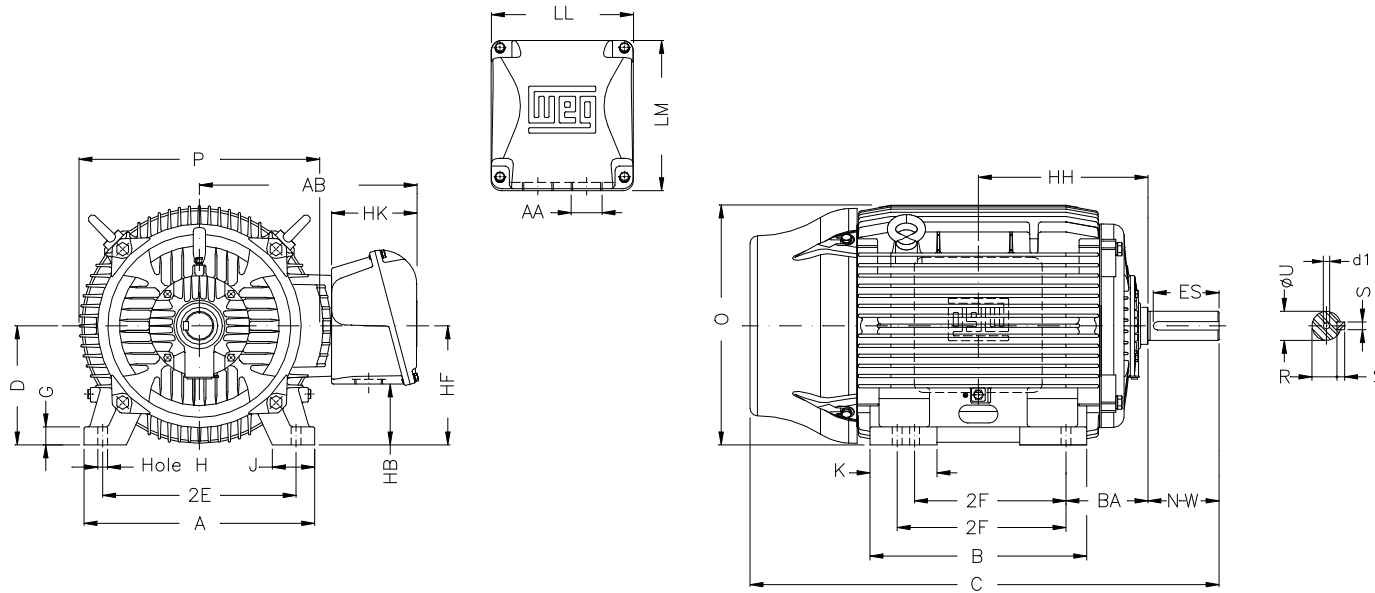
B

C

D

E

F



Notes: Downloaded from <http://dealerselectric.com>
Generated for Model #05012ES3EOW404T-W22

Performed by:

Checked:

Customer:

W22 Oil Well Pumping : High Slip - NEMA Design "D" - TEFC (IP55)

Three-phase induction motor
Frame 404/5T - IP55

23-SEP-2016



2E 15.984	J 3.937	A 19.921	P 19.134	AB 16.016
2F 12.244/13.740	K 5.669	B 18.386	BA 6.625	FBA 13.926
U 2.875	N-W 7.250	ES 5.512	S 0.750	R 2.449
depth 0.750	D 10.000	G 1.811	HB 5.252	O 19.566
HH 13.496	HK 6.024	H 0.810	C 39.730	FC 45.295
LL 10.591	LM 11.267	AA NPT 3"	d1 DUNC 3/4"-10	d2 DUNC 3/4"-10

1 2 3 4 5 6 7 8

A
B
C
D
E
F

LOW VOLTAGE

HIGH VOLTAGE



CONNECTIONS FOR STARTING ONLY:

LOW VOLTAGE

HIGH VOLTAGE



Notes: Downloaded from <http://dealerselectric.com>
Generated for Model #05012ES3EOW404T-W22

Performed by:

Checked:

Customer:

W22 Oil Well Pumping : High Slip - NEMA Design "D" - TEFC (IP55)

Three-phase induction motor
Frame 404/5T - IP55

23-SEP-2016

