



Dealers Industrial Equipment

No.:

Date: 23-SEP-2016

Customer :

TECHNICAL PROPOSAL

Three-phase induction motor - Squirrel cage rotor

Product line : ODP – Open Induction Motors – NEMA Premium Efficiency

Catalog Number : 04036OT3V286TS

List Price : \$3,308

Notes:

Downloaded from <http://dealerselectric.com>

Generated for Model #04036OT3V286TS

Performed by:

Checked:



Dealers Industrial Equipment

No.:

Date: 23-SEP-2016

DATA SHEET Three-phase induction motor - Squirrel cage rotor

Customer :
 Product line : ODP – Open Induction Motors – NEMA Premium Efficiency

Frame : 286TS
 Output : 40 HP
 Frequency : 60 Hz
 Poles : 2
 Full load speed : 3535 rpm
 Slip : 1.81 %
 Voltage : 200/400 V
 Rated current : 108/54.2 A
 Locked rotor current : 693/347 A
 Locked rotor current (I_L/I_n) : 6.4
 No-load current : 29.9/15.0 A
 Full load torque : 58.6 lb.ft
 Locked rotor torque : 200 %
 Breakdown torque : 260 %
 Design : B
 Insulation class : F
 Temperature rise : 80 K
 Locked rotor time : 10 s (hot)
 Service factor : 1.15
 Duty cycle : S1
 Ambient temperature : -20°C - +40°C
 Altitude : 1000 m
 Degree of Protection : IP23
 Approximate weight : 357 lb
 Moment of inertia : 2.3569 sq.ft.lb
 Noise level : 73 dB(A)

| | D.E. | N.D.E. |
|---------------------|-----------|-----------|
| Bearings | 6311 Z-C3 | 6211 Z-C3 |
| Regreasing interval | 20000 h | 20000 h |
| Grease amount | 18 g | 11 g |

| Load | Power factor | Efficiency (%) |
|------|--------------|----------------|
| 100% | 0.86 | 93.0 |
| 75% | 0.83 | 93.0 |
| 50% | 0.74 | 91.7 |

Notes:
 Downloaded from <http://dealerselectric.com>
 Generated for Model #04036OT3V286TS

Performed by

Checked



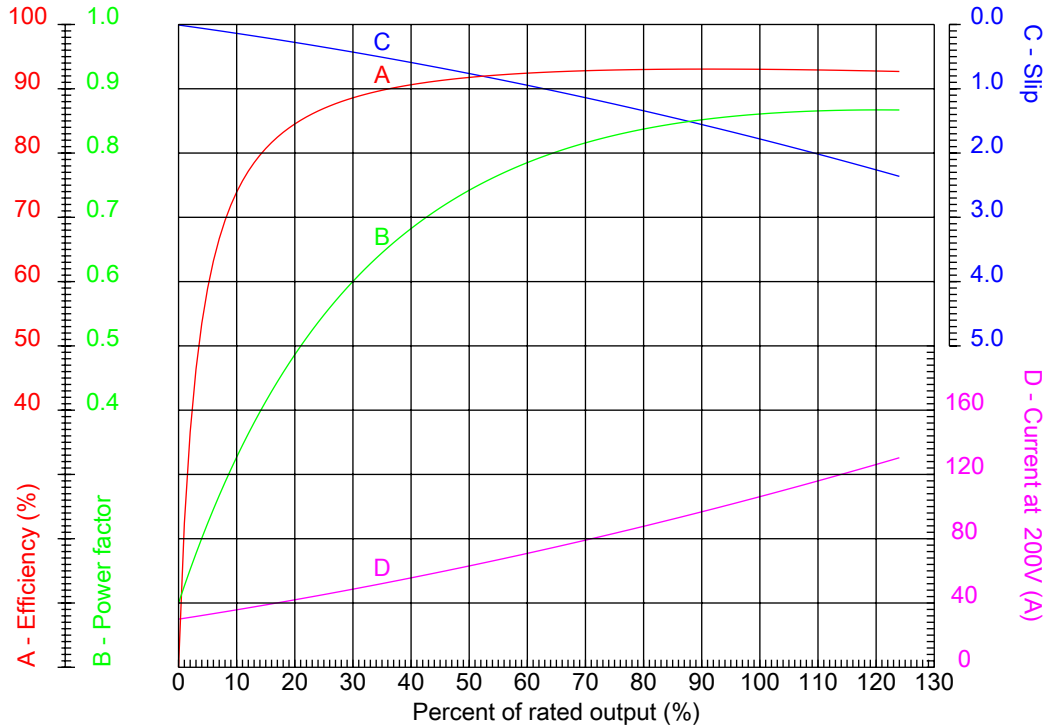
Dealers Industrial Equipment

No.:

Date: 23-SEP-2016

PERFORMANCE CURVES RELATED TO RATED OUTPUT

Three-phase induction motor - Squirrel cage rotor



Customer :
Product line : ODP – Open Induction Motors – NEMA Premium Efficiency

| | | | |
|------------------|--------------|--|---------|
| Frame | : 286TS | Locked rotor current (I _l /I _n) | : 6.4 |
| Output | : 40 HP | Duty cycle | : S1 |
| Frequency | : 60 Hz | Service factor | : 1.15 |
| Full load speed | : 3535 rpm | Design | : B |
| Voltage | : 200/400 V | Locked rotor torque | : 200 % |
| Rated current | : 108/54.2 A | Breakdown torque | : 260 % |
| Insulation class | : F | | |

Notes:
Downloaded from <http://dealerselectric.com>
Generated for Model #04036OT3V286TS

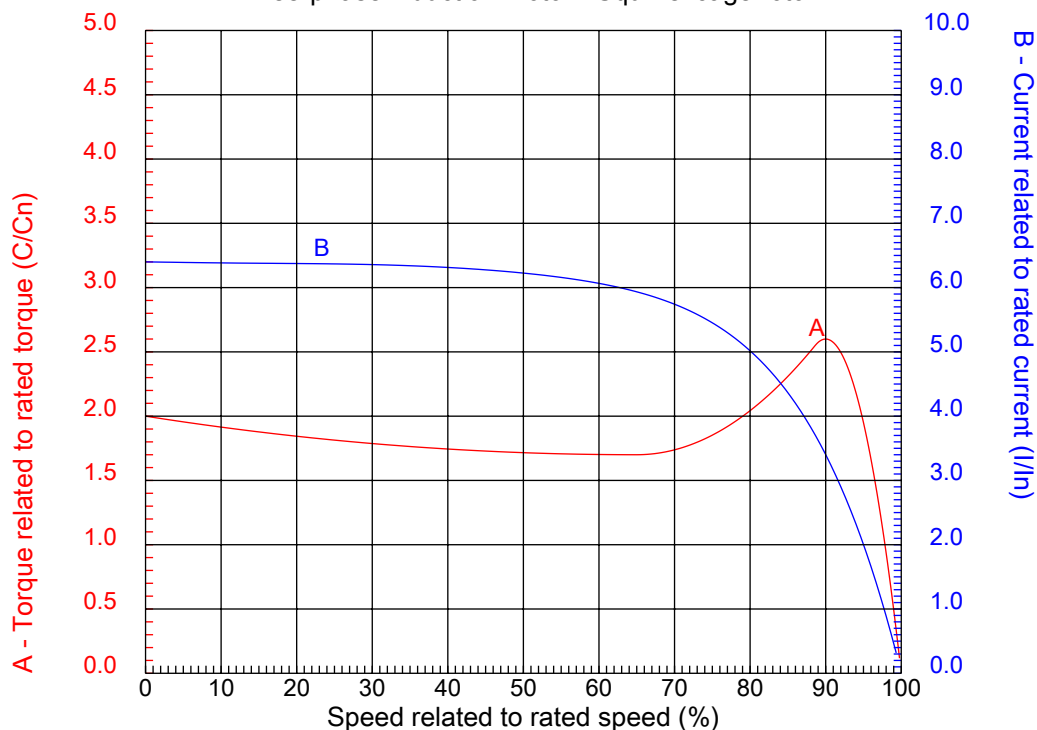
Performed by

Checked



CHARACTERISTIC CURVES RELATED TO SPEED

Three-phase induction motor - Squirrel cage rotor



Customer :
Product line : ODP – Open Induction Motors – NEMA Premium Efficiency

| | | | |
|------------------|--------------|--|---------|
| Frame | : 286TS | Locked rotor current (I _l /I _n) | : 6.4 |
| Output | : 40 HP | Duty cycle | : S1 |
| Frequency | : 60 Hz | Service factor | : 1.15 |
| Full load speed | : 3535 rpm | Design | : B |
| Voltage | : 200/400 V | Locked rotor torque | : 200 % |
| Rated current | : 108/54.2 A | Breakdown torque | : 260 % |
| Insulation class | : F | | |

Notes:
Downloaded from <http://dealerselectric.com>
Generated for Model #04036OT3V286TS

Performed by

Checked

1 2 3 4 5 6 7 8

A

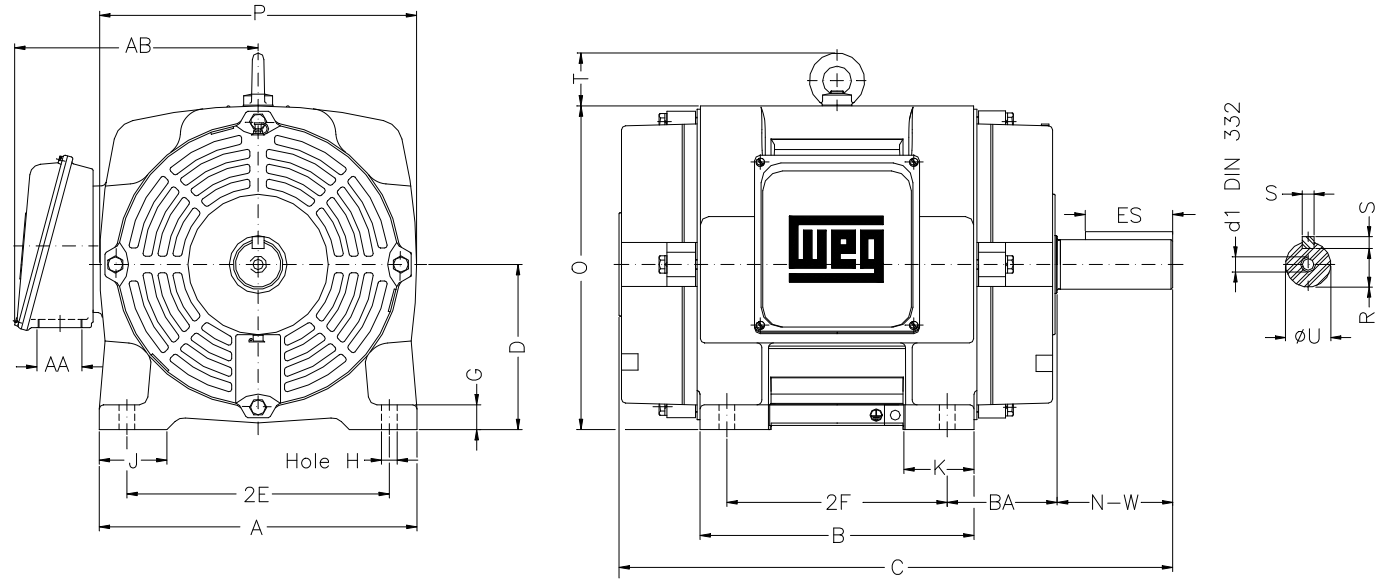
B

C

D

E

F



Notes: Downloaded from <http://dealerselectric.com>
Generated for Model #04036OT3V286TS

Performed by:

Checked:

Customer:

ODP – Open Induction Motors – NEMA Premium Efficiency

| | | | | |
|--------------------|--------------|------------------|-------------|--------------|
| 2E 11.000 | J 3.150 | A 13.780 | P 13.700 | AB 10.886 |
| 2F 11.000 | K 2.960 | B 13.070 | BA 4.750 | U 1.625 |
| d1 A 4 0.375 | N-W 3.250 | ES 2.480 | S 0.375 | R 1.416 |
| depth 0.375 | D 7.000 | G 1.102 | O 13.858 | T 2.165 |
| H 0.531 | C 23.504 | AA NPT 1 1/2" | | |

Three-phase induction motor
Frame 286TS - IP23

23-SEP-2016

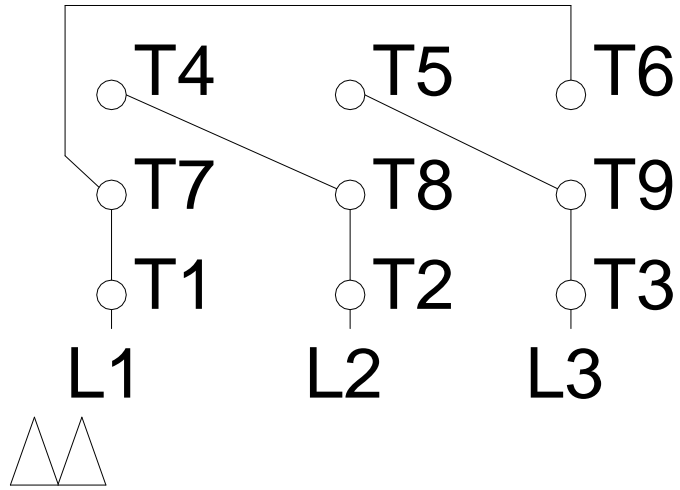



1 2 3 4 5 6 7 8

LOW VOLTAGE

HIGH VOLTAGE

A
B
C
D
E
F



| | | |
|---|-------------|---|
| Notes: Downloaded from http://dealerselectric.com Generated for Model #04036OT3V286TS | | |
| Performed by: | | |
| Checked: | | |
| Customer: | | |
| ODP – Open Induction Motors – NEMA Premium Efficiency | | |
| Three-phase induction motor Frame 286TS - IP23 | 23-SEP-2016 |  |