



Dealers Industrial Equipment

No.:

Date: 23-SEP-2016

Customer :

TECHNICAL PROPOSAL

Three-phase induction motor - Squirrel cage rotor

Product line : Fire Pump Motors - ODP Three Phase - Foot Mount and Flange Mount

Catalog Number : 04036OP3VFP286TSC

List Price : \$2,757

Notes:

Downloaded from <http://dealerselectric.com>

Generated for Model #04036OP3VFP286TSC

Performed by:

Checked:



Dealers Industrial Equipment

No.:

Date: 23-SEP-2016

DATA SHEET Three-phase induction motor - Squirrel cage rotor

Customer :
 Product line : Fire Pump Motors - ODP Three Phase - Foot Mount and Flange Mount

Frame : 286TS
 Output : 40 HP
 Frequency : 60 Hz
 Poles : 2
 Full load speed : 3535 rpm
 Slip : 1.81 %
 Voltage : 200/400 V
 Rated current : 106/53.0 A
 Locked rotor current : 626/313 A
 Locked rotor current (I_L/I_n) : 5.9
 No-load current : 27.1/13.6 A
 Full load torque : 58.6 lb.ft
 Locked rotor torque : 190 %
 Breakdown torque : 260 %
 Design : B
 Insulation class : F
 Temperature rise : 80 K
 Locked rotor time : 16 s (hot)
 Service factor : 1.15
 Duty cycle : S1
 Ambient temperature : -20°C - +40°C
 Altitude : 1000 m
 Degree of Protection : IP23
 Approximate weight : 359 lb
 Moment of inertia : 2.1552 sq.ft.lb
 Noise level : 73 dB(A)

	D.E.	N.D.E.
Bearings	6311 Z-C3	6211 Z-C3
Regreasing interval	20000 h	20000 h
Grease amount	18 g	11 g

Load	Power factor	Efficiency (%)
100%	0.89	91.7
75%	0.87	91.7
50%	0.81	91.7

Notes:
 Downloaded from <http://dealerselectric.com>
 Generated for Model #04036OP3VFP286TSC

Performed by

Checked



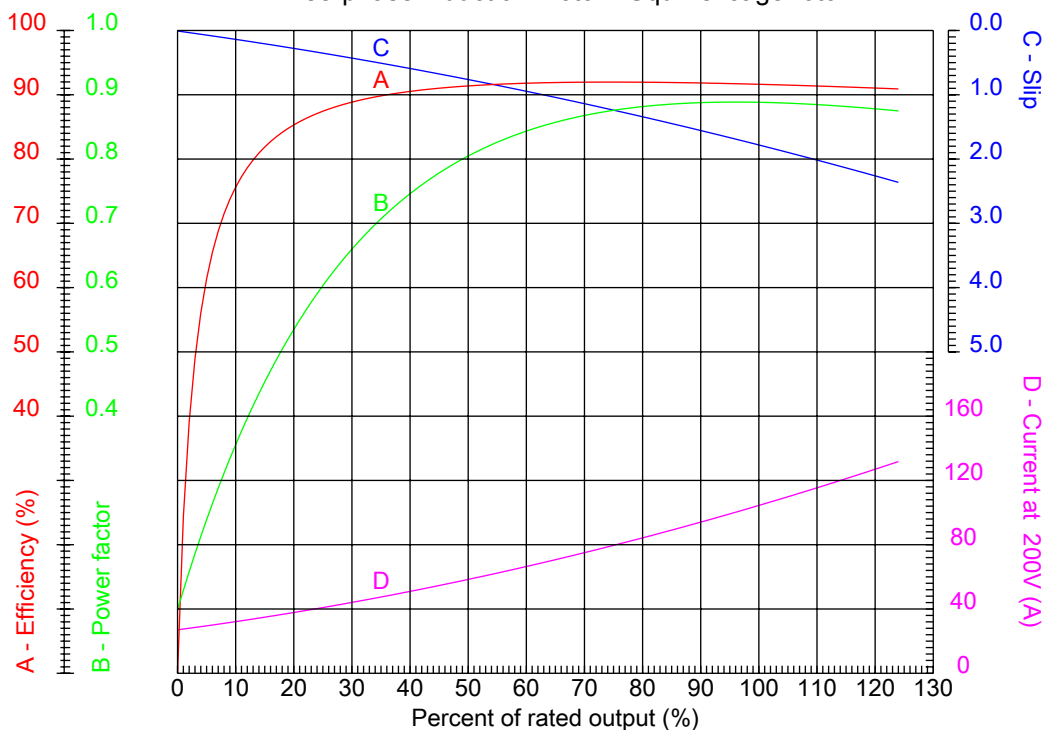
Dealers Industrial Equipment

No.:

Date: 23-SEP-2016

PERFORMANCE CURVES RELATED TO RATED OUTPUT

Three-phase induction motor - Squirrel cage rotor



Customer :
 Product line : Fire Pump Motors - ODP Three Phase - Foot Mount and Flange Mount

Frame	: 286TS	Locked rotor current (I _l /I _n)	: 5.9
Output	: 40 HP	Duty cycle	: S1
Frequency	: 60 Hz	Service factor	: 1.15
Full load speed	: 3535 rpm	Design	: B
Voltage	: 200/400 V	Locked rotor torque	: 190 %
Rated current	: 106/53.0 A	Breakdown torque	: 260 %
Insulation class	: F		

Notes:
 Downloaded from <http://dealerselectric.com>
 Generated for Model #04036OP3VFP286TSC

Performed by

Checked



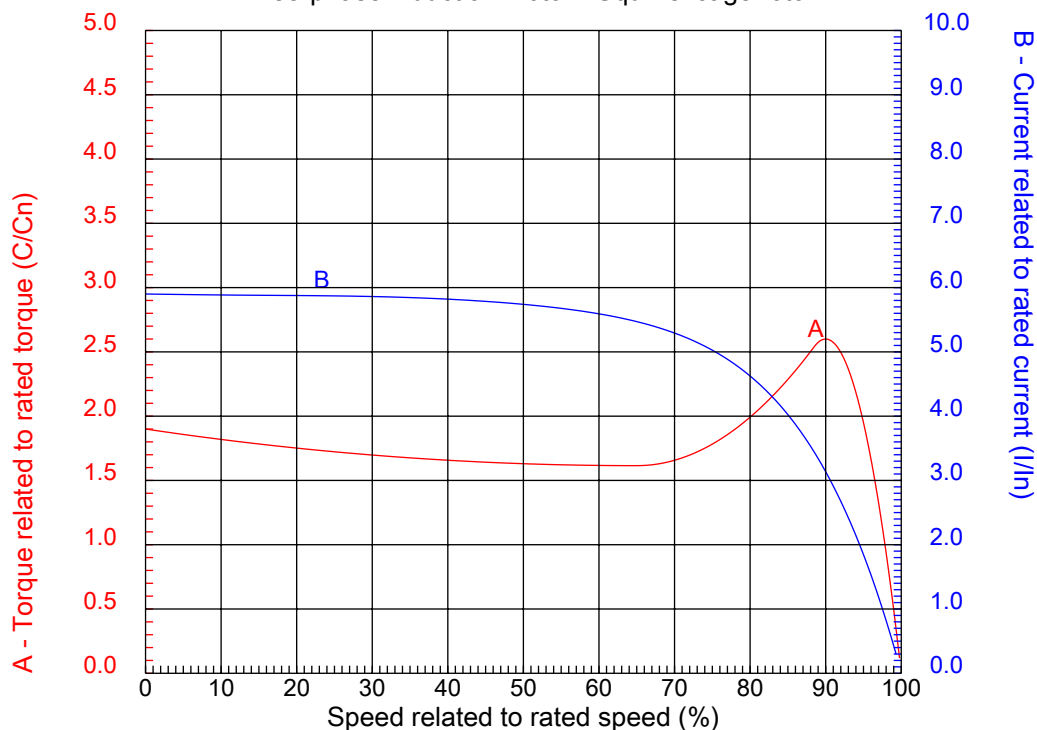
Dealers Industrial Equipment

No.:

Date: 23-SEP-2016

CHARACTERISTIC CURVES RELATED TO SPEED

Three-phase induction motor - Squirrel cage rotor



Customer :
Product line : Fire Pump Motors - ODP Three Phase - Foot Mount and Flange Mount

Frame	: 286TS	Locked rotor current (I _l /I _n)	: 5.9
Output	: 40 HP	Duty cycle	: S1
Frequency	: 60 Hz	Service factor	: 1.15
Full load speed	: 3535 rpm	Design	: B
Voltage	: 200/400 V	Locked rotor torque	: 190 %
Rated current	: 106/53.0 A	Breakdown torque	: 260 %
Insulation class	: F		

Notes:
Downloaded from <http://dealerselectric.com>
Generated for Model #04036OP3VFP286TSC

Performed by

Checked

1 2 3 4 5 6 7 8

A

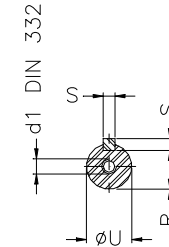
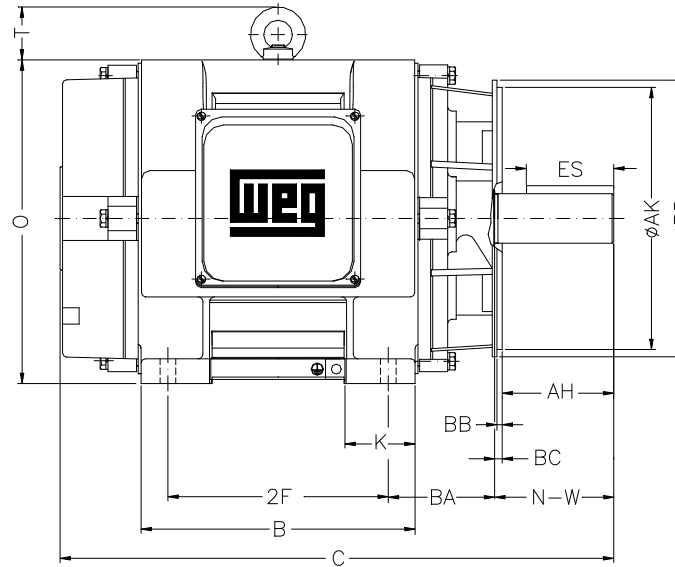
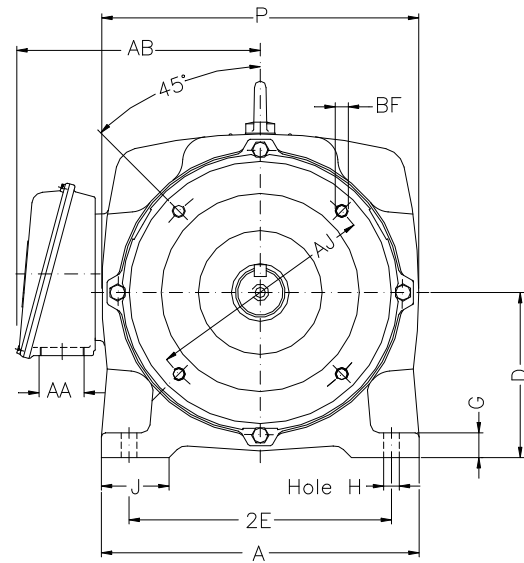
B

C

D

E

F



Notes: Downloaded from <http://dealerselectric.com>
Generated for Model #04036OP3VFP286TSC

2E 11.000	A 13.780	2F 11.000	B 13.070	BA 4.750
J 3.150	K 2.960	P 13.700	ES 2.480	depth 0.375
S 0.375	D 7.000	N-W 3.250	G 1.102	U 1.625
O 13.858	T 2.165	R 1.416	H 0.531	AB 10.886
C 23.504	AA NPT 1 1/2"	d1 A 4	Flange FC-228	AJ 9.000
AK 10.500	BD 11.031	BF UNC 1/2"x13	BB 0.250	BC 0.250
AH 3.000				

Performed by:

Checked:

Customer:

Fire Pump Motors - ODP Three Phase - Foot Mount and Flange Mount

Three-phase induction motor
Frame 286TS - IP23

23-SEP-2016

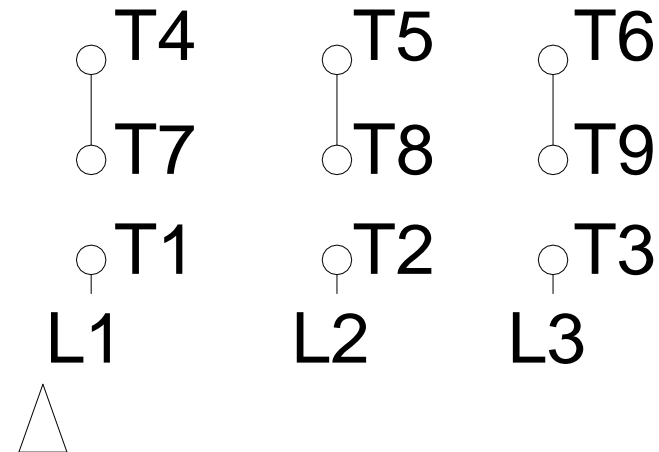


1 2 3 4 5 6 7 8

LOW VOLTAGE

HIGH VOLTAGE

A
B
C
D
E
F



Notes: Downloaded from http://dealerselectric.com Generated for Model #04036OP3VFP286TSC		
Performed by:		
Checked:		
Customer:		
Fire Pump Motors - ODP Three Phase - Foot Mount and Flange Mount		
Three-phase induction motor Frame 286TS - IP23	23-SEP-2016	