



# Dealers Industrial Equipment

No.:

Date: 23-SEP-2016

Customer :

## TECHNICAL PROPOSAL

### Three-phase induction motor - Squirrel cage rotor

Product line : Close Coupled Pump : Three-Phase - "JP" Type - ODP - High Efficiency - Vertical Motors

Catalog Number : 04036OP3E286JPV

List Price : \$3,611

#### Notes:

Downloaded from <http://dealerselectric.com>

Generated for Model #04036OP3E286JPV

Performed by:

Checked:



# Dealers Industrial Equipment

No.:

Date: 23-SEP-2016

## DATA SHEET

### Three-phase induction motor - Squirrel cage rotor

Customer :  
 Product line : Close Coupled Pump : Three-Phase - "JP" Type - ODP - High Efficiency - Vertical Motors

Frame : 286JP  
 Output : 40 HP  
 Frequency : 60 Hz  
 Poles : 2  
 Full load speed : 3535 rpm  
 Slip : 1.81 %  
 Voltage : 230/460 V  
 Rated current : 92.2/46.1 A  
 Locked rotor current : 544/272 A  
 Locked rotor current (I<sub>L</sub>/I<sub>n</sub>) : 5.9  
 No-load current : 23.6/11.8 A  
 Full load torque : 58.6 lb.ft  
 Locked rotor torque : 190 %  
 Breakdown torque : 260 %  
 Design : B  
 Insulation class : F  
 Temperature rise : 80 K  
 Locked rotor time : 16 s (hot)  
 Service factor : 1.15  
 Duty cycle : S1  
 Ambient temperature : -20°C - +40°C  
 Altitude : 1000 m  
 Degree of Protection : IP23  
 Approximate weight : 417 lb  
 Moment of inertia : 2.1552 sq.ft.lb  
 Noise level : 73 dB(A)

	D.E.	N.D.E.	Load	Power factor	Efficiency (%)
Bearings	6311 Z-C3	6211 Z-C3	100%	0.89	91.7
Regreasing interval	10000 h	10000 h	75%	0.87	91.7
Grease amount	18 g	11 g	50%	0.81	91.7

Notes:  
 Downloaded from <http://dealerselectric.com>  
 Generated for Model #04036OP3E286JPV

Performed by

Checked



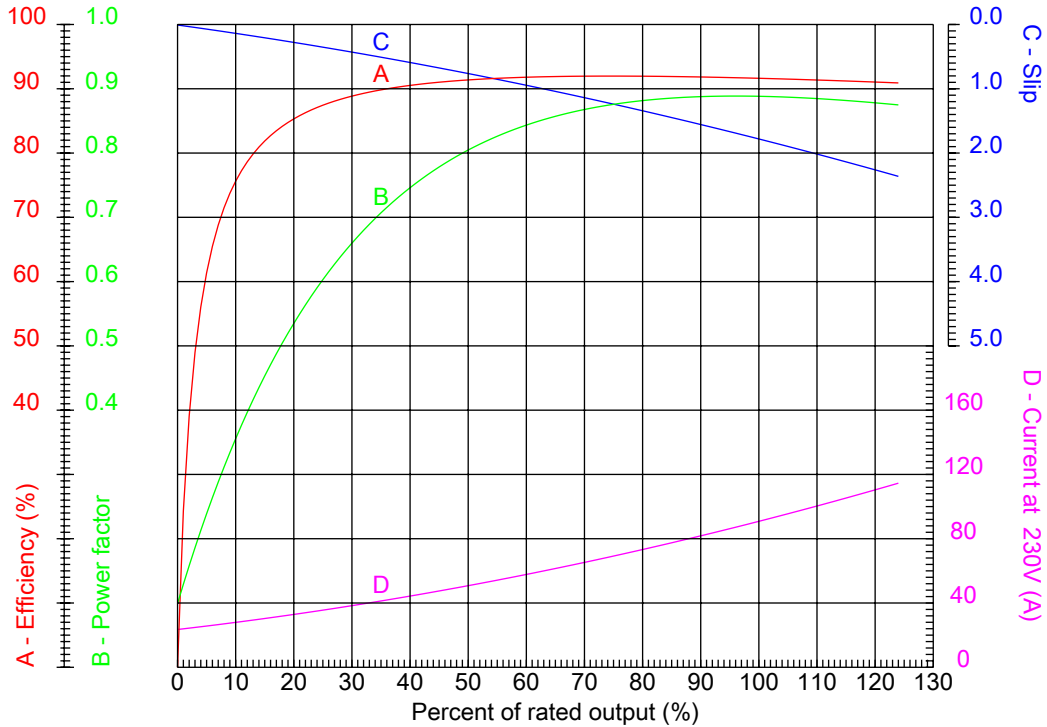
# Dealers Industrial Equipment

No.:

Date: 23-SEP-2016

## PERFORMANCE CURVES RELATED TO RATED OUTPUT

Three-phase induction motor - Squirrel cage rotor



Customer :  
 Product line : Close Coupled Pump : Three-Phase - "JP" Type - ODP - High Efficiency - Vertical Motors

Frame	: 286JP	Locked rotor current (I <sub>l</sub> /I <sub>n</sub> )	: 5.9
Output	: 40 HP	Duty cycle	: S1
Frequency	: 60 Hz	Service factor	: 1.15
Full load speed	: 3535 rpm	Design	: B
Voltage	: 230/460 V	Locked rotor torque	: 190 %
Rated current	: 92.2/46.1 A	Breakdown torque	: 260 %
Insulation class	: F		

Notes:  
 Downloaded from <http://dealerselectric.com>  
 Generated for Model #04036OP3E286JPV

Performed by

Checked



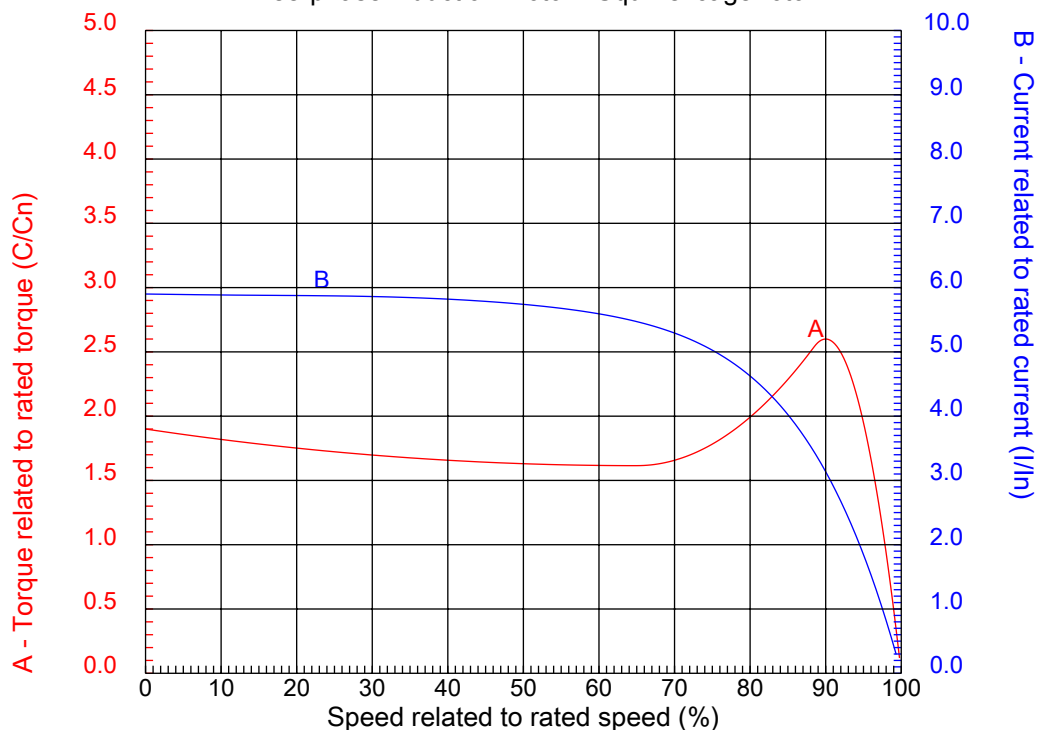
# Dealers Industrial Equipment

No.:

Date: 23-SEP-2016

## CHARACTERISTIC CURVES RELATED TO SPEED

Three-phase induction motor - Squirrel cage rotor



Customer :  
Product line : Close Coupled Pump : Three-Phase - "JP" Type - ODP - High Efficiency - Vertical Motors

Frame	: 286JP	Locked rotor current (I <sub>l</sub> /I <sub>n</sub> )	: 5.9
Output	: 40 HP	Duty cycle	: S1
Frequency	: 60 Hz	Service factor	: 1.15
Full load speed	: 3535 rpm	Design	: B
Voltage	: 230/460 V	Locked rotor torque	: 190 %
Rated current	: 92.2/46.1 A	Breakdown torque	: 260 %
Insulation class	: F		

Notes:  
Downloaded from <http://dealerselectric.com>  
Generated for Model #04036OP3E286JPV

Performed by

Checked

1 2 3 4 5 6 7 8

A

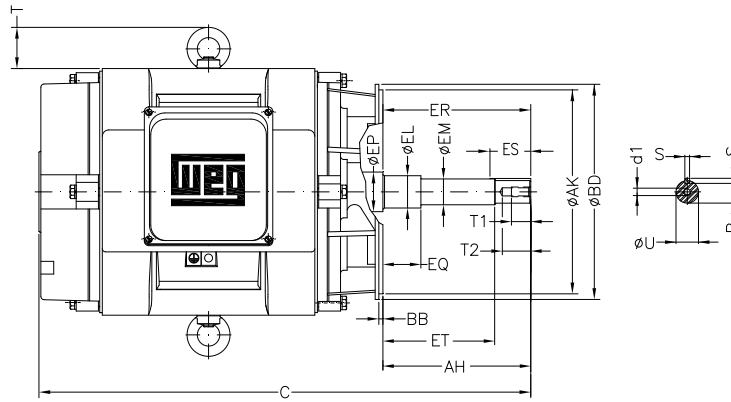
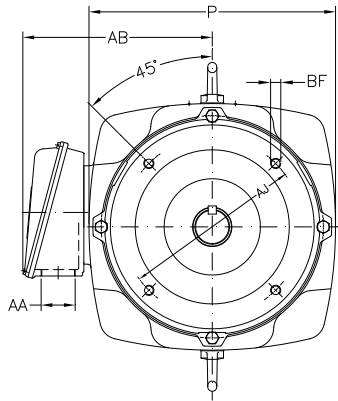
B

C

D

E

F



Notes: Downloaded from <http://dealerselectric.com>  
Generated for Model #04036OP3E286JPV

Performed by:

Checked:

Customer:

Close Coupled Pump : Three-Phase - "JP" Type - ODP - High Efficiency - Vertical

Three-phase induction motor  
Frame 286JP - IP23

23-SEP-2016



P 13.700	AB 10.866	AA NPT 1 1/2"	ER 8.130	EQ 2.382
ET 5.886	U 1.249	EM 1.375	EL 1.750	S 0.250
EP 2.163	R 1.110	ES 2.559	d1 EUNC 1/2"-13	t1 0.984
t2 1.496	C 28.634	Flange FC-279	AJ 11.000	AK 12.500
BD 14.000	BF UNC 5/8"x11	BB 0.250	AH 8.130	

1 2 3 4 5 6 7 8

A  
B  
C  
D  
E  
F

LOW VOLTAGE

HIGH VOLTAGE



CONNECTIONS FOR STARTING ONLY:

LOW VOLTAGE

HIGH VOLTAGE



Notes: Downloaded from <http://dealerselectric.com>  
Generated for Model #04036OP3E286JPV

Performed by:

Checked:

Customer:

Close Coupled Pump : Three-Phase - "JP" Type - ODP - High Efficiency - Vertical

Three-phase induction motor  
Frame 286JP - IP23

23-SEP-2016

