



Dealers Industrial Equipment

No.:

Date: 23-SEP-2016

Customer :

TECHNICAL PROPOSAL

Three-phase induction motor - Squirrel cage rotor

Product line : W22 Cooling Tower Motors: NEMA Premium - TEFC

Catalog Number : 04018ET3HCT324T-W22

List Price : \$4,805

Notes:

Downloaded from <http://dealerselectric.com>

Generated for Model #04018ET3HCT324T-W22

Performed by:

Checked:



Dealers Industrial Equipment

No.:

Date: 23-SEP-2016

DATA SHEET Three-phase induction motor - Squirrel cage rotor

Customer :
 Product line : W22 Cooling Tower Motors: NEMA Premium - TEFC

Frame : 324T
 Output : 40 HP
 Frequency : 60 Hz
 Poles : 4
 Full load speed : 1775 rpm
 Slip : 1.39 %
 Voltage : 575 V
 Rated current : 37.7 A
 Locked rotor current : 230 A
 Locked rotor current (I_L/I_n) : 6.1
 No-load current : 12.8 A
 Full load torque : 117 lb.ft
 Locked rotor torque : 220 %
 Breakdown torque : 240 %
 Design : B
 Insulation class : F
 Temperature rise : 80 K
 Locked rotor time : 20 s (hot)
 Service factor : 1.25
 Duty cycle : S1
 Ambient temperature : -20°C - +40°C
 Altitude : 1000 m
 Degree of Protection : IP55
 Approximate weight : 492 lb
 Moment of inertia : 9.1624 sq.ft.lb
 Noise level : 66 dB(A)

| | D.E. | N.D.E. |
|---------------------|-------------|-------------|
| Bearings | 6312 2RS-C3 | 6212 2RS-C3 |
| Regreasing interval | --- | --- |
| Grease amount | --- | --- |

| Load | Power factor | Efficiency (%) |
|------|--------------|----------------|
| 100% | 0.85 | 94.1 |
| 75% | 0.80 | 94.1 |
| 50% | 0.72 | 93.6 |

Notes:
 Downloaded from <http://dealerselectric.com>
 Generated for Model #04018ET3HCT324T-W22

Performed by

Checked



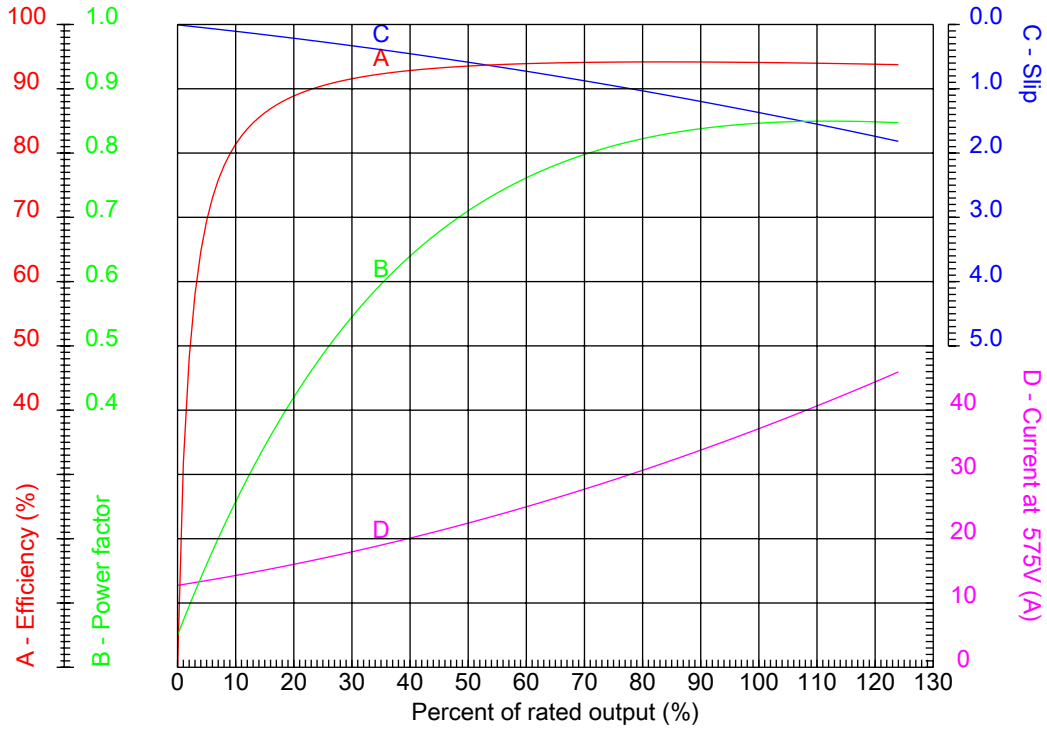
Dealers Industrial Equipment

No.:

Date: 23-SEP-2016

PERFORMANCE CURVES RELATED TO RATED OUTPUT

Three-phase induction motor - Squirrel cage rotor



Customer :
 Product line : W22 Cooling Tower Motors: NEMA Premium - TEFC

| | |
|----------------------------|--|
| Frame : 324T | Locked rotor current (I _L /I _n) : 6.1 |
| Output : 40 HP | Duty cycle : S1 |
| Frequency : 60 Hz | Service factor : 1.25 |
| Full load speed : 1775 rpm | Design : B |
| Voltage : 575 V | Locked rotor torque : 220 % |
| Rated current : 37.7 A | Breakdown torque : 240 % |
| Insulation class : F | |

Notes:
 Downloaded from <http://dealerselectric.com>
 Generated for Model #04018ET3HCT324T-W22

Performed by

Checked



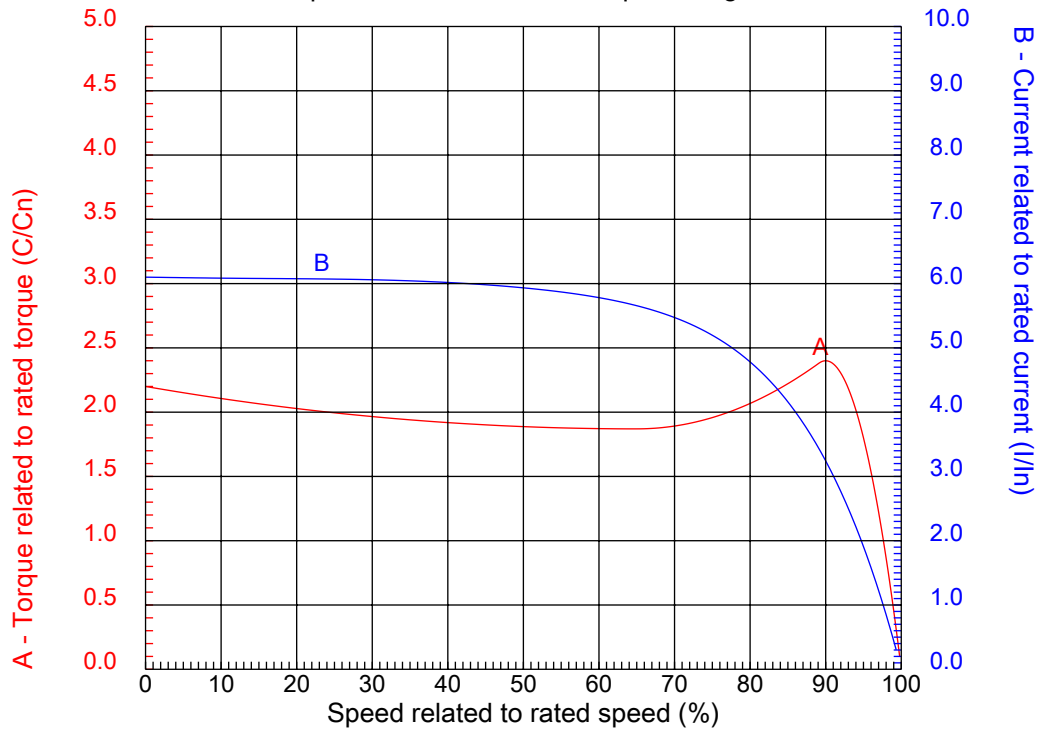
Dealers Industrial Equipment

No.:

Date: 23-SEP-2016

CHARACTERISTIC CURVES RELATED TO SPEED

Three-phase induction motor - Squirrel cage rotor



Customer :
Product line : W22 Cooling Tower Motors: NEMA Premium - TEFC

| | | | |
|------------------|------------|--|---------|
| Frame | : 324T | Locked rotor current (I _l /I _n) | : 6.1 |
| Output | : 40 HP | Duty cycle | : S1 |
| Frequency | : 60 Hz | Service factor | : 1.25 |
| Full load speed | : 1775 rpm | Design | : B |
| Voltage | : 575 V | Locked rotor torque | : 220 % |
| Rated current | : 37.7 A | Breakdown torque | : 240 % |
| Insulation class | : F | | |

Notes:
Downloaded from <http://dealerselectric.com>
Generated for Model #04018ET3HCT324T-W22

Performed by

Checked

1 2 3 4 5 6 7 8

A

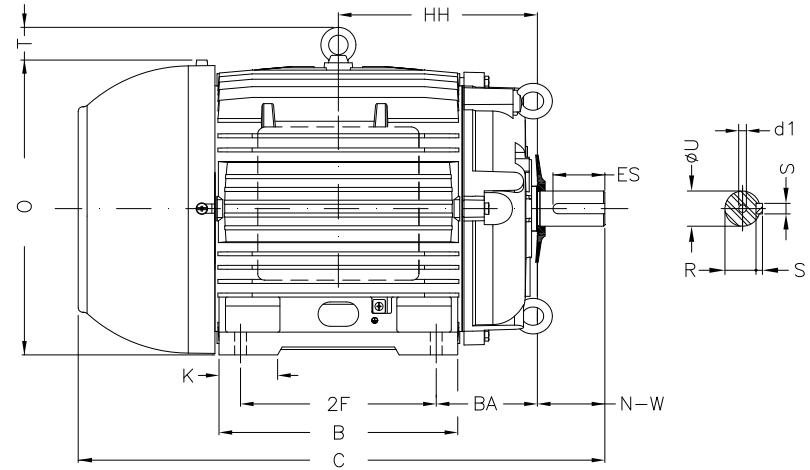
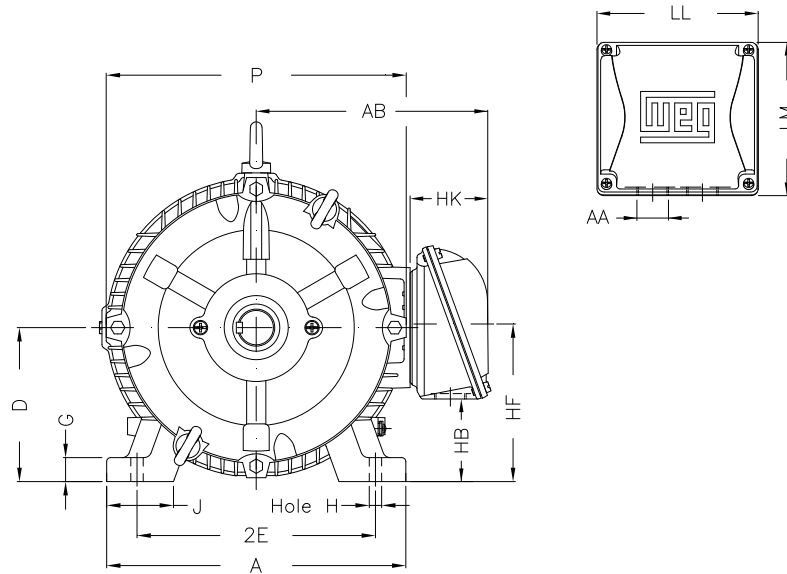
B

C

D

E

F



Notes: Downloaded from <http://dealerselectric.com>
Generated for Model #04018ET3HCT324T-W22

Performed by:

Checked:

Customer:

W22 Cooling Tower Motors: NEMA Premium - TEFC

Three-phase induction motor
Frame 324T - IP55

23-SEP-2016



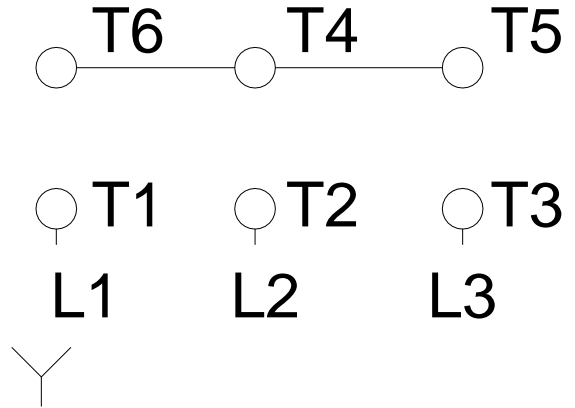
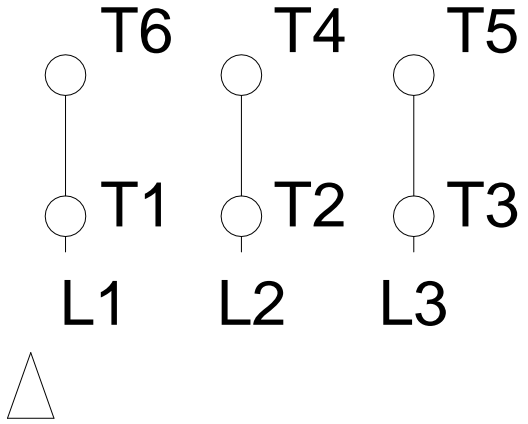
| | | | | |
|--------------|--------------|--------------|-------------|----------------|
| 2E 12.500 | J 3.189 | A 15.157 | P 14.961 | AB 12.575 |
| 2F 10.500 | K 4.055 | B 13.071 | BA 5.250 | U 2.125 |
| N-W 5.250 | ES 3.937 | S 0.500 | R 1.844 | depth 0.500 |
| D 8.000 | G 1.300 | HB 4.811 | O 15.953 | T 2.441 |
| HF 8.708 | HH 10.500 | HK 4.705 | H 0.657 | C 29.620 |
| LL 9.055 | LM 8.661 | AA NPT 2" | d1 A 4 | d2 A 4 |

1 2 3 4 5 6 7 8

A
B
C
D
E
F

RUN

ONLY FOR START



| | | |
|--|-------------|--|
| Notes: Downloaded from http://dealerselectric.com Generated for Model #04018ET3HCT324T-W22 | | |
| Performed by: | | |
| Checked: | | |
| Customer: | | |
| W22 Cooling Tower Motors: NEMA Premium - TEFC | | |
| Three-phase induction motor Frame 324T - IP55 | 23-SEP-2016 | |