



# Dealers Industrial Equipment

No.:

Date: 23-SEP-2016

Customer :

## TECHNICAL PROPOSAL

### Three-phase induction motor - Squirrel cage rotor

Product line : W22 General Purpose TEFC

Catalog Number : 04018ET3H324T-W22G

List Price : \$4,578

#### Notes:

Downloaded from <http://dealerselectric.com>

Generated for Model #04018ET3H324T-W22G

Performed by:

Checked:



# Dealers Industrial Equipment

No.:

Date: 23-SEP-2016

## DATA SHEET Three-phase induction motor - Squirrel cage rotor

Customer :  
Product line : W22 General Purpose TEFC

Frame : 324/6T  
Output : 40 HP  
Frequency : 60 Hz  
Poles : 4  
Full load speed : 1775 rpm  
Slip : 1.39 %  
Voltage : 575 V  
Rated current : 37.7 A  
Locked rotor current : 230 A  
Locked rotor current (I<sub>L</sub>/I<sub>n</sub>) : 6.1  
No-load current : 12.8 A  
Full load torque : 117 lb.ft  
Locked rotor torque : 220 %  
Breakdown torque : 240 %  
Design : B  
Insulation class : F  
Temperature rise : 80 K  
Locked rotor time : 20 s (hot)  
Service factor : 1.25  
Duty cycle : S1  
Ambient temperature : -20°C - +40°C  
Altitude : 1000 m  
Degree of Protection : IP55  
Approximate weight : 492 lb  
Moment of inertia : 9.1624 sq.ft.lb  
Noise level : 66 dB(A)

	D.E.	N.D.E.
Bearings	6312 C3	6212 C3
Regreasing interval	20000 h	20000 h
Grease amount	21 g	13 g

Load	Power factor	Efficiency (%)
100%	0.85	94.1
75%	0.80	94.1
50%	0.72	93.6

Notes:  
Downloaded from <http://dealerselectric.com>  
Generated for Model #04018ET3H324T-W22G

Performed by

Checked



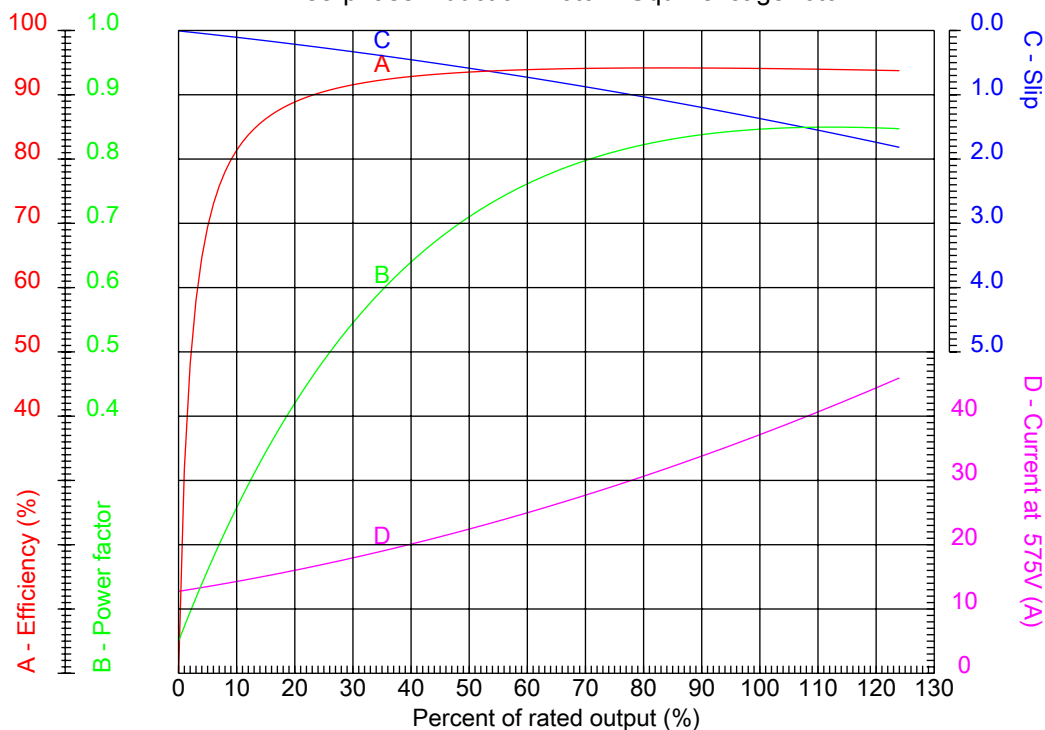
# Dealers Industrial Equipment

No.:

Date: 23-SEP-2016

## PERFORMANCE CURVES RELATED TO RATED OUTPUT

Three-phase induction motor - Squirrel cage rotor



Customer :  
Product line : W22 General Purpose TEFC

Frame : 324/6T	Locked rotor current (I <sub>l</sub> /I <sub>n</sub> ) : 6.1
Output : 40 HP	Duty cycle : S1
Frequency : 60 Hz	Service factor : 1.25
Full load speed : 1775 rpm	Design : B
Voltage : 575 V	Locked rotor torque : 220 %
Rated current : 37.7 A	Breakdown torque : 240 %
Insulation class : F	

Notes:  
Downloaded from <http://dealerselectric.com>  
Generated for Model #04018ET3H324T-W22G

Performed by

Checked



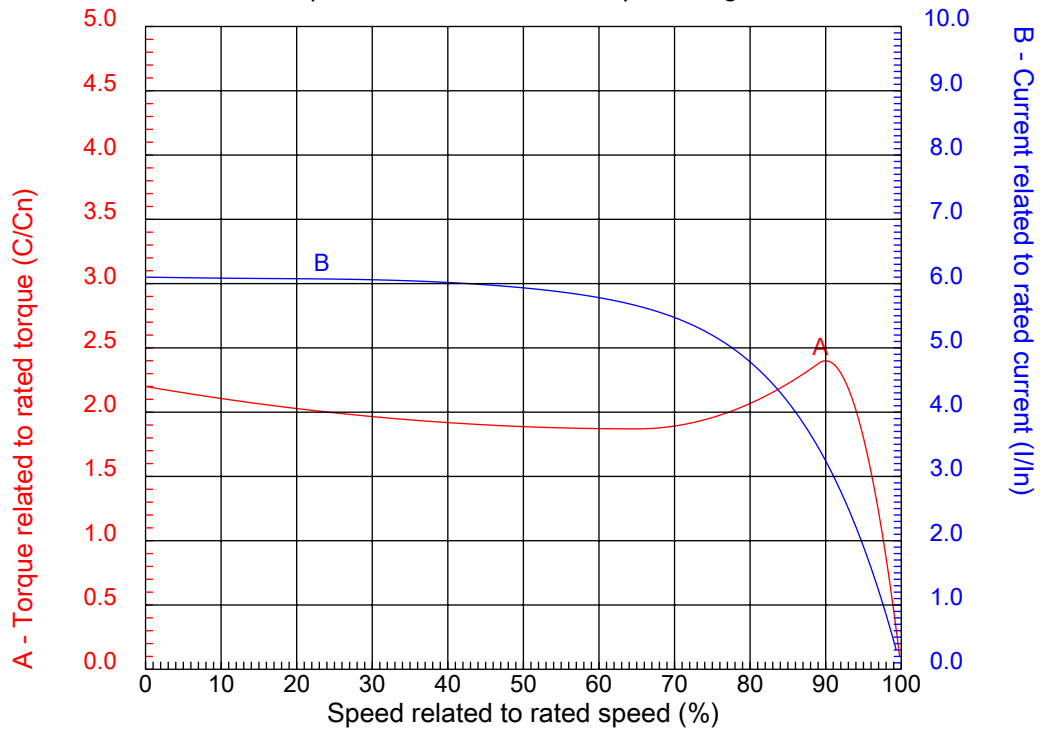
# Dealers Industrial Equipment

No.:

Date: 23-SEP-2016

## CHARACTERISTIC CURVES RELATED TO SPEED

Three-phase induction motor - Squirrel cage rotor



Customer :  
Product line : W22 General Purpose TEFC

Frame	: 324/6T	Locked rotor current (I <sub>l</sub> /I <sub>n</sub> )	: 6.1
Output	: 40 HP	Duty cycle	: S1
Frequency	: 60 Hz	Service factor	: 1.25
Full load speed	: 1775 rpm	Design	: B
Voltage	: 575 V	Locked rotor torque	: 220 %
Rated current	: 37.7 A	Breakdown torque	: 240 %
Insulation class	: F		

Notes:  
Downloaded from <http://dealerselectric.com>  
Generated for Model #04018ET3H324T-W22G

Performed by

Checked

1 2 3 4 5 6 7 8

A

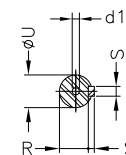
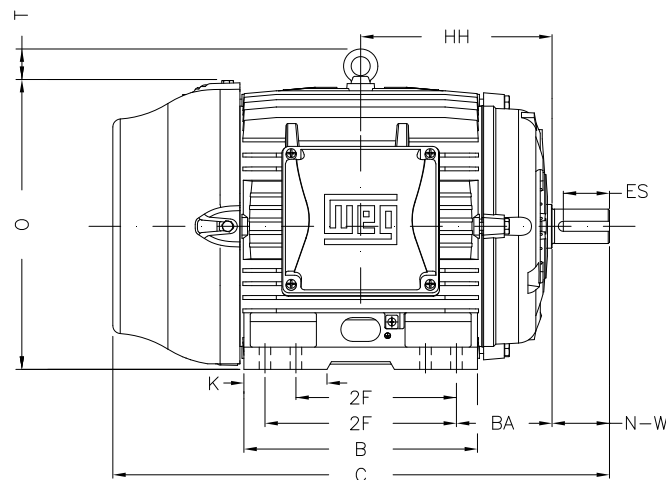
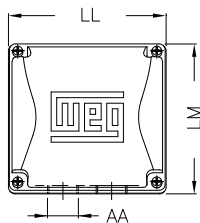
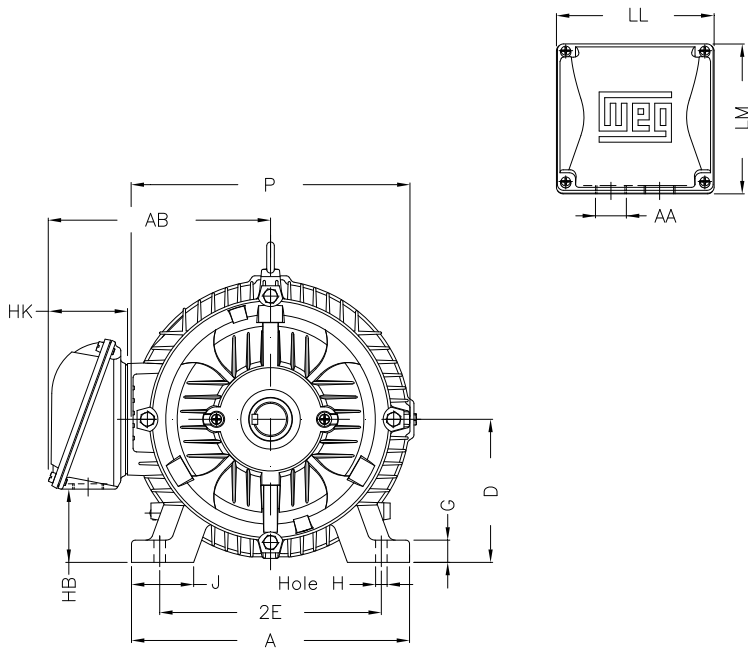
B

C

D

E

F



Notes: Downloaded from <http://dealerselectric.com>  
Generated for Model #04018ET3H324T-W22G

2E 12.500	J 3.189	A 15.157	P 15.827	AB 12.575
2F 10.500/12.000	K 4.055	B 14.567	BA 5.250	FBA 8.738
U 2.125	N-W 5.250	ES 3.937	S 0.500	R 1.844
depth 0.500	D 8.000	G 1.300	HB 4.811	O 15.953
T 2.441	HF 8.708	HH 11.250	HK 4.705	H 0.657
C 31.116	FC 35.860	LL 9.055	LM 8.661	AA NPT 2"
d1 A 4				

Performed by:

Checked:

Customer:

W22 General Purpose TEFC

Three-phase induction motor  
Frame 324/6T - IP55

23-SEP-2016



1 2 3 4 5 6 7 8

A

B

C

D

E

F



Notes: Downloaded from <http://dealerselectric.com>  
Generated for Model #04018ET3H324T-W22G

Performed by:

Checked:

Customer:

W22 General Purpose TEFC

Three-phase induction motor  
Frame 324/6T - IP55

23-SEP-2016

