



Dealers Industrial Equipment

No.:

Date: 23-SEP-2016

Customer :

TECHNICAL PROPOSAL

Three-phase induction motor - Squirrel cage rotor

Product line : W22 Cooling Tower Motors: NEMA Premium - TEFC

Catalog Number : 04018ET3ECT324T-W22

List Price : \$4,805

Notes:

Downloaded from <http://dealerselectric.com>

Generated for Model #04018ET3ECT324T-W22

Performed by:

Checked:



Dealers Industrial Equipment

No.:

Date: 23-SEP-2016

### DATA SHEET Three-phase induction motor - Squirrel cage rotor

Customer :  
Product line : W22 Cooling Tower Motors: NEMA Premium - TEFC

Frame : 324T  
Output : 40 HP  
Frequency : 60 Hz  
Poles : 4  
Full load speed : 1775 rpm  
Slip : 1.39 %  
Voltage : 208-230/460 V  
Rated current : 104-94.2/47.1 A  
Locked rotor current : 575/287 A  
Locked rotor current (I<sub>L</sub>/I<sub>n</sub>) : 6.1  
No-load current : 32.0/16.0 A  
Full load torque : 117 lb.ft  
Locked rotor torque : 220 %  
Breakdown torque : 240 %  
Design : B  
Insulation class : F  
Temperature rise : 80 K  
Locked rotor time : 20 s (hot)  
Service factor : 1.25  
Duty cycle : S1  
Ambient temperature : -20°C - +40°C  
Altitude : 1000 m  
Degree of Protection : IP55  
Approximate weight : 492 lb  
Moment of inertia : 9.1624 sq.ft.lb  
Noise level : 66 dB(A)

	D.E.	N.D.E.
Bearings	6312 2RS-C3	6212 2RS-C3
Regreasing interval	---	---
Grease amount	---	---

Load	Power factor	Efficiency (%)
100%	0.85	94.1
75%	0.80	94.1
50%	0.72	93.6

Notes:  
Downloaded from <http://dealerselectric.com>  
Generated for Model #04018ET3ECT324T-W22

Performed by

Checked



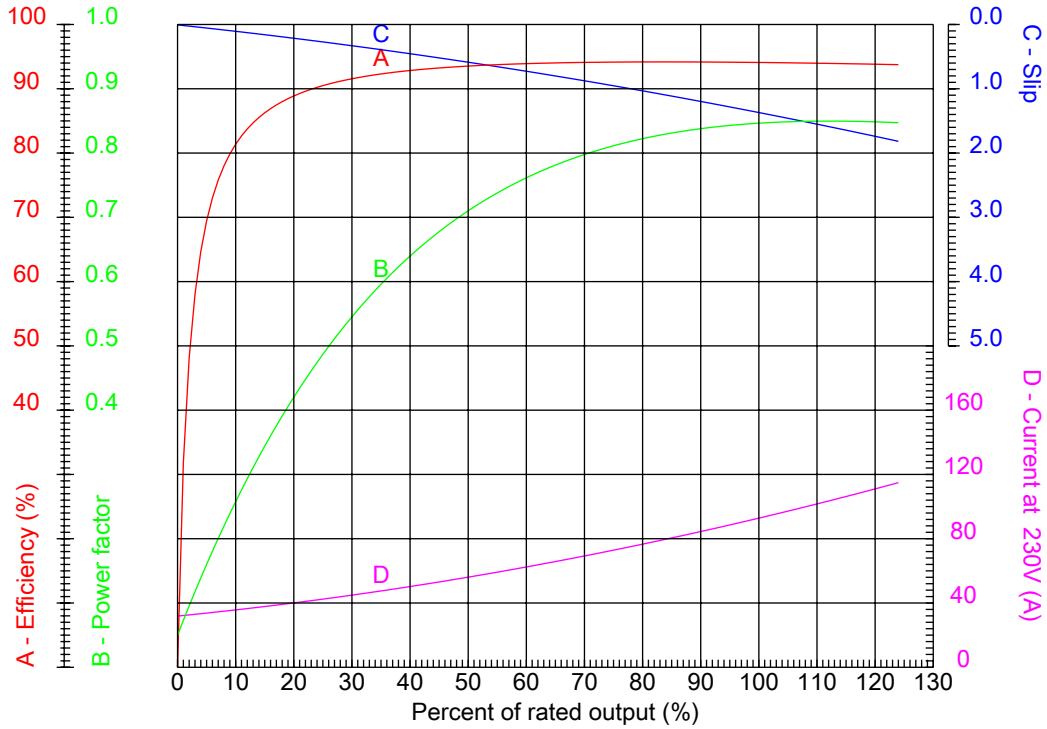
# Dealers Industrial Equipment

No.:

Date: 23-SEP-2016

## PERFORMANCE CURVES RELATED TO RATED OUTPUT

Three-phase induction motor - Squirrel cage rotor



Customer :  
 Product line : W22 Cooling Tower Motors: NEMA Premium - TEFC

Frame : 324T	Locked rotor current (I <sub>L</sub> /I <sub>n</sub> ) : 6.1
Output : 40 HP	Duty cycle : S1
Frequency : 60 Hz	Service factor : 1.25
Full load speed : 1775 rpm	Design : B
Voltage : 208-230/460 V	Locked rotor torque : 220 %
Rated current : 104-94.2/47.1 A	Breakdown torque : 240 %
Insulation class : F	

Notes:  
 Downloaded from <http://dealerselectric.com>  
 Generated for Model #04018ET3ECT324T-W22

Performed by

Checked



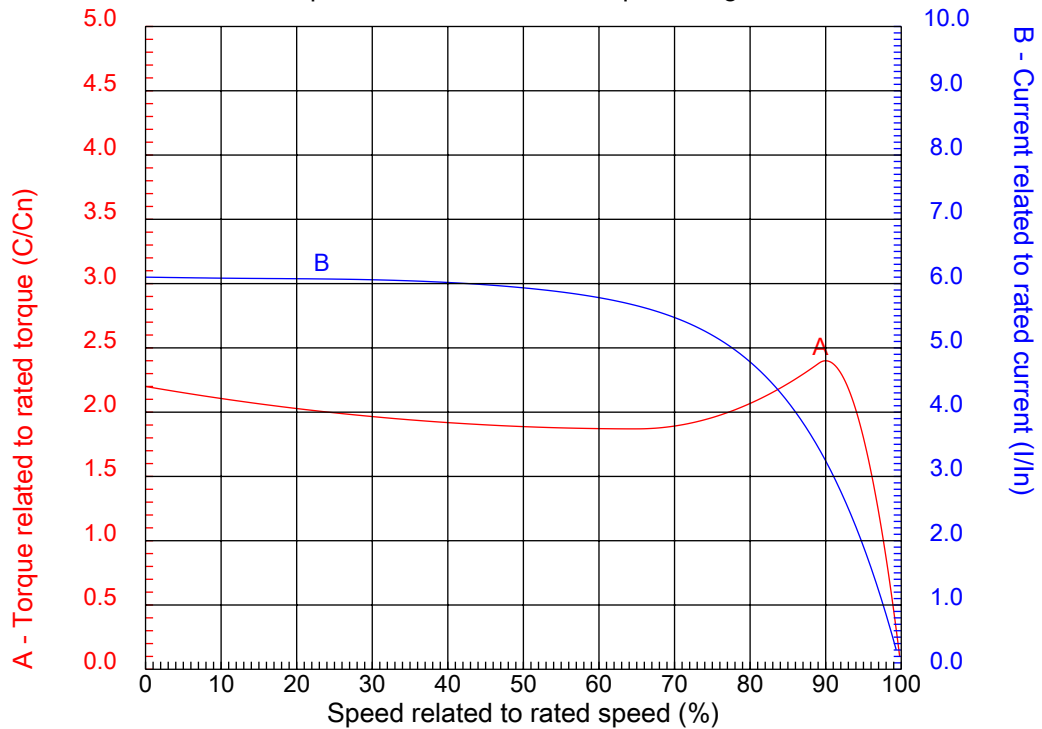
# Dealers Industrial Equipment

No.:

Date: 23-SEP-2016

## CHARACTERISTIC CURVES RELATED TO SPEED

Three-phase induction motor - Squirrel cage rotor



Customer :  
Product line : W22 Cooling Tower Motors: NEMA Premium - TEFC

Frame	: 324T	Locked rotor current (I <sub>l</sub> /I <sub>n</sub> )	: 6.1
Output	: 40 HP	Duty cycle	: S1
Frequency	: 60 Hz	Service factor	: 1.25
Full load speed	: 1775 rpm	Design	: B
Voltage	: 208-230/460 V	Locked rotor torque	: 220 %
Rated current	: 104-94.2/47.1 A	Breakdown torque	: 240 %
Insulation class	: F		

Notes:  
Downloaded from <http://dealerselectric.com>  
Generated for Model #04018ET3ECT324T-W22

Performed by

Checked

1 2 3 4 5 6 7 8

A

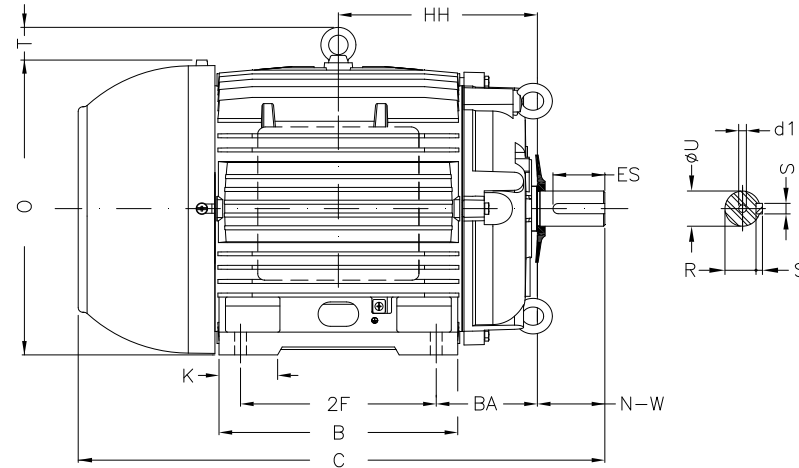
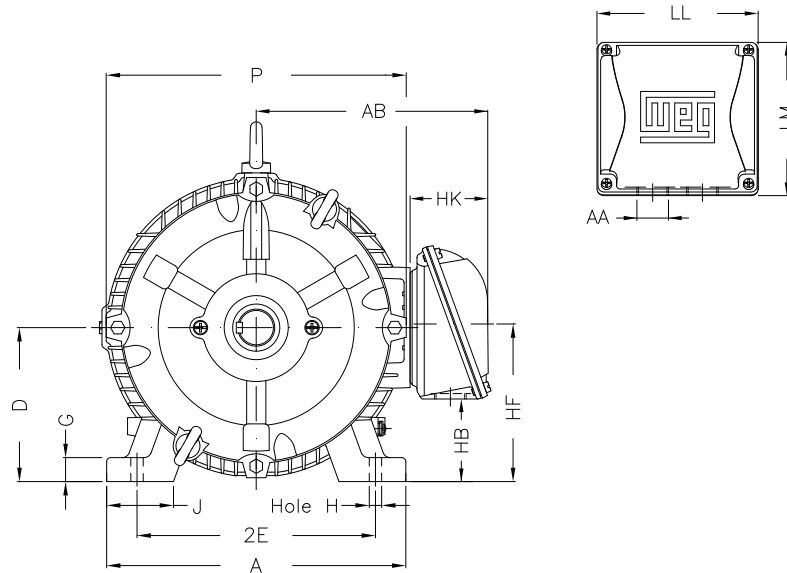
B

C

D

E

F



Notes: Downloaded from <http://dealerselectric.com>  
Generated for Model #04018ET3ECT324T-W22

Performed by:

Checked:

Customer:

W22 Cooling Tower Motors: NEMA Premium - TEFC

Three-phase induction motor  
Frame 324T - IP55

23-SEP-2016



2E 12.500	J 3.189	A 15.157	P 14.961	AB 12.575
2F 10.500	K 4.055	B 13.071	BA 5.250	U 2.125
N-W 5.250	ES 3.937	S 0.500	R 1.844	depth 0.500
D 8.000	G 1.300	HB 4.811	O 15.953	T 2.441
HF 8.708	HH 10.500	HK 4.705	H 0.657	C 29.620
LL 9.055	LM 8.661	AA NPT 2"	d1 A 4	d2 A 4

1 2 3 4 5 6 7 8

A  
B  
C  
D  
E  
F

LOW VOLTAGE

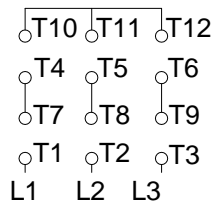
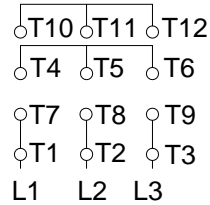
HIGH VOLTAGE



CONNECTIONS FOR STARTING ONLY:

LOW VOLTAGE

HIGH VOLTAGE



Notes: Downloaded from <http://dealerselectric.com>  
Generated for Model #04018ET3ECT324T-W22

Performed by:

Checked:

Customer:

W22 Cooling Tower Motors: NEMA Premium - TEFC

Three-phase induction motor  
Frame 324T - IP55

23-SEP-2016

