



Dealers Industrial Equipment

No.:

Date: 23-SEP-2016

Customer :

TECHNICAL PROPOSAL

Three-phase induction motor - Squirrel cage rotor

Product line : W22 NEMA Premium - Ball Bearings

Catalog Number : 04018ET3E324TC-W22

List Price : \$4,300

Notes:

Downloaded from <http://dealerselectric.com>

Generated for Model #04018ET3E324TC-W22

Performed by:

Checked:



Dealers Industrial Equipment

No.:

Date: 23-SEP-2016

DATA SHEET Three-phase induction motor - Squirrel cage rotor

Customer :
 Product line : W22 NEMA Premium - Ball Bearings

Frame : 324T
 Output : 40 HP
 Frequency : 60 Hz
 Poles : 4
 Full load speed : 1775 rpm
 Slip : 1.39 %
 Voltage : 208-230/460 V
 Rated current : 104-94.2/47.1 A
 Locked rotor current : 575/287 A
 Locked rotor current (I_L/I_n) : 6.1
 No-load current : 32.0/16.0 A
 Full load torque : 117 lb.ft
 Locked rotor torque : 220 %
 Breakdown torque : 240 %
 Design : B
 Insulation class : F
 Temperature rise : 80 K
 Locked rotor time : 20 s (hot)
 Service factor : 1.25
 Duty cycle : S1
 Ambient temperature : -20°C - +40°C
 Altitude : 1000 m
 Degree of Protection : IP55
 Approximate weight : 492 lb
 Moment of inertia : 9.1624 sq.ft.lb
 Noise level : 66 dB(A)

	D.E.	N.D.E.
Bearings	6312 C3	6212 C3
Regreasing interval	20000 h	20000 h
Grease amount	21 g	13 g

Load	Power factor	Efficiency (%)
100%	0.85	94.1
75%	0.80	94.1
50%	0.72	93.6

Notes:
 Downloaded from <http://dealerselectric.com>
 Generated for Model #04018ET3E324TC-W22

Performed by

Checked



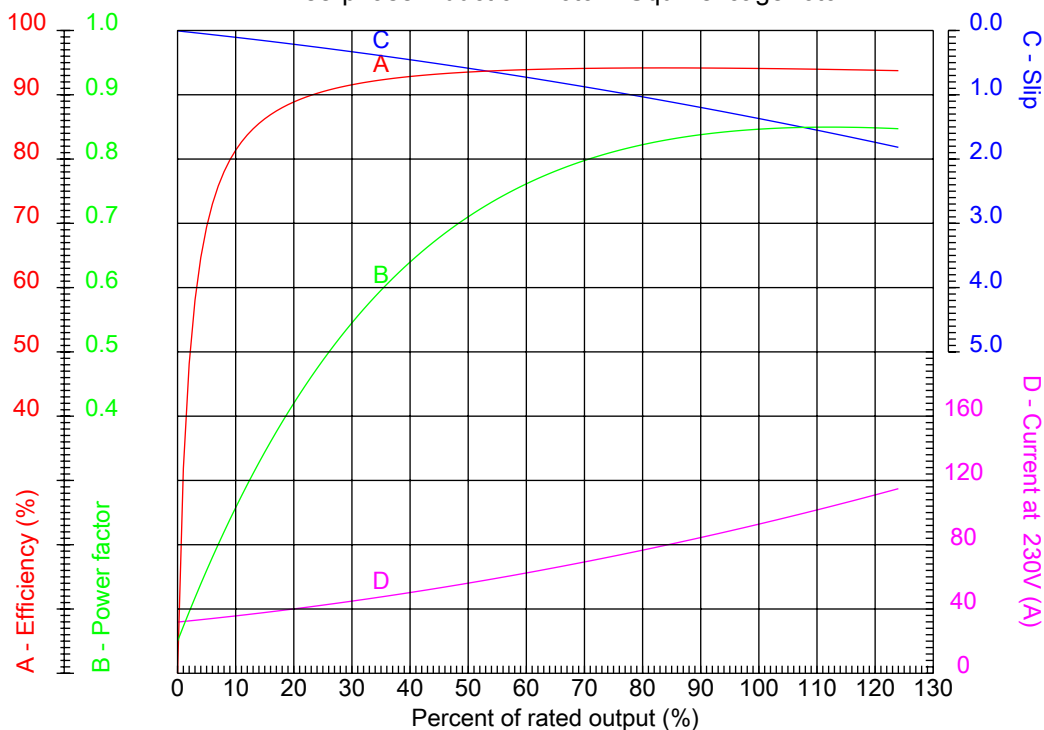
Dealers Industrial Equipment

No.:

Date: 23-SEP-2016

PERFORMANCE CURVES RELATED TO RATED OUTPUT

Three-phase induction motor - Squirrel cage rotor



Customer :
 Product line : W22 NEMA Premium - Ball Bearings

Frame : 324T	Locked rotor current (I _l /I _n) : 6.1
Output : 40 HP	Duty cycle : S1
Frequency : 60 Hz	Service factor : 1.25
Full load speed : 1775 rpm	Design : B
Voltage : 208-230/460 V	Locked rotor torque : 220 %
Rated current : 104-94.2/47.1 A	Breakdown torque : 240 %
Insulation class : F	

Notes:
 Downloaded from <http://dealerselectric.com>
 Generated for Model #04018ET3E324TC-W22

Performed by

Checked



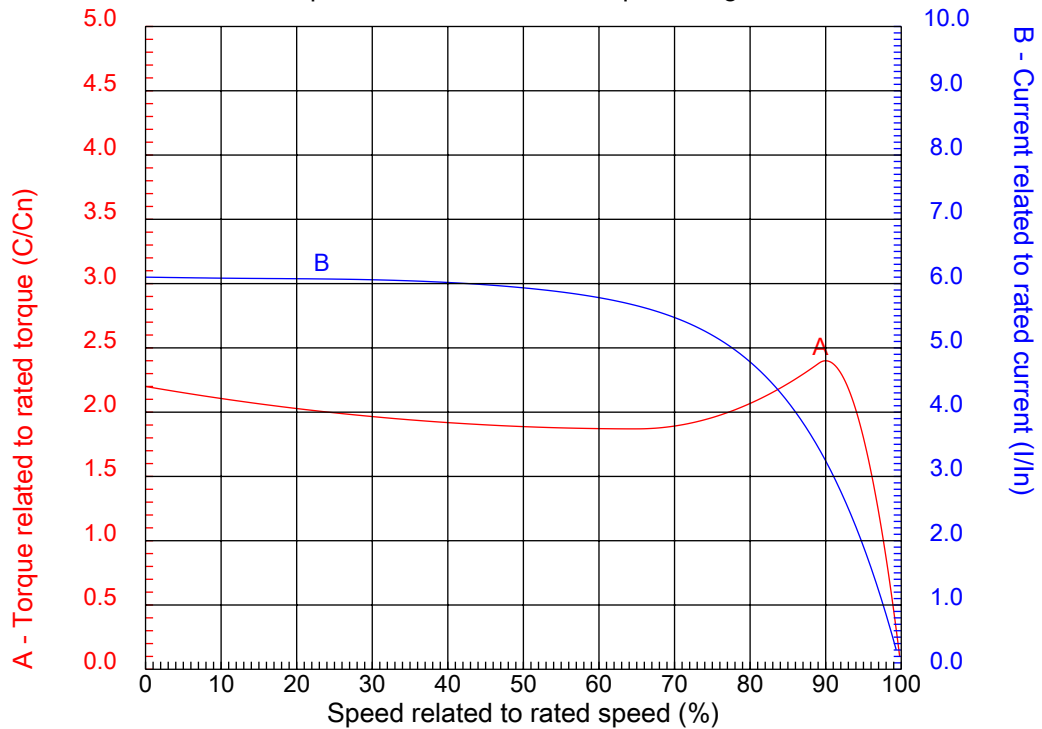
Dealers Industrial Equipment

No.:

Date: 23-SEP-2016

CHARACTERISTIC CURVES RELATED TO SPEED

Three-phase induction motor - Squirrel cage rotor



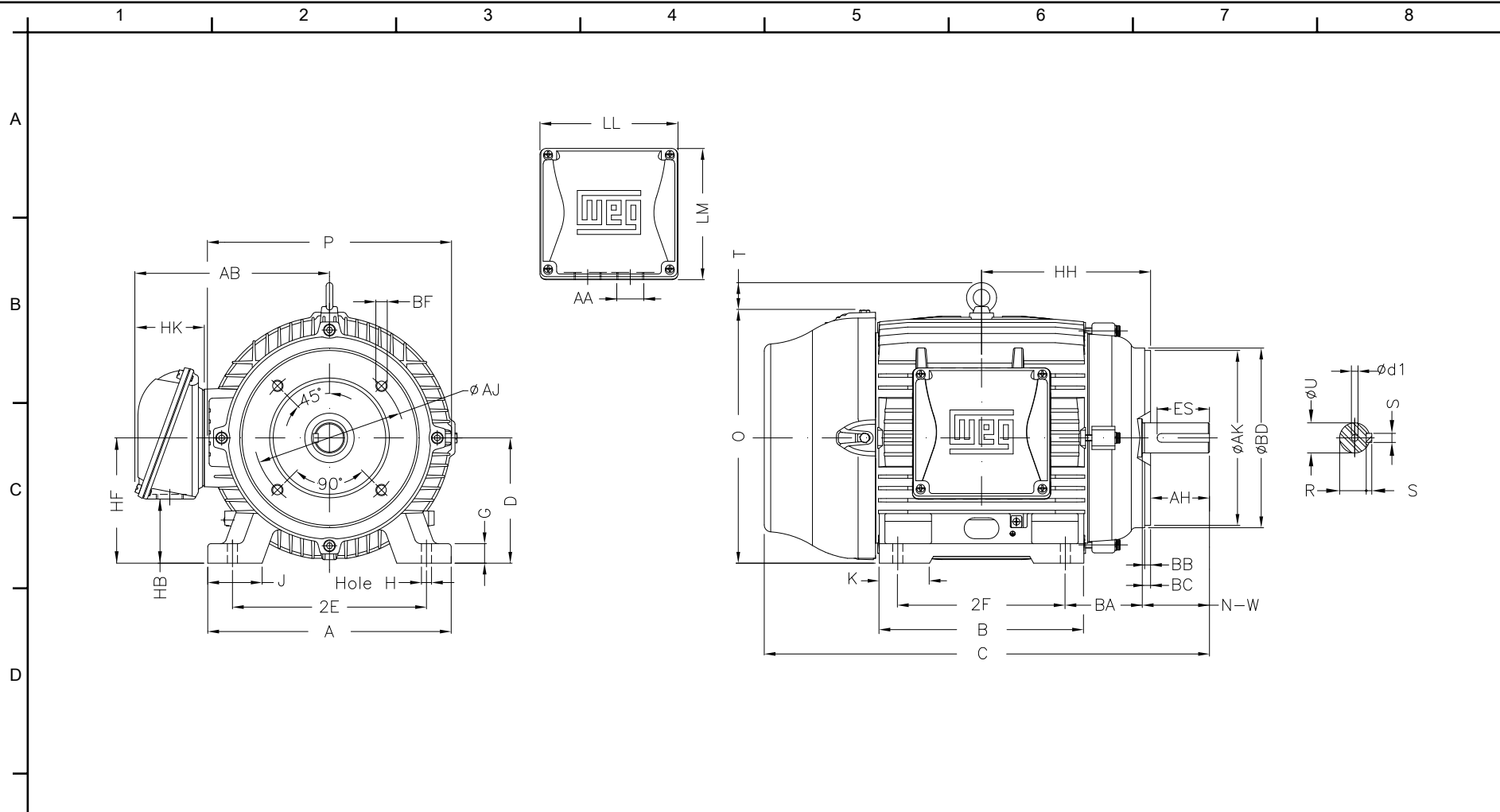
Customer :
Product line : W22 NEMA Premium - Ball Bearings

Frame	: 324T	Locked rotor current (I _l /I _n)	: 6.1
Output	: 40 HP	Duty cycle	: S1
Frequency	: 60 Hz	Service factor	: 1.25
Full load speed	: 1775 rpm	Design	: B
Voltage	: 208-230/460 V	Locked rotor torque	: 220 %
Rated current	: 104-94.2/47.1 A	Breakdown torque	: 240 %
Insulation class	: F		

Notes:
Downloaded from <http://dealerselectric.com>
Generated for Model #04018ET3E324TC-W22

Performed by

Checked



Notes: Downloaded from <http://dealerselectric.com>
 Generated for Model #04018ET3E324TC-W22

E	2E 12.500	J 3.189	A 15.157	P 15.827	AB 12.575
	2F 10.500	K 4.055	B 13.071	BA 5.250	FBA 8.738
	U 2.125	N-W 5.250	ES 3.937	S 0.500	R 1.844
	depth 0.500	D 8.000	G 1.300	HB 4.811	O 15.953
	T 2.441	HF 8.708	HH 10.500	HK 4.705	H 0.657
F	C 29.620	LL 9.055	LM 8.661	AA NPT 2"	d1 A 4
	Flange FC-279	AJ 11.000	AK 12.500	BD 13.580	BF UNC 5/8"x11
	BB 0.250	BC 0.250	AH 5.000		

Performed by:

Checked:

Customer:

W22 NEMA Premium - Ball Bearings

Three-phase induction motor
 Frame 324T - IP55

23-SEP-2016



1 2 3 4 5 6 7 8

A
B
C
D
E
F

LOW VOLTAGE

HIGH VOLTAGE



CONNECTIONS FOR STARTING ONLY:

LOW VOLTAGE

HIGH VOLTAGE



Notes: Downloaded from <http://dealerselectric.com>
Generated for Model #04018ET3E324TC-W22

Performed by:

Checked:

Customer:

W22 NEMA Premium - Ball Bearings

Three-phase induction motor
Frame 324T - IP55

23-SEP-2016

