



Dealers Industrial Equipment

No.:

Date: 23-SEP-2016

Customer :

TECHNICAL PROPOSAL

Three-phase induction motor - Squirrel cage rotor

Product line : Close Coupled Pump: Three-Phase - W22 "JM" Type - TEFC - High Efficiency

Catalog Number : 04018EP3H324JM-W22

List Price : \$>(discontinued)

Notes:

Downloaded from <http://dealerselectric.com>

Generated for Model #04018EP3H324JM-W22

Performed by:

Checked:



Dealers Industrial Equipment

No.:

Date: 23-SEP-2016

DATA SHEET

Three-phase induction motor - Squirrel cage rotor

Customer :
 Product line : Close Coupled Pump: Three-Phase - W22 "JM" Type - TEFC - High Efficiency

Frame : 324/6JM
 Output : 40 HP
 Frequency : 60 Hz
 Poles : 4
 Full load speed : 1770 rpm
 Slip : 1.67 %
 Voltage : 575 V
 Rated current : 38.1 A
 Locked rotor current : 228 A
 Locked rotor current (I_L/I_n) : 6.0
 No-load current : 13.6 A
 Full load torque : 117 lb.ft
 Locked rotor torque : 210 %
 Breakdown torque : 240 %
 Design : B
 Insulation class : F
 Temperature rise : 80 K
 Locked rotor time : 18 s (hot)
 Service factor : 1.25
 Duty cycle : S1
 Ambient temperature : -20°C - +40°C
 Altitude : 1000 m
 Degree of Protection : IP55
 Approximate weight : 463 lb
 Moment of inertia : 7.8534 sq.ft.lb
 Noise level : 69 dB(A)

	D.E.	N.D.E.
Bearings	6312 C3	6212 C3
Regreasing interval	20000 h	20000 h
Grease amount	21 g	13 g

Load	Power factor	Efficiency (%)
100%	0.85	93.0
75%	0.82	93.0
50%	0.74	92.4

Notes:
 Downloaded from <http://dealerselectric.com>
 Generated for Model #04018EP3H324JM-W22

Performed by

Checked



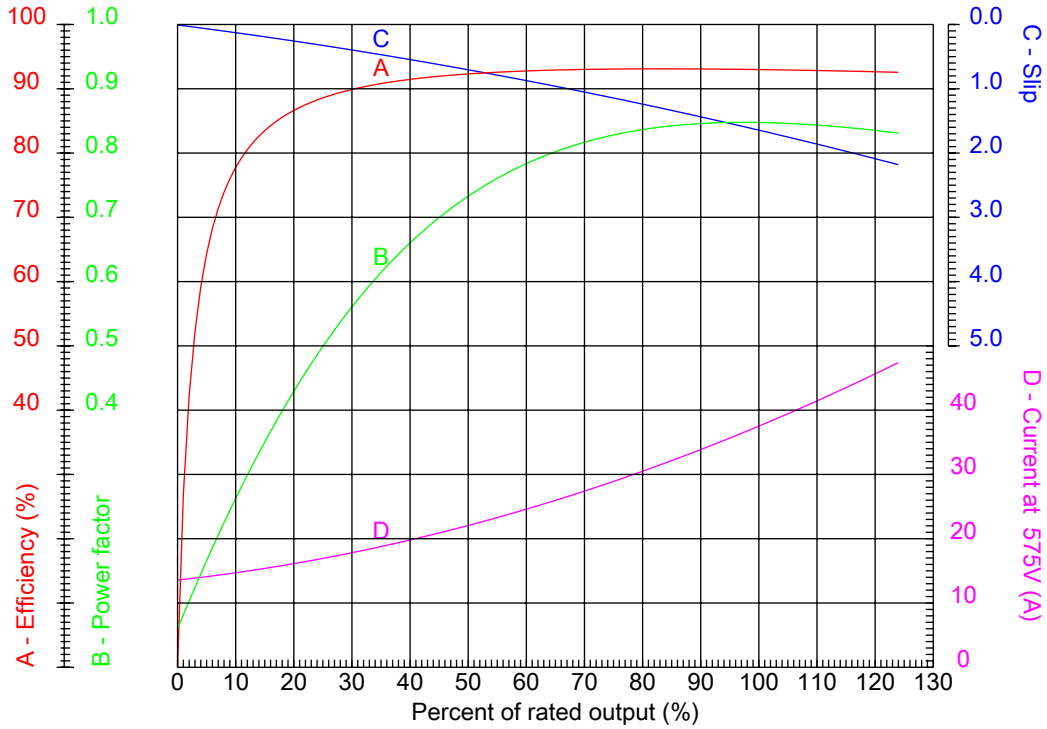
Dealers Industrial Equipment

No.:

Date: 23-SEP-2016

PERFORMANCE CURVES RELATED TO RATED OUTPUT

Three-phase induction motor - Squirrel cage rotor



Customer :
 Product line : Close Coupled Pump: Three-Phase - W22 "JM" Type - TEFC - High Efficiency

Frame	: 324/6JM	Locked rotor current (I _l /I _n)	: 6.0
Output	: 40 HP	Duty cycle	: S1
Frequency	: 60 Hz	Service factor	: 1.25
Full load speed	: 1770 rpm	Design	: B
Voltage	: 575 V	Locked rotor torque	: 210 %
Rated current	: 38.1 A	Breakdown torque	: 240 %
Insulation class	: F		

Notes:
 Downloaded from <http://dealerselectric.com>
 Generated for Model #04018EP3H324JM-W22

Performed by

Checked



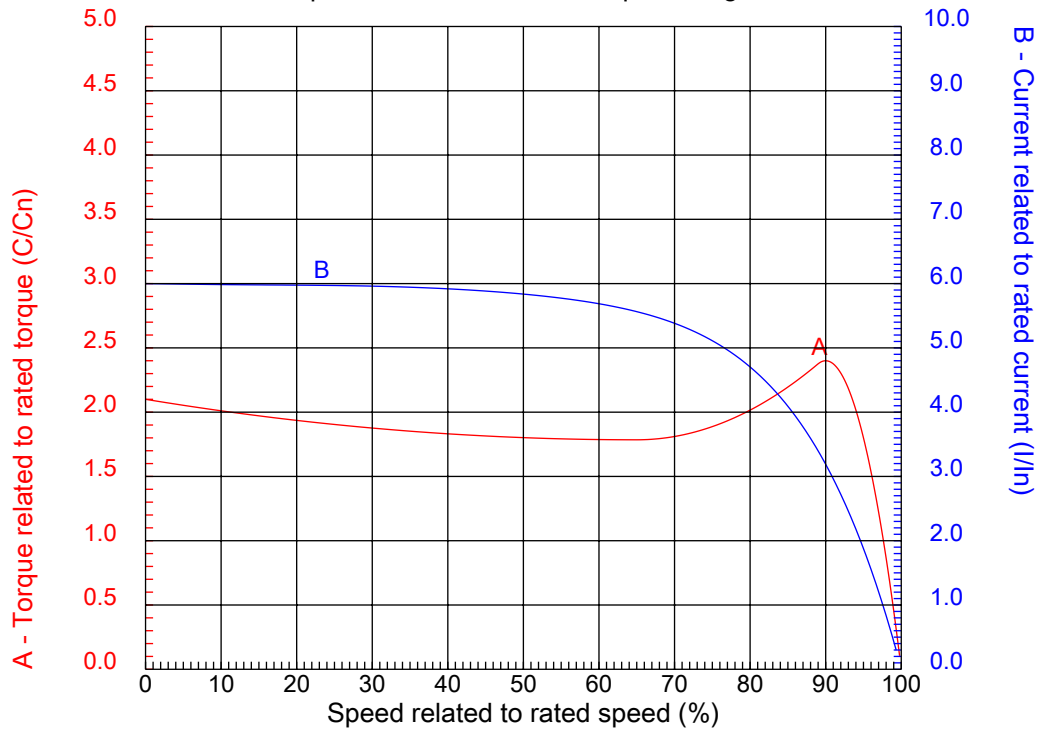
Dealers Industrial Equipment

No.:

Date: 23-SEP-2016

CHARACTERISTIC CURVES RELATED TO SPEED

Three-phase induction motor - Squirrel cage rotor



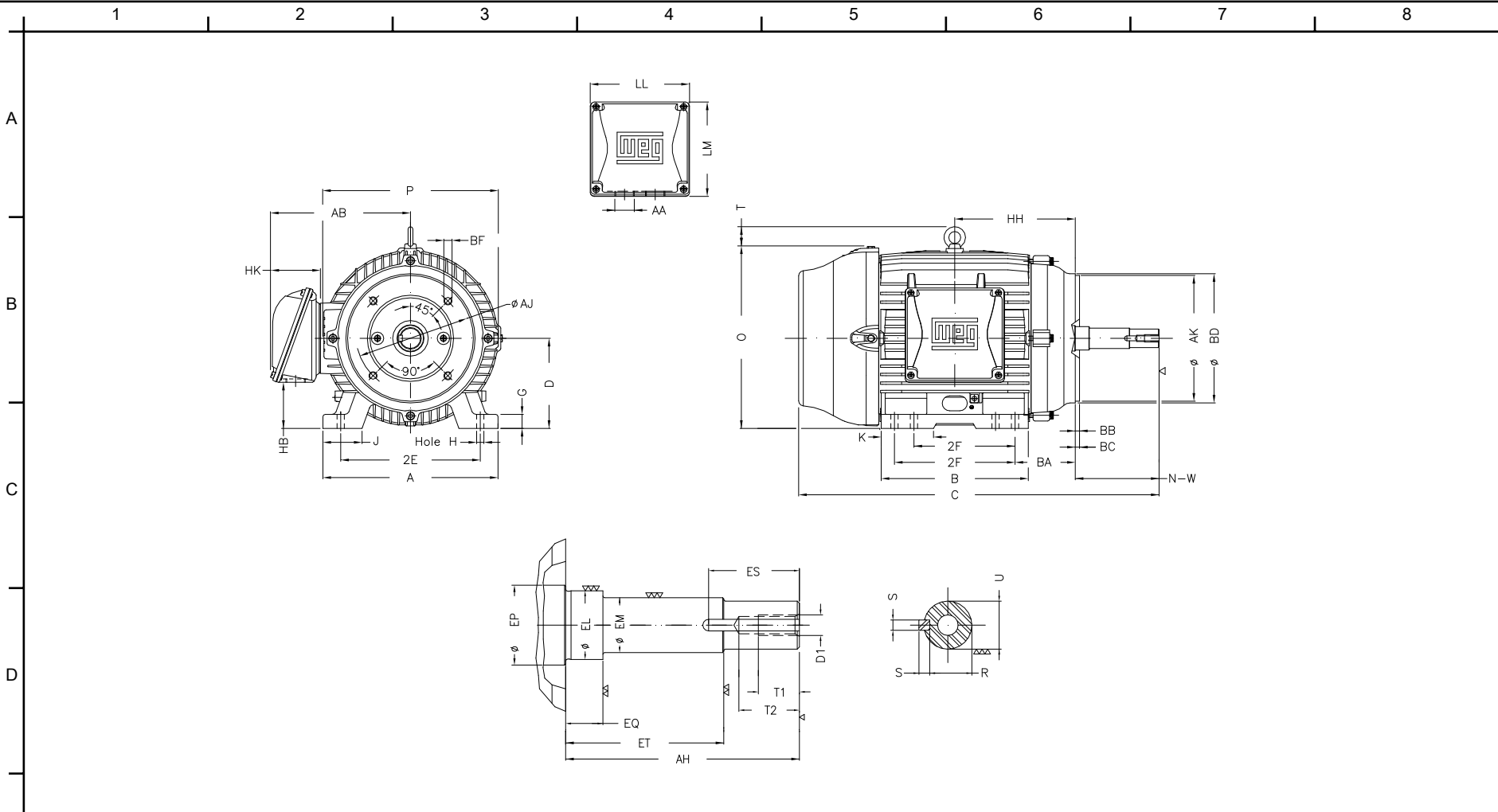
Customer :
Product line : Close Coupled Pump: Three-Phase - W22 "JM" Type - TEFC - High Efficiency

Frame	: 324/6JM	Locked rotor current (I _l /I _n)	: 6.0
Output	: 40 HP	Duty cycle	: S1
Frequency	: 60 Hz	Service factor	: 1.25
Full load speed	: 1770 rpm	Design	: B
Voltage	: 575 V	Locked rotor torque	: 210 %
Rated current	: 38.1 A	Breakdown torque	: 240 %
Insulation class	: F		

Notes:
Downloaded from <http://dealerselectric.com>
Generated for Model #04018EP3H324JM-W22

Performed by

Checked



Notes: Downloaded from <http://dealerselectric.com>
 Generated for Model #04018EP3H324JM-W22

2E	J	A	P	AB
12.500	3.189	15.157	15.827	12.575
2F	K	B	BA	D
10.500/12.000	4.055	14.567	5.250	8.000
G	O	T	H	AA
1.300	15.953	2.441	0.657	NPT 2"
EQ	ET	U	EM	EL
0.630	3.006	1.249	1.375	1.750
EP	ES	t1	t2	C
2.360	2.480	0.984	1.496	29.645
d1	HH	HK	HB	LL
EUNC 1/2"-13	11.250	4.705	4.811	9.055
LM	S	R	Flange	AJ
8.661	0.250	1.110	FC-279	11.000
AK	BD	BF	BB	AH
12.500	13.593	UNC 5/8"x11	0.248	5.250

Performed by:


Checked:

Customer:

Close Coupled Pump: Three-Phase - W22 "JM" Type - TEFC - High Efficiency

Three-phase induction motor
 Frame 324/6JM - IP55

23-SEP-2016



1 2 3 4 5 6 7 8

A

B

C

D

E

F



Notes: Downloaded from <http://dealerselectric.com>
Generated for Model #04018EP3H324JM-W22

Performed by:

Checked:

Customer:

Close Coupled Pump: Three-Phase - W22 "JM" Type - TEFC - High Efficiency

Three-phase induction motor
Frame 324/6JM - IP55

23-SEP-2016

